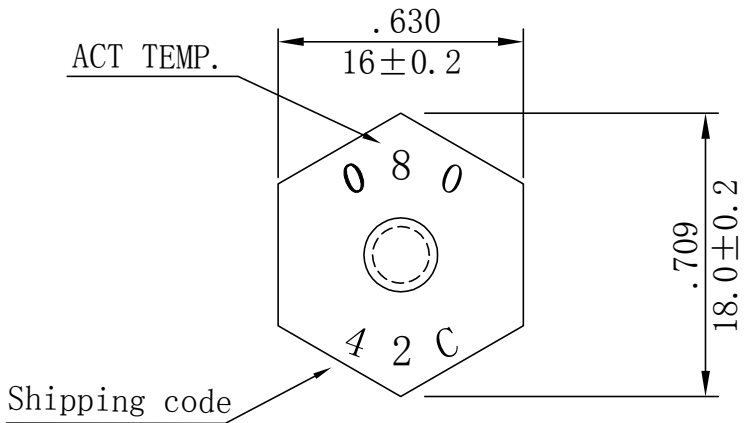


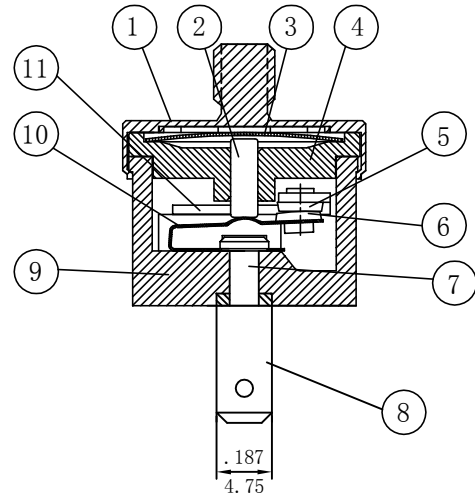
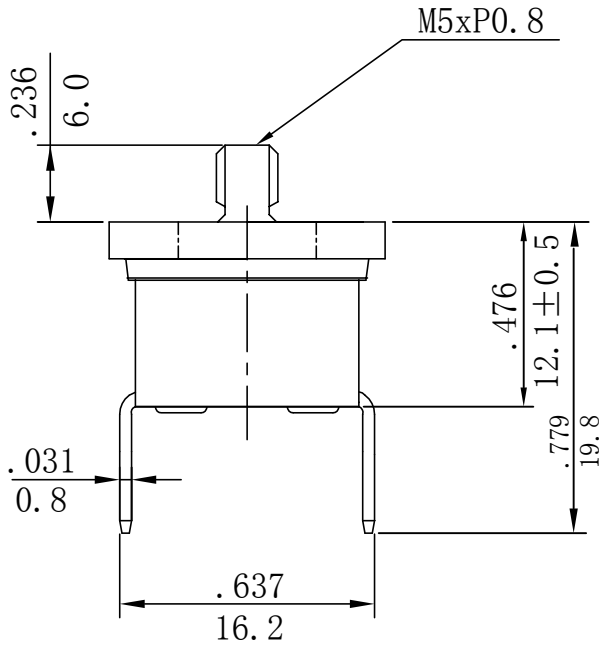
	PARTS NAME	MATERIAL	UL FLAME GRADE
1	Sensing cap	Brass chrome plating	
2	Actuating pin	Ceramic	
3	Bimetal disc	Bimetal	
4	Retainer	Phenolic	94V-0
5	Contact-F	Silver alloy	
6	Contact-R	Silver alloy	
7	Rivet	Copper	
8	Terminal	Brass tin plated	
9	Case	Phenolic	94V-0
10	Movable arm	Beryllium copper	
11	Stationary arm	Brass	

## SPECIFICATIONS

- \* CONTACT TYPE : Normally Closed
- \* ACTION TEMP :  $80^{\circ}\text{C} \pm 3^{\circ}\text{C}$
- \* RESET TEMP :  $70^{\circ}\text{C} \pm 4^{\circ}\text{C}$
- \* TERMINAL SIZE : Amp #187 TAB
- \* CIRCUIT RESISTANCE :  $50\text{m}\Omega$  MAX.
- \* INSULATION RESISTANCE :  $100\text{M}\Omega$  min. at DC 500V
- \* DIELECTRIC STRENGTH : AC 1450V For One Minute  
Or AC 1800V For One Sec
- \* ELECTRICAL RATING : 16A 250VAC\15A 125VAC  
10A 250VAC
- \* APPROVALS: UL/CUL CQC TUV
- \* OPERATING LIFE : 10,000 Cycles :16A 250VAC  
100,000 Cycles :10A 250VAC/15A 125VAC



4 2 C  
N. C.  
February  
2024 Year  
Shipping code



inch  
mm

Scale 2:1 (mm)

勝特力電材超市-龍山店 886-3-5773766  
勝特力電材超市-光復店 886-3-5729570  
勝特力電子(上海) 86-21-34970699  
勝特力電子(深圳) 86-755-83298787  
<http://www.100y.com.tw>

SERIES T24 CODE T24A080AHR1-10

UNIT mm CUSTOMER

DWG CHK SALE APP

Content

Revise

XIR