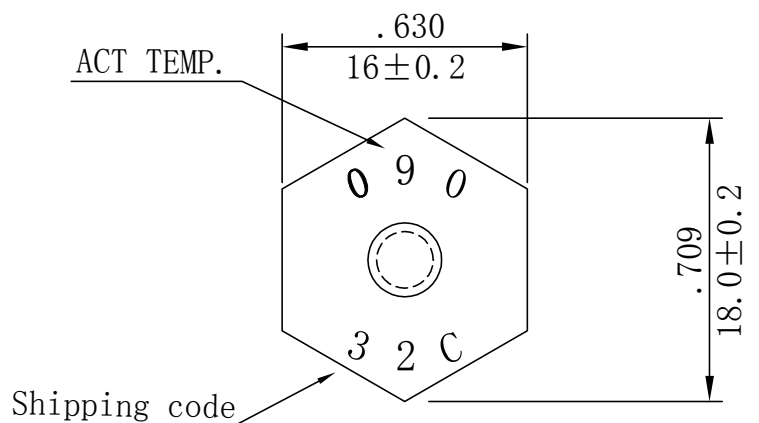


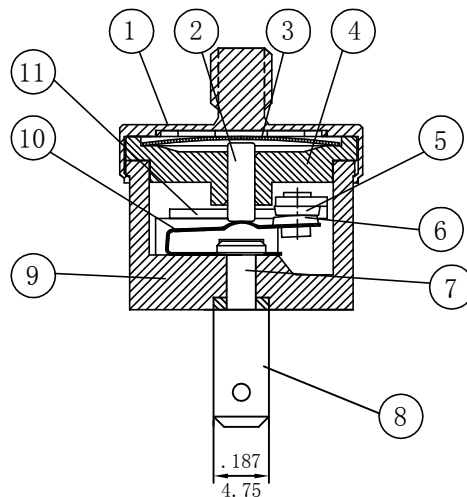
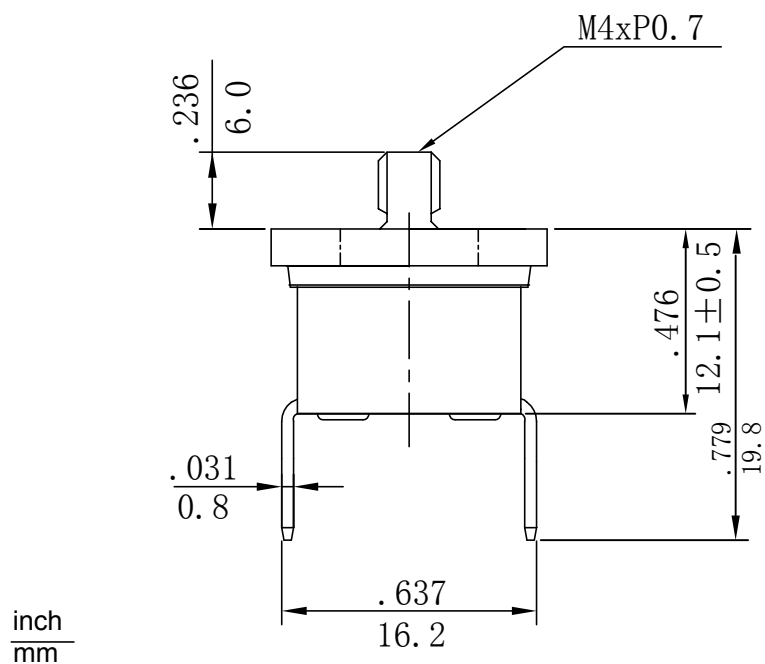
| | PARTS NAME | MATERIAL | UL FLAME GRADE |
|----|----------------|----------------------|----------------|
| 1 | Sensing cap | Brass chrome plating | |
| 2 | Actuating pin | Ceramic | |
| 3 | Bimetal disc | Bimetal | |
| 4 | Retainer | Phenolic | 94V-0 |
| 5 | Contact-F | Silver alloy | |
| 6 | Contact-R | Silver alloy | |
| 7 | Rivet | Copper | |
| 8 | Terminal | Brass tin plated | |
| 9 | Case | Phenolic | 94V-0 |
| 10 | Movable arm | Beryllium copper | |
| 11 | Stationary arm | Brass | |

SPECIFICATIONS

- * CONTACT TYPE : Normally Closed
- * ACTION TEMP : 090 ° C ± 3 ° C
- * RESET TEMP : 080 ° C ± 4 ° C
- * TERMINAL SIZE : Amp #187 TAB
- * CIRCUIT RESISTANCE : 50mΩ MAX.
- * INSULATION RESISTANCE : 100MΩ min. at DC 500V
- * DIELECTRIC STRENGTH : AC 1450V For One Minute
Or AC 1800V For One Sec
- * ELECTRICAL RATING : 16A 250VAC\15A 125VAC
10A 250VAC
- * APPROVALS: UL/CUL CQC TUV
- * OPERATING LIFE : 10,000 Cycles :16A 250VAC
100,000 Cycles :10A 250VAC/15A 125VAC



3 2 C
N. C.
February
2023 Year
Shipping code



Scale 2:1 (mm)

勝特力電材超市-龍山店 886-3-5773766
勝特力電材超市-光復店 886-3-5729570
勝特力電子(上海) 86-21-34970699
勝特力電子(深圳) 86-755-83298787
<http://www.100y.com.tw>

SERIES T24 CODE T24A090AHR1-10

UNIT mm CUSTOMER

DWG CHK SALE APP

Content

Revise

XIR