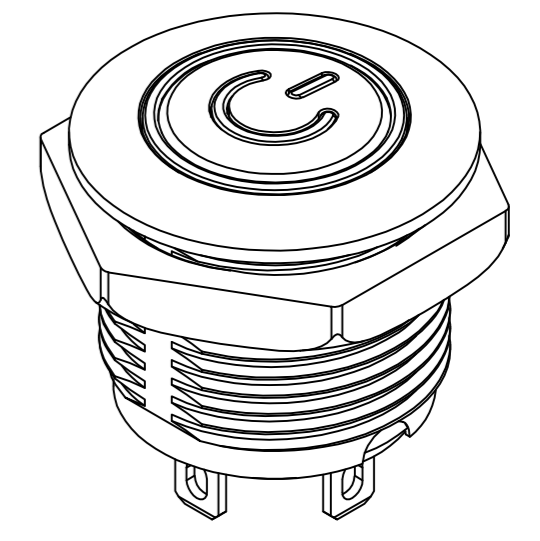
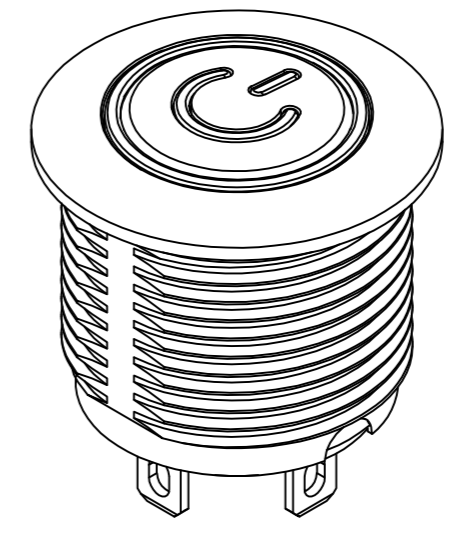


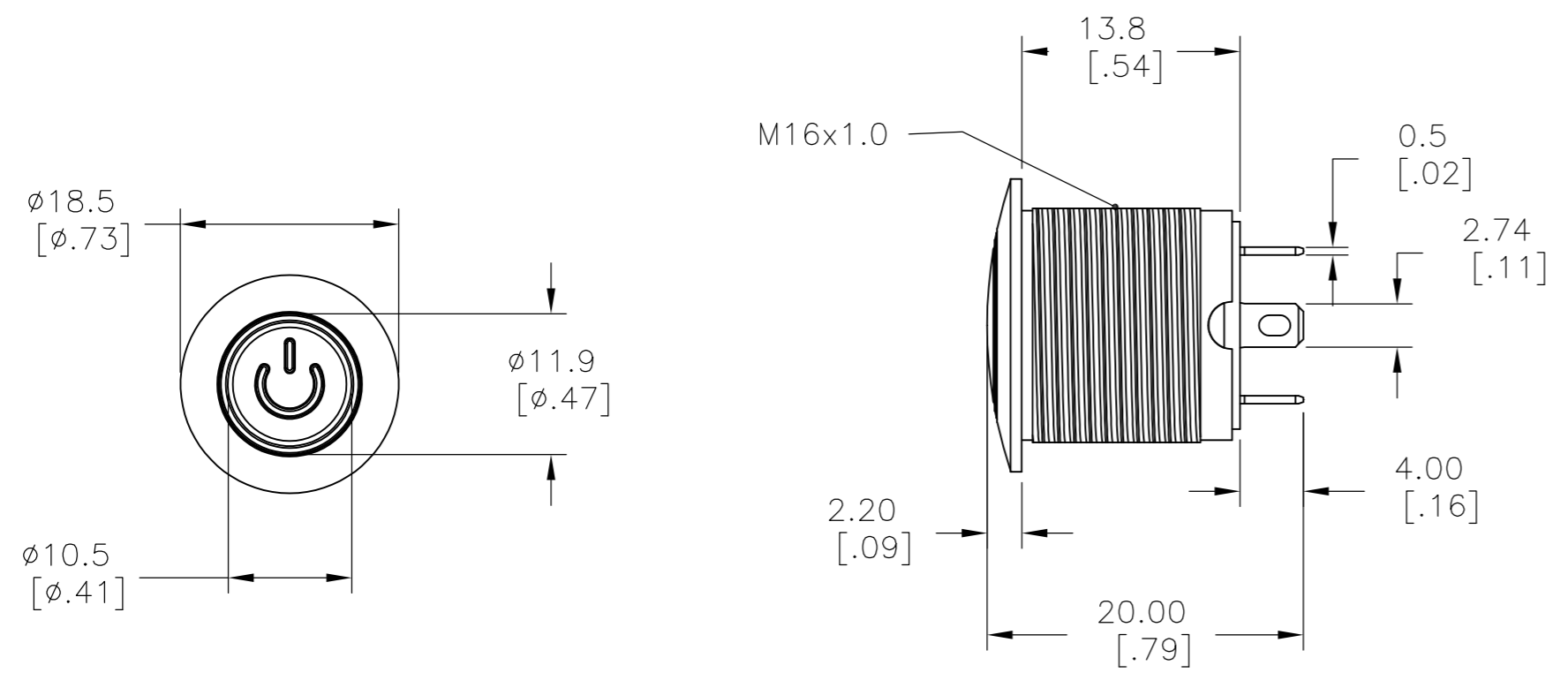
THIS DRAWING IS UNPUBLISHED. RELEASED FOR PUBLICATION
 © COPYRIGHT - By - ALL RIGHTS RESERVED.

REVISIONS					
P	LTR	DESCRIPTION	DATE	DWN	APVD
A1		REVISED PER ECR-16-010858	09AUG2016	RS	PO

勝特力電材超市-龍山店 886-3-5773766
 勝特力電材超市-光復店 886-3-5729570
 勝特力电子(上海) 86-21-34970699
 勝特力电子(深圳) 86-755-83298787
<http://www.100y.com.tw>



ASSEMBLED VIEW



SPECIFICATIONS

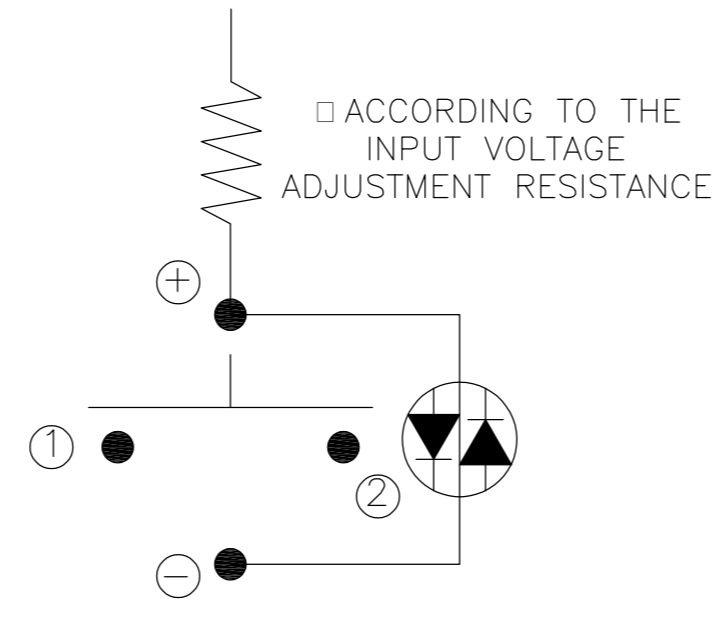
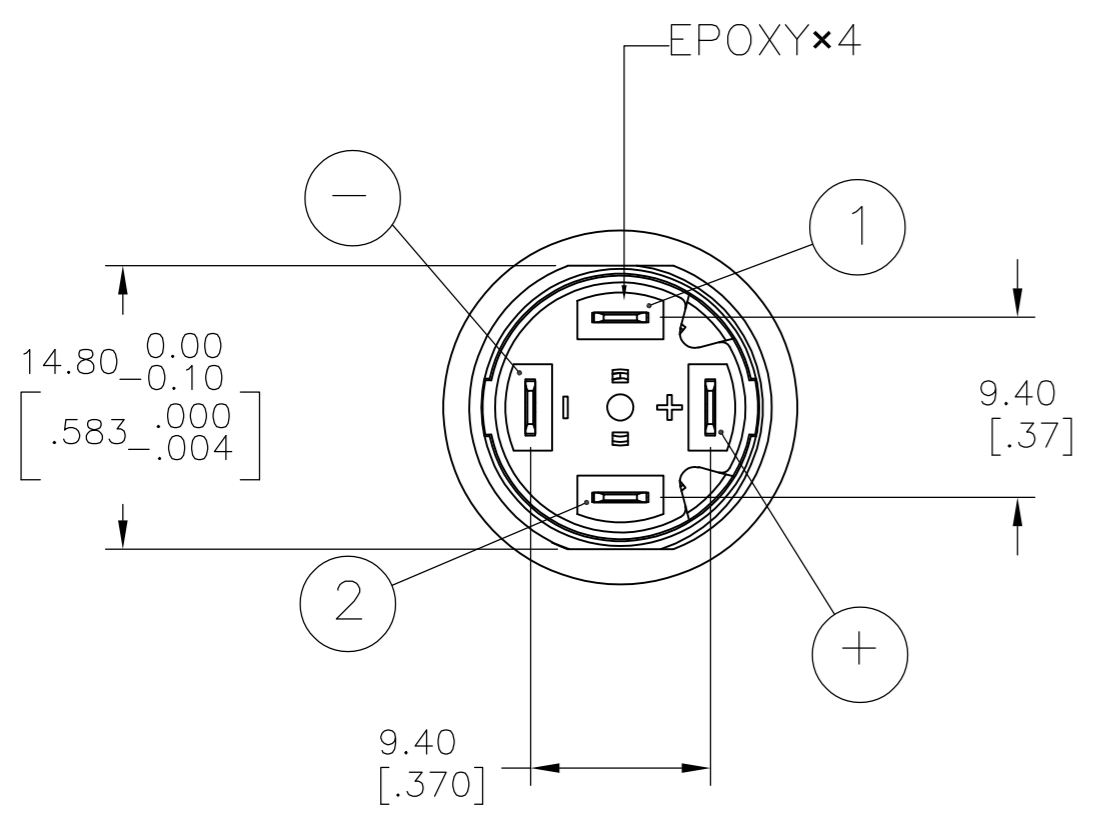
CONTACT RATING: 2A @ 36 VDC RESISTIVE
 INSULATION RESISTANCE: 1,000MΩ MIN AT 500VDC
 DIELECTRIC STRENGTH: 2,000V RMS @ SEA LEVEL
 CONTACT RESISTANCE: 50 mΩ MAX
 ELECTRICAL LIFECYCLES: 200,000 MAKE AND BREAK CYCLES AT FULL LOAD

ACTUATION FORCE: 4.5±1.5 NEWTONS
 ACTUATION TRAVEL: 2.0MM±0.20MM
 OPERATING TEMPERATURE: -20°C TO +70°C
 MECHANICAL LIFECYCLES: 1,000,000 CYCLES
 HARDWARE TORQUE: 1.15 N-m MAX
 SEALED PER IP67

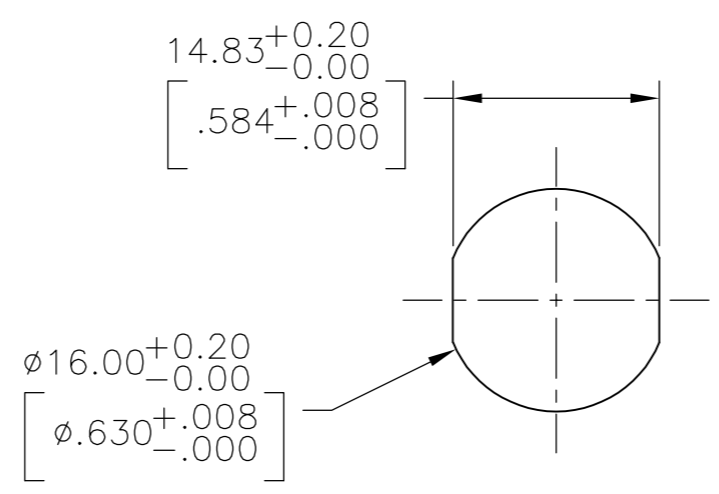
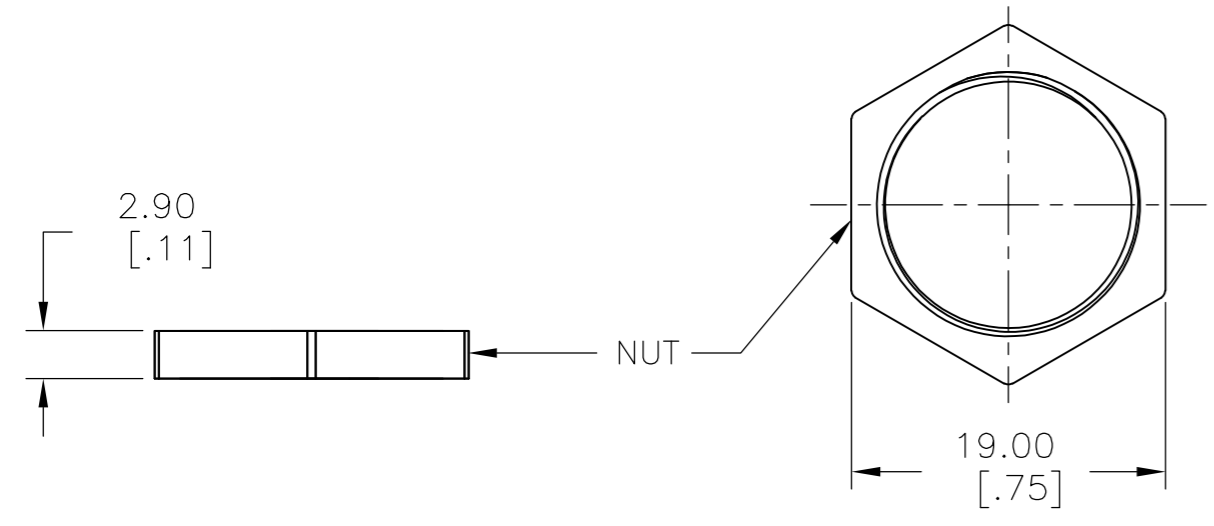
MATERIALS

BUSHING: ALUMINUM ALLOY
 BASE: PBT (BLUE UL 94-V0)
 ACTUATOR: PC (TRANSLUCENT UL 94-V2)
 SEALING: O-RING (SILICONE)
 TERMINAL: BRASS, GOLD FLASH PLATED
 CONTACT: COPPER BASE, SILVER PLATED
 HEX NUT: BRASS BASE, NICKEL PLATED

1 ALL MATERIAL AND FINISHES SHALL COMPLY WITH EU DIRECTIVE 2002/95/EC OF 27JAN2003 (ROHS)



SCHMATIC



PANEL CUTOUT THICKNESS: 8.0[.315] MAX.

THIS DRAWING IS A CONTROLLED DOCUMENT.		DWN NAGALAKSHMI K 08FEB2016		
DIMENSIONS: mm [INCHES]		CHK HILL RYAN 08FEB2016		
TOLERANCES UNLESS OTHERWISE SPECIFIED:		APVD HILL RYAN 08FEB2016	NAME ANTI-VANDAL SWITCH 16mm POWER LOGO LED	
0 PLC ± -		PRODUCT SPEC	SIZE A2	
1 PLC ± -		APPLICATION SPEC	CAGE CODE 00779	
2 PLC ± -			DRAWING NO C=2213775	
3 PLC ± -			RESTRICTED TO	
4 PLC ± -				
ANGLES ± -				
FINISH		WEIGHT 0		
		CUSTOMER DRAWING	SCALE 1:1 SHEET 1 OF 2 REV A1	

THIS DRAWING IS UNPUBLISHED. RELEASED FOR PUBLICATION
 © COPYRIGHT - By - ALL RIGHTS RESERVED.

REVISIONS				
P	LTR	DESCRIPTION	DATE	APVD
-	-	SEE SHEET 1	-	-

SINGLE POLE-MOMENTARY	BLUE	24V	AV1610P724R04	1-2213775-0
	BLUE	12V	AV1610P712R04	2213775-9
	GREEN	24V	AV1610P624R04	2213775-8
	GREEN	12V	AV1610P612R04	2213775-7
	YELLOW	24V	AV1610P524R04	2213775-6
	YELLOW	12V	AV1610P512R04	2213775-5
	RED	24V	AV1610P324R04	2213775-4
	RED	12V	AV1610P312R04	2213775-3
	WHITE	24V	AV1610P124R04	2213775-2
	WHITE	12V	AV1610P112R04	2213775-1
POLE/THROW	LED COLOR	LED VOLTAGE	TE DESCRIPTIVE PN	TE PART NUMBER

THIS DRAWING IS A CONTROLLED DOCUMENT.		DWN 08FEB2016 NAGALAKSHMI K	STE TE Connectivity	
DIMENSIONS: mm [INCHES]		CHK 08FEB2016 HILL RYAN		
TOLERANCES UNLESS OTHERWISE SPECIFIED:		APVD 08FEB2016 HILL RYAN	NAME ANTI-VANDAL SWITCH 16mm POWER LOGO LED	
0 PLC ± - 1 PLC ± - 2 PLC ± - 3 PLC ± - 4 PLC ± - ANGLES ± -		PRODUCT SPEC -	SIZE CAGE CODE DRAWING NO RESTRICTED TO A2 00779 C=2213775 -	
MATERIAL -	FINISH -	WEIGHT -	SCALE 1:1 SHEET 2 OF 2 REV A1	
CUSTOMER DRAWING				

2213775