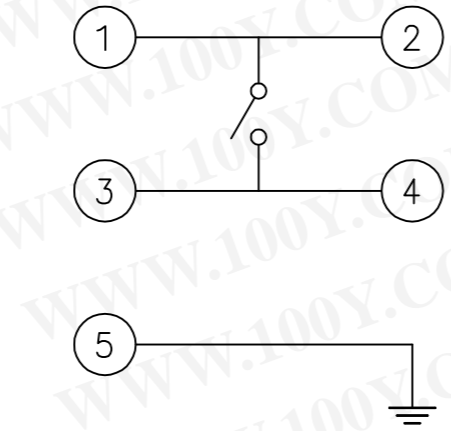
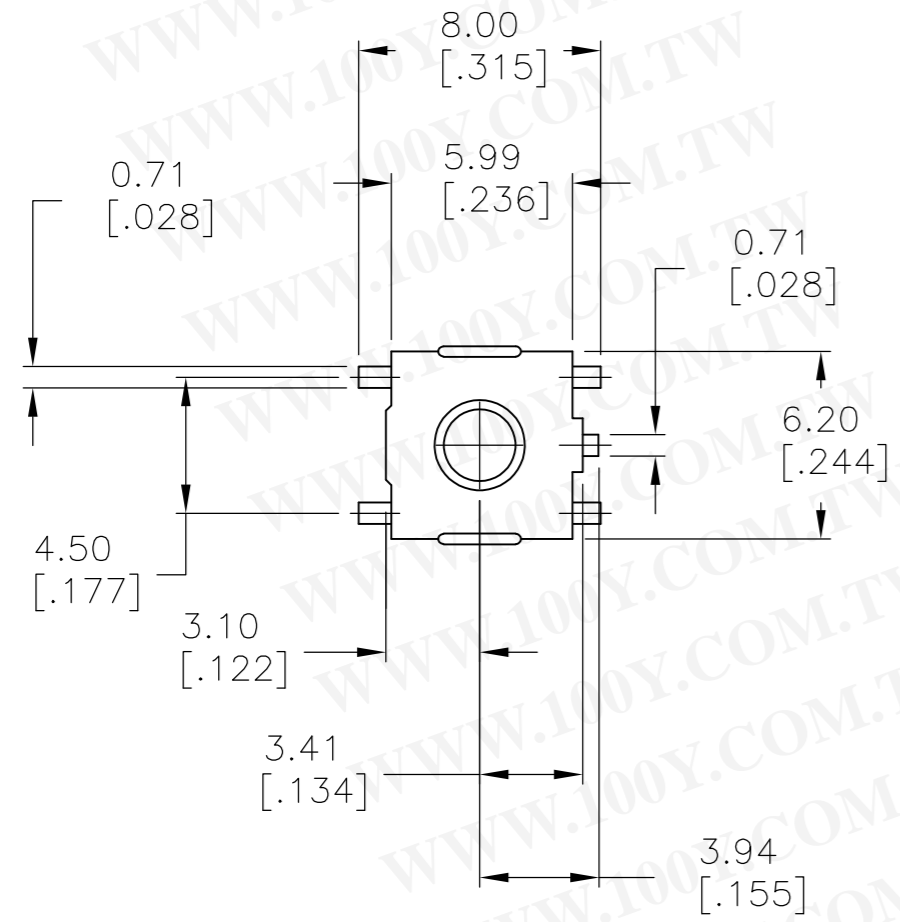
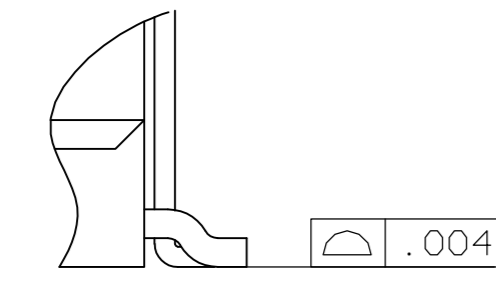
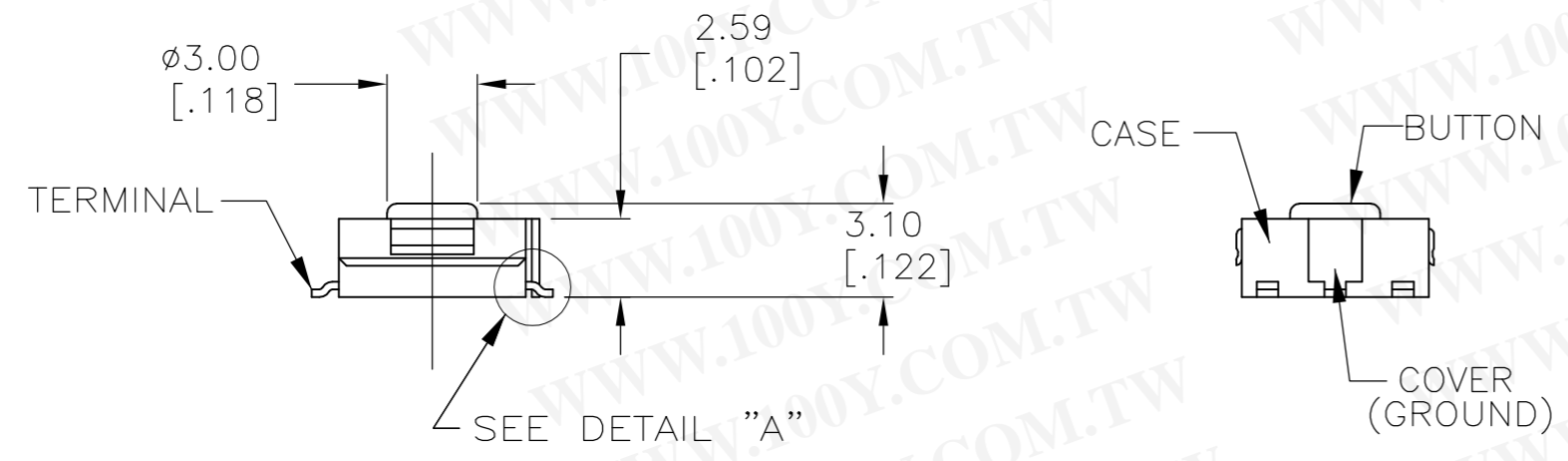


THIS DRAWING IS UNPUBLISHED. RELEASED FOR PUBLICATION
 © COPYRIGHT - By - ALL RIGHTS RESERVED.

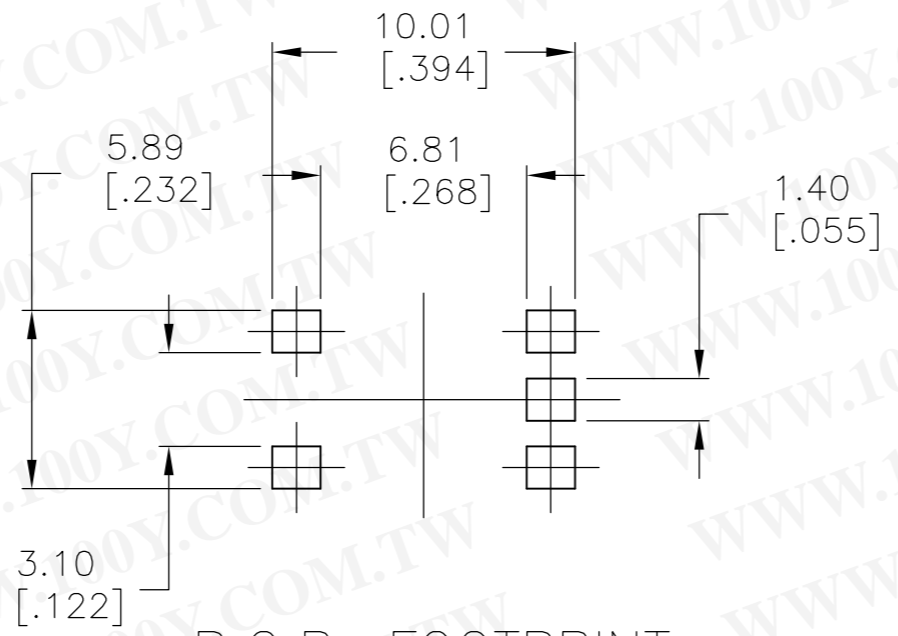
LOC		DIST		REVISIONS			
AD	00	P	LTR	DESCRIPTION	DATE	DWN	APVD
		D3		REVISED PER ECO-14-014370	23SEP2014	NK	RH



CIRCUIT DIAGRAM



DETAIL "A"
SCALE 15:1



P.C.B. FOOTPRINT

SPECIFICATIONS:

CASE: PPS, 94V0, BLACK.
 COVER: COPPER ALLOY-TIN PLATE.
 ACTUATOR BUTTON: SEE TABLE, COLOR: SEE TABLE.
 MOVING CONTACT: COPPER ALLOY, SILVER FINISH.
 FIXED CONTACT/TERMINAL: COPPER ALLOY, SILVER FINISH.

ELECTRICAL:
 MAX CONTACT RATING: 50MILLIAMPS@24V DC
 MIN CONTACT RATING: 10MICROAMPS@1V DC
 CONTACT RESISTANCE: 100 MILLIOHMS MAX.
 INSULATION RESISTANCE: 100 MEGOHMS MIN. @ 100 VDC.
 DIELECTRIC STRENGTH: 500 VAC 50/60 HZ FOR 1 MINUTE
 LIFE EXPECTANCY: 100,000 CYCLES.

MECHANICAL:
 ACTUATION FORCE: SEE CHART.
 ACTUATION TRAVEL: 0.25 +0.20/-0.10 [.010 +.008/-0.004]

ENVIRONMENTAL:
 OPERATING TEMPERATURE: -35°C TO +85°C
 STORAGE TEMPERATURE: -35°C TO +85°C
 SOLDER HEAT RESISTANCE PER 109-201, COND B.

SOLDERABILITY:
 SPECIFICATION EIA-364-52, CLASS 1, CATEGORY 2

- ALL MATERIALS AND FINISHES SHALL COMPLY WITH EU DIRECTIVE 2002/95/EC OF 27JAN2003 (ROHS)
- TAPE AND REEL PACKAGING PER EIA-481

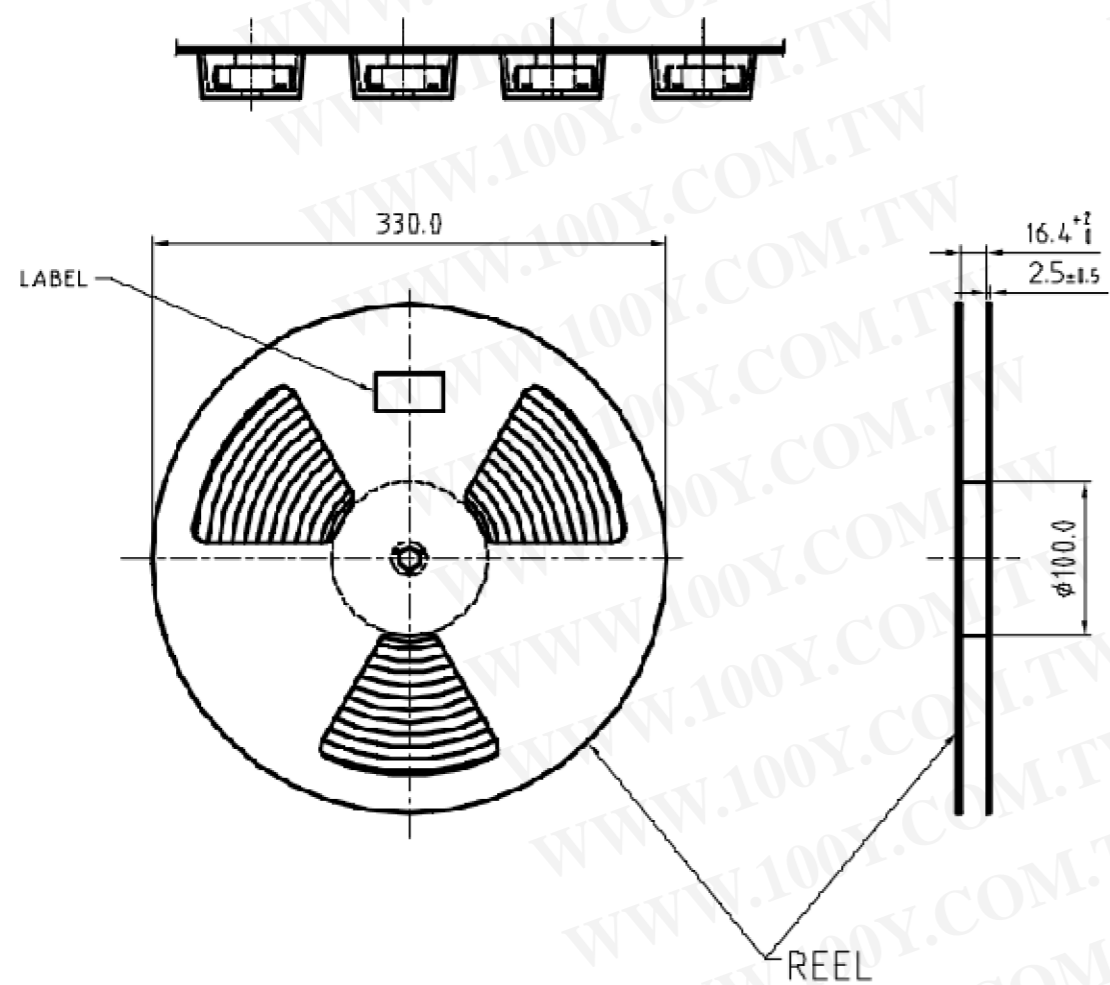
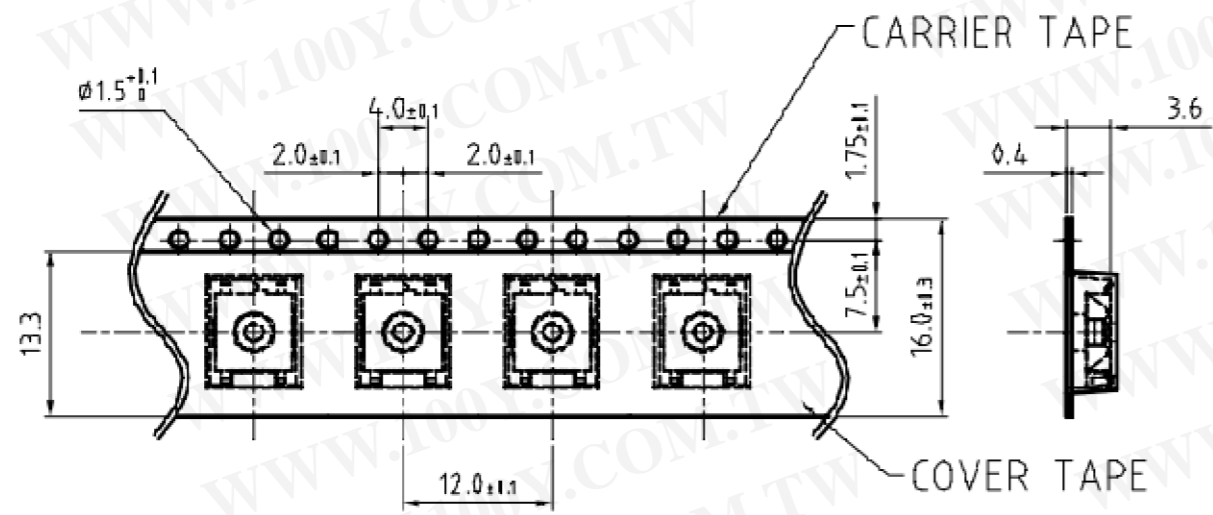
勝特力材料 886-3-5753170
勝特力电子(上海) 86-21-34970699
勝特力电子(深圳) 86-755-83298787
[Http://www.100y.com.tw](http://www.100y.com.tw)

PART NUMBER	PART NUMBER	ACTUATOR MATERIAL	ACTUATOR BUTTON COLOR	ACTUATION FORCE	PACKAGING
1-1437565-6	FSM1LP	PPA UL94HB	BLACK	160 ±50 gm.	BULK
1-1437565-9	FSM1LPTR	PPA UL94HB	BLACK	160 ±50 gm.	TAPE & REEL
1-1437565-7	FSM1LPA	PPS UL94V-0	BROWN	260 ±50 gm.	BULK
1-1437565-8	FSM1LPATR	PPS UL94V-0	BROWN	260 ±50 gm.	TAPE & REEL

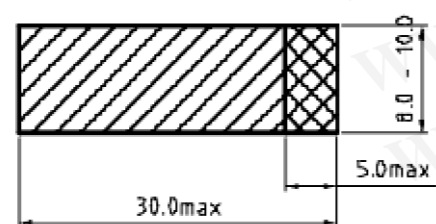
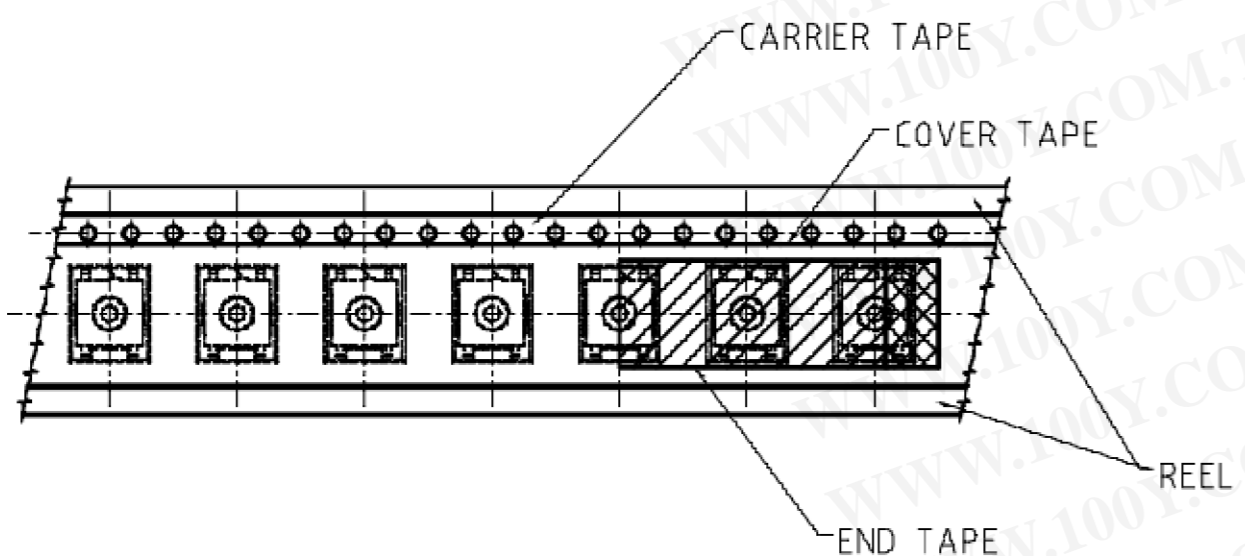
THIS DRAWING IS A CONTROLLED DOCUMENT.		DWN	13MAR2007	STE TE Connectivity	
DIMENSIONS: mm [INCHES]		CHK	20MAR2007		
TOLERANCES UNLESS OTHERWISE SPECIFIED:		APVD	M.SARVER	TACTILE SWITCH FSM1LP	
0 PLC ± -		PRODUCT SPEC	M.SARVER		
1 PLC ± -		APPLICATION SPEC	-	SIZE	A2
2 PLC ± 0.30[.012]		WEIGHT	-	CAGE CODE	00779
3 PLC ± -		MATERIAL	-	DRAWING NO	C=1-1437565-8
4 PLC ± -		FINISH	-	RESTRICTED TO	-
ANGLES ± -		CUSTOMER DRAWING		SCALE	4:1
FINISH ± -				SHEET	1 of 2
				REV	D3

THIS DRAWING IS UNPUBLISHED. RELEASED FOR PUBLICATION
 © COPYRIGHT - By - ALL RIGHTS RESERVED.

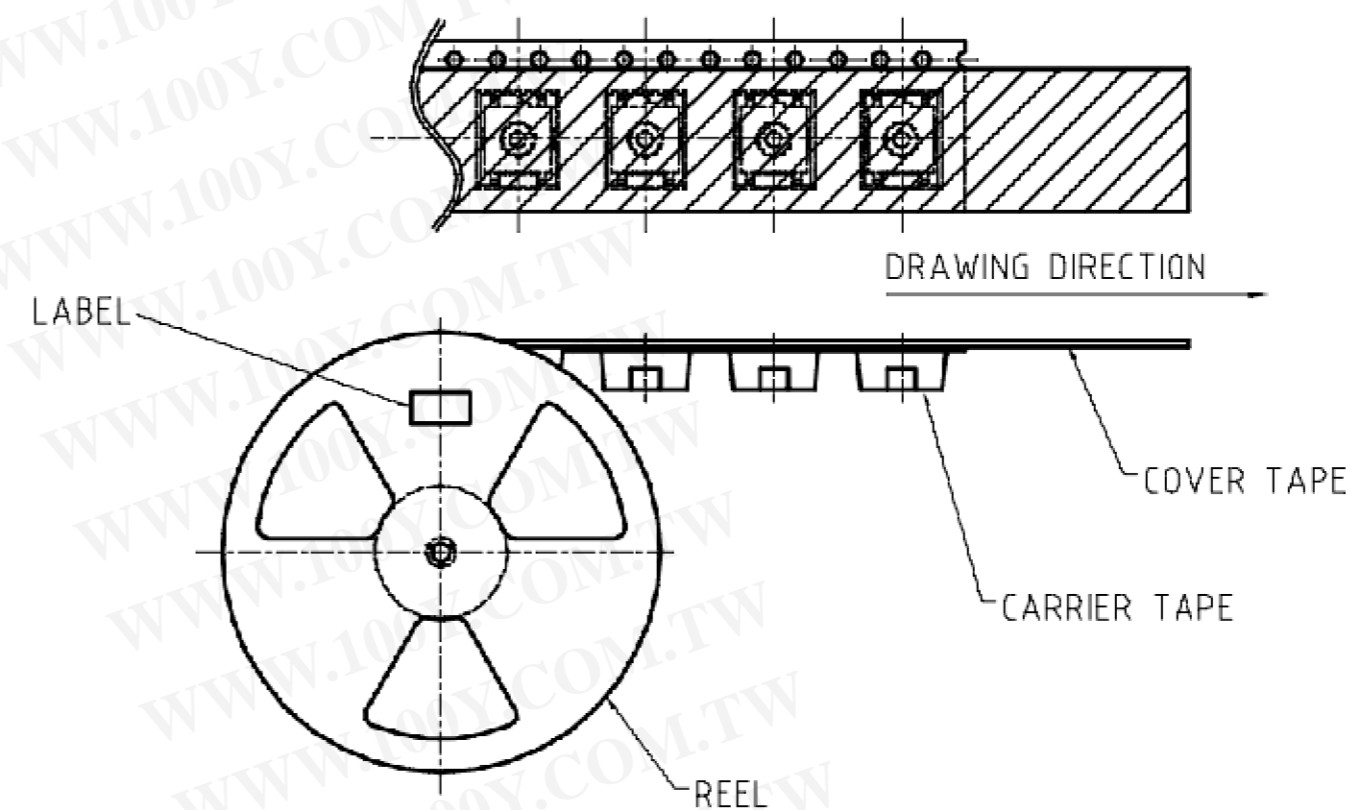
LOC	DIST	REVISIONS				
AD	00	P	LTR	DATE	DWN	APVD
		SEE SHEET 1			-	-



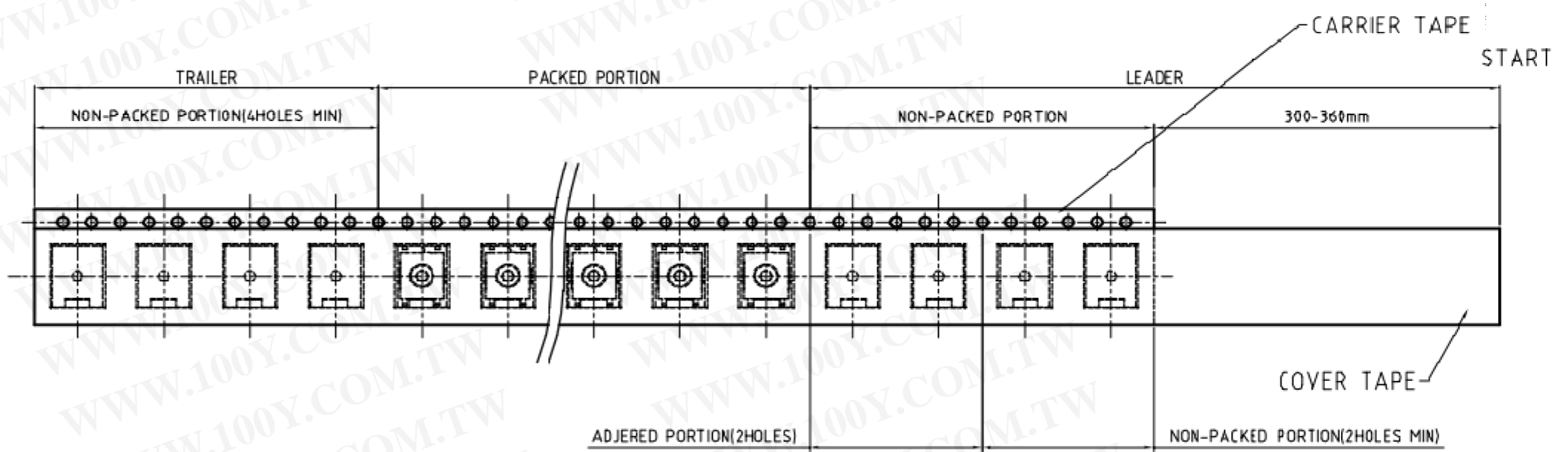
-THE DIMENSION OF CARRIER TAPE, COVER TAPE AND REEL-



-END TAPE-



-THE DIRECTION OF PILOT HOLES-



勝特力材料 886-3-5753170
 勝特力电子(上海) 86-21-34970699
 勝特力电子(深圳) 86-755-83298787
[Http://www.100y.com.tw](http://www.100y.com.tw)

THIS DRAWING IS A CONTROLLED DOCUMENT.		DWN	13MAR2007	 TE Connectivity	TACTILE SWITCH FSM1LP
DIMENSIONS: mm [INCHES]		CHK	20MAR2007		
TOLERANCES UNLESS OTHERWISE SPECIFIED:		APVD	20MAR2007	NAME	
0 PLC	± -	M.SARVER		CAGE CODE	
1 PLC	± -	M.SARVER		DRAWING NO	
2 PLC	± 0.30[.012]	PRODUCT SPEC		RESTRICTED TO	
3 PLC	± -	APPLICATION SPEC		A2	
4 PLC	± -	WEIGHT		00779	
ANGLES	± -	CUSTOMER DRAWING		SCALE 4:1 SHEET 2 OF 2	
FINISH	± -	SCALE 4:1		REV D3	