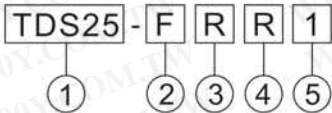


Feature

- These series of switches has 6 types of capacity ranging from 16A to 80A.
- Installation includes fixed way(fixed on the operating panel) and detached way(contact fixed in the control box whereas upper base and handles fixed on the tope cover of the contrlo box)
- Detachable type can be installed on TBR-N(standard aluminium rail-wide rail)
- There are two types of switching handles: standard and round.Standard is colored in red/yellow or black/silver; while round ones in red/yellow or black/gray.

Model designation



Designation	Signal	Description
1.Capacity	TDS16	16A
	TDS25	25A
	TDS33	33A
	TDS40	40A
	TDS66	66A
	TDS80	80A
2.Installation way	F	Fixed way
	B	Detched way
	E	Control stiaions
3.Handle	S	Standard handle
	R	Rotundity handle
4.Color	B	Block/silver gray
	R	Red/yellow
5.Transmission rod length (only detached way)	None	100mm
	1	150mm
	2	250mm
	3	300mm

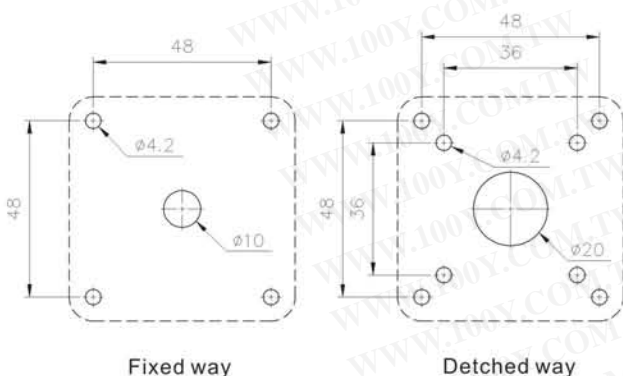
Specifications

Voltage	Type	TDS16	TDS25	TDS33	TDS40	TDS66	TDS80
	AC-3 (kw)	220V~240V	2.2	4.0	5.5	7.5	11.0
380V~440V		3.7	5.5	7.5	11.0	18.5	22.0
660V~690V		3.7	5.5	7.5	15.0	22.0	30.0
AC-23 (kw)	220V~240V	3.0	5.5	5.5	7.5	11.0	18.5
	380V~440V	5.5	7.5	11.5	15.0	22.0	30.0
	600V~690V	5.5	7.5	11.5	18.5	30.0	37.0
AC-21		16A	25A	33A	40A	66A	80A

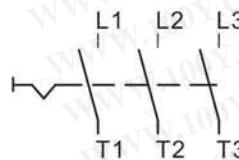
Voltage	Type	TDS16	TDS25	TDS33	TDS40	TDS66	TDS80
	AC-3 (hp)	110V~120V	1	1.5	2	3	5
220V~240V		2	3	5	7.5	10	20
380V~440V		3	5	10	15	20	40
500V~600V		3	5	10	15	20	50

3 phase.3 poles

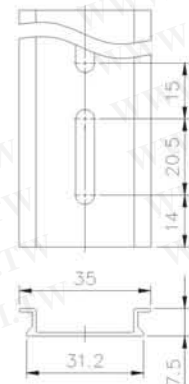
Plate dimensions



Wiring diagram



TBR-N(Dimenditions)

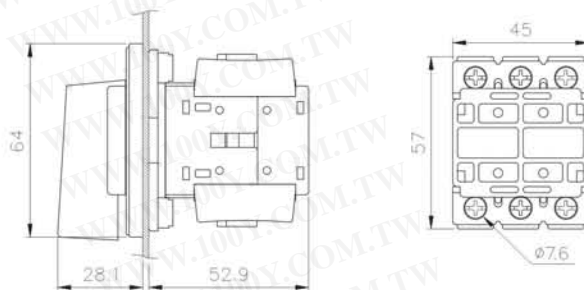


■ Dimensions

TDS16/25/33-FSB



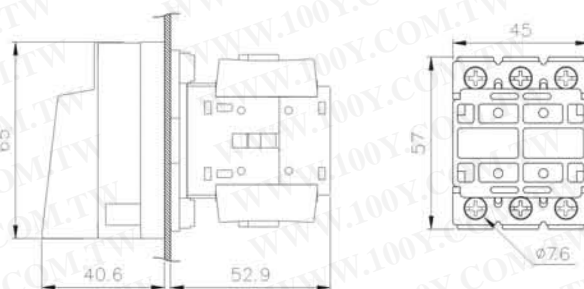
TDS16/25/33-FSR



TDS16/25/33-FRB



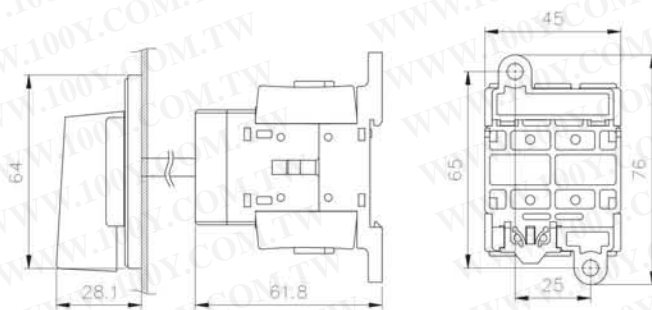
TDS16/25/33-FRR



TDS16/25/33-BSB



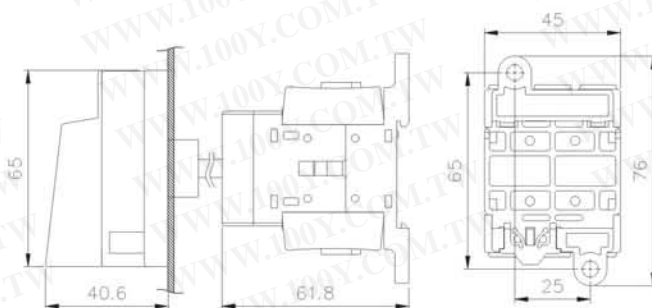
TDS16/25/33-BSR



TDS16/25/33-BRB



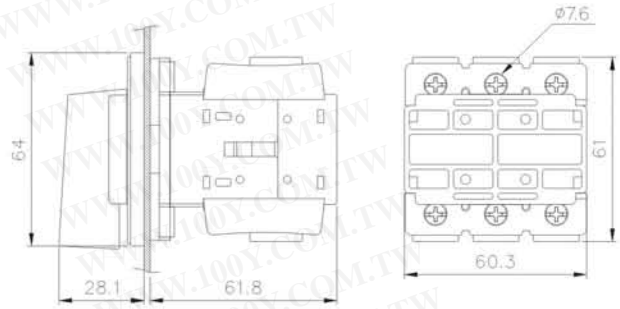
TDS16/25/33-BRR



TDS40/66/80-FSB



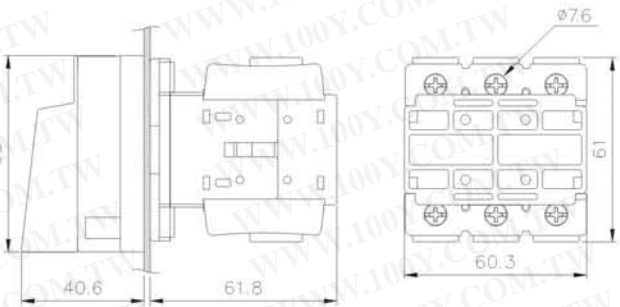
TDS40/66/80-FSR



TDS40/66/80-FRB



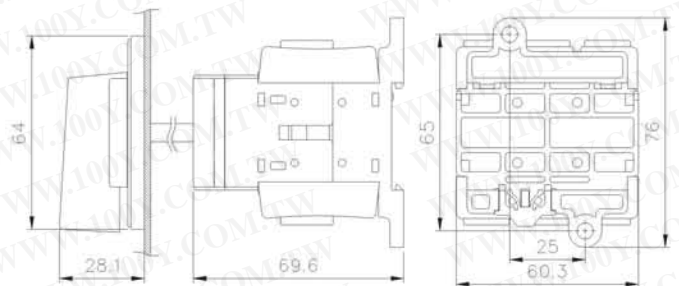
TDS40/66/80-FRR



TDS40/66/80-BSB



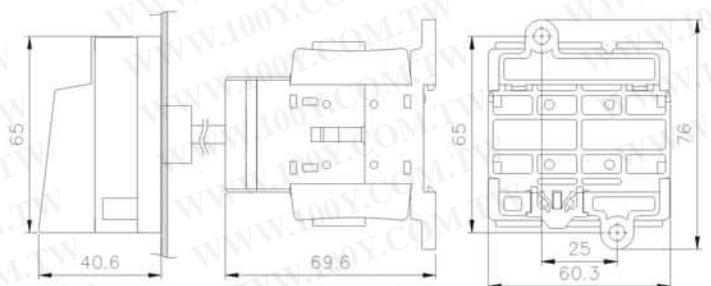
TDS40/66/80-BSR



TDS40/66/80-BRB

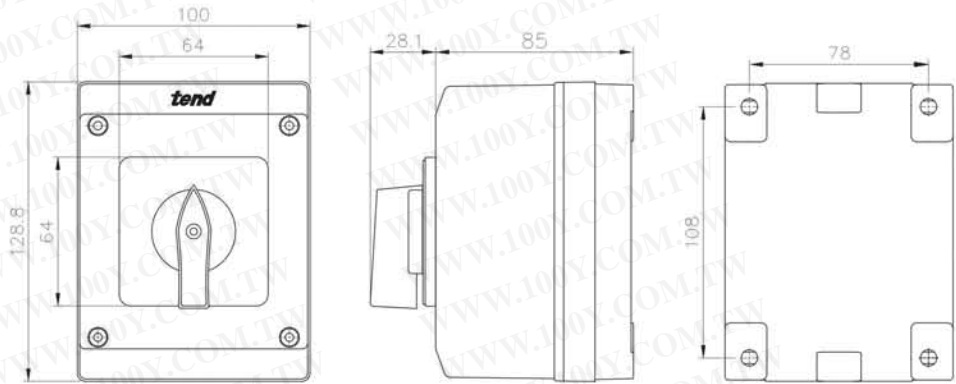


TDS40/66/80-BRR

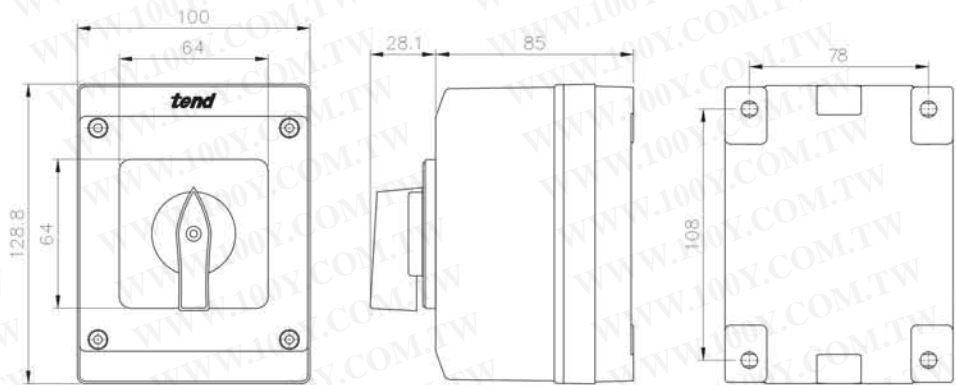


Control stations

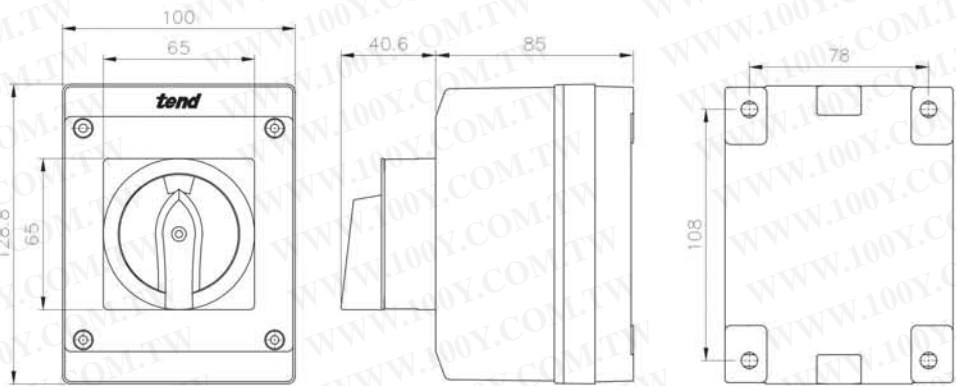
TDS□-ESB



TDS□-ESR



TDS□-ERB



TDS□-ERR

