



SERIES TL 3301 SWITCHES

TACT SWITCHES SMT - 6mm x 6mm



SPECIFICATIONS

Contact Rating:	50mA @ 12 VDC
Life Expectancy:	100,000 cycles typical
Contact Resistance:	100mΩ max. initial @ 2-4 VDC 100mA for both silver and gold plated contacts
Insulation Resistance:	100MΩ min.
Dielectric Strength:	250 VAC
Actuation Force:	100 ± 50 gf, 160 ± 50 gf, 260 ± 50 gf
Operating Temperature:	-20°C to 70°C
Travel:	0.25 Typ

MATERIALS

Housing:	PPS or Nylon
Actuator:	PPS or Nylon
Bracket/Cover:	Tin plated steel
Contacts:	Gold or silver plated phosphor bronze
Terminals:	Gold or silver plated brass

FEATURES & BENEFITS

- ▶ SMT Design
- ▶ Compatible with lead-free soldering

APPLICATIONS/MARKETS

- ▶ Telecommunications
- ▶ Consumer Electronics
- ▶ Audio/visual
- ▶ Medical
- ▶ Testing/instrumentation
- ▶ Computer/servers/peripherals

HOW TO ORDER

SERIES	MODEL NO.	ACTUATOR* ("L" Dimension)	OPERATING FORCE	CONTACT MATERIAL	TERMINATION
TL LL	3301	T = 2.4 mm <input type="checkbox"/> SP = 2.8 mm <input type="checkbox"/> N = 4.3 mm A = 5.0 mm E = 7.3 mm F = 7.0 mm C = 8.0 mm P = 8.5 mm B = 9.5 mm D = 13.0 mm	F100 F160 F260	Q = Silver R = Gold	G = Gull Wing J = J-Lead

- Square Snap-on Actuator Head
"L" Dimension is 7.5mm

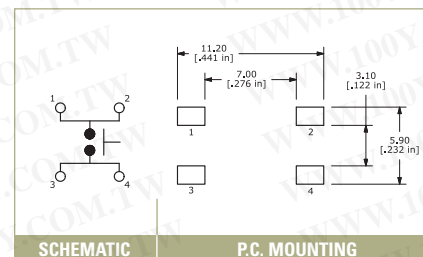
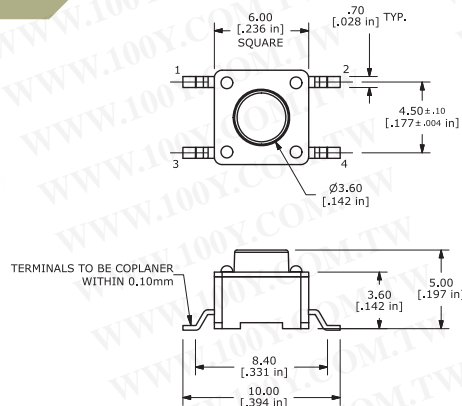
*** Note: Not all actuator lengths available with tape and reel packaging. Please contact E-Switch to confirm availability.**

Example Ordering Number
TL-3301-N-F160-Q-J

Specifications subject to change without notice.

LL 3301

LONG LIFE



勝特力材料 886-3-5753170
 勝特力电子(上海) 86-21-34970699
 勝特力电子(深圳) 86-755-83298787
[Http://www.100y.com.tw](http://www.100y.com.tw)

TACT SWITCHES

NAVIGATION SWITCHES

PUSHBUTTON SWITCHES

TOGGLE SWITCHES

ROCKER SWITCHES

SLIDE SWITCHES

SNAP-ACTION SWITCHES

DIP SWITCHES

KEYLOCK SWITCHES

ROTARY SWITCHES

DETECTOR SWITCHES

CAP OPTIONS

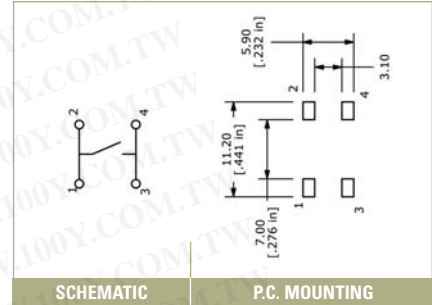
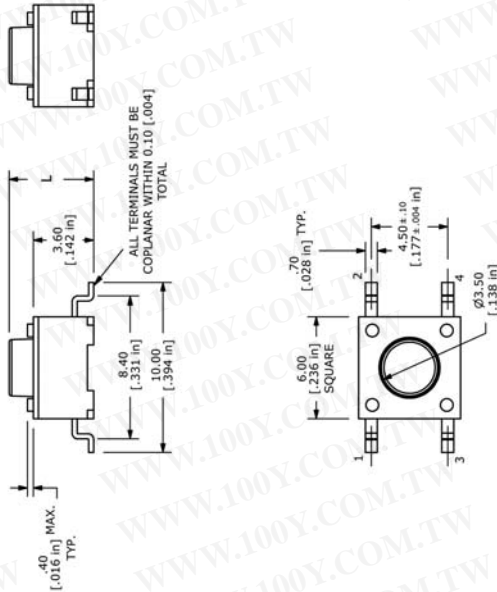
SERIES TL 3301 SWITCHES

TACT SWITCHES SMT - 6mm x 6mm

TACT SWITCHES

TL 3301

GULL WING TERMINATION



NAVIGATION SWITCHES

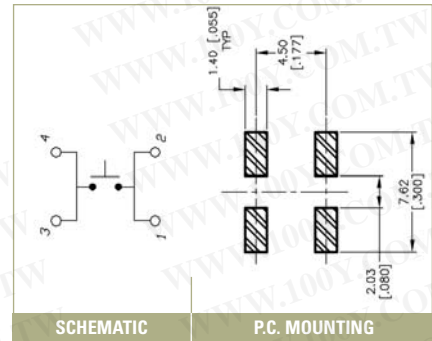
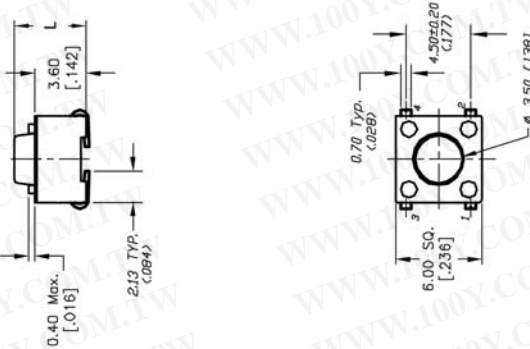
PUSHBUTTON SWITCHES

TOGGLE SWITCHES

ROCKER SWITCHES

TL 3301

J-LEAD TERMINATION



SLIDE SWITCHES

SNAP-ACTION SWITCHES

DIP SWITCHES

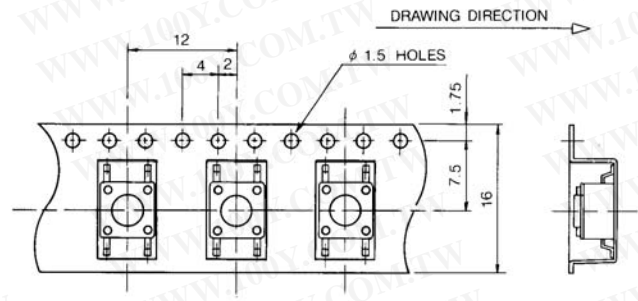
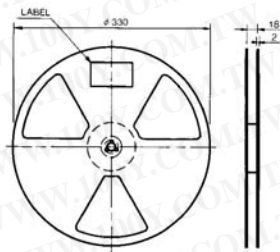
KEYLOCK SWITCHES

ROTARY SWITCHES

DETECTOR SWITCHES

CAP OPTIONS

TL 3301 STANDARD REEL



勝特力材料 886-3-5753170
 勝特力电子(上海) 86-21-34970699
 勝特力电子(深圳) 86-755-83298787
[Http://www.100y.com.tw](http://www.100y.com.tw)

Note: Contact E-Switch for additional packaging options.