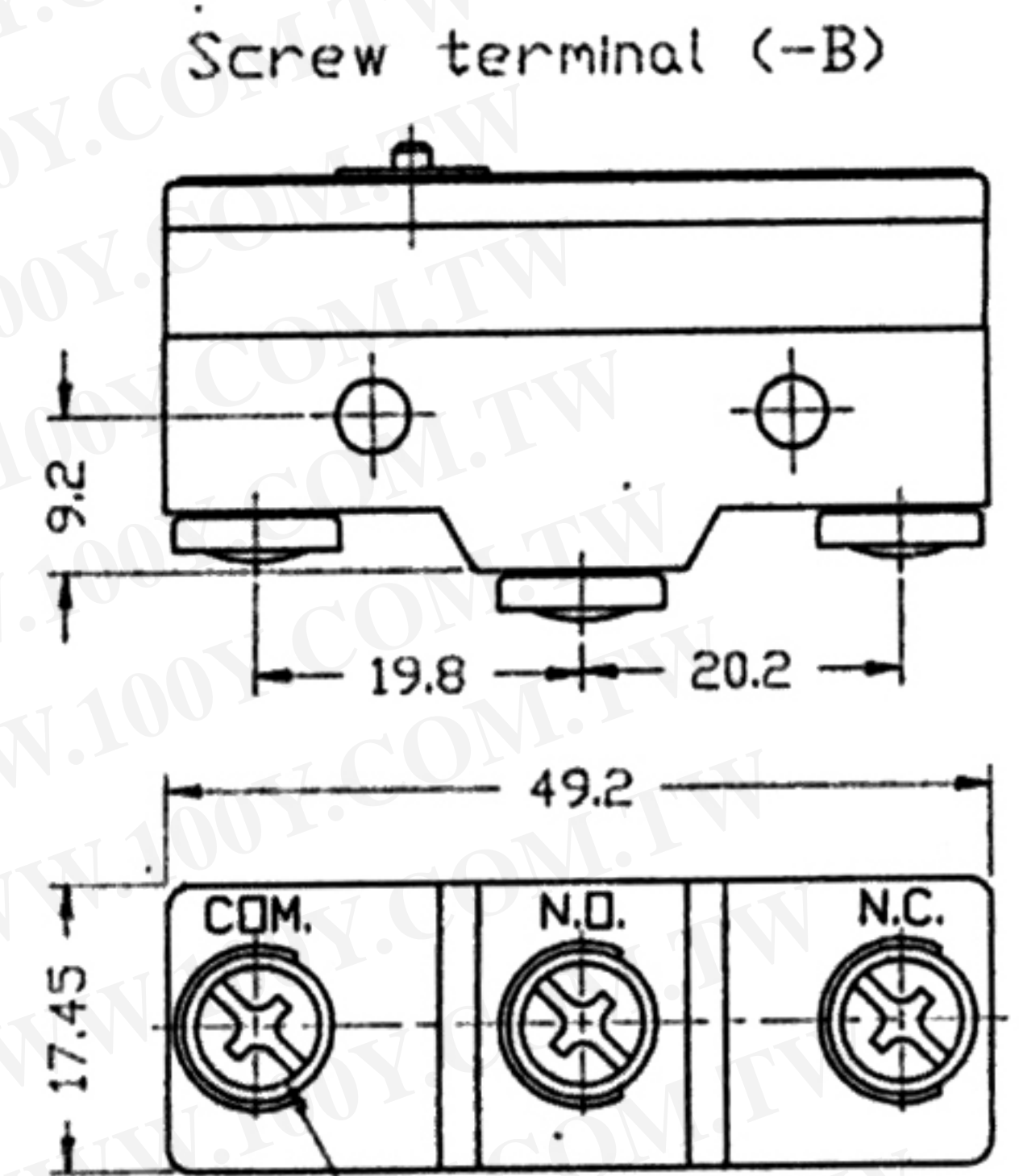
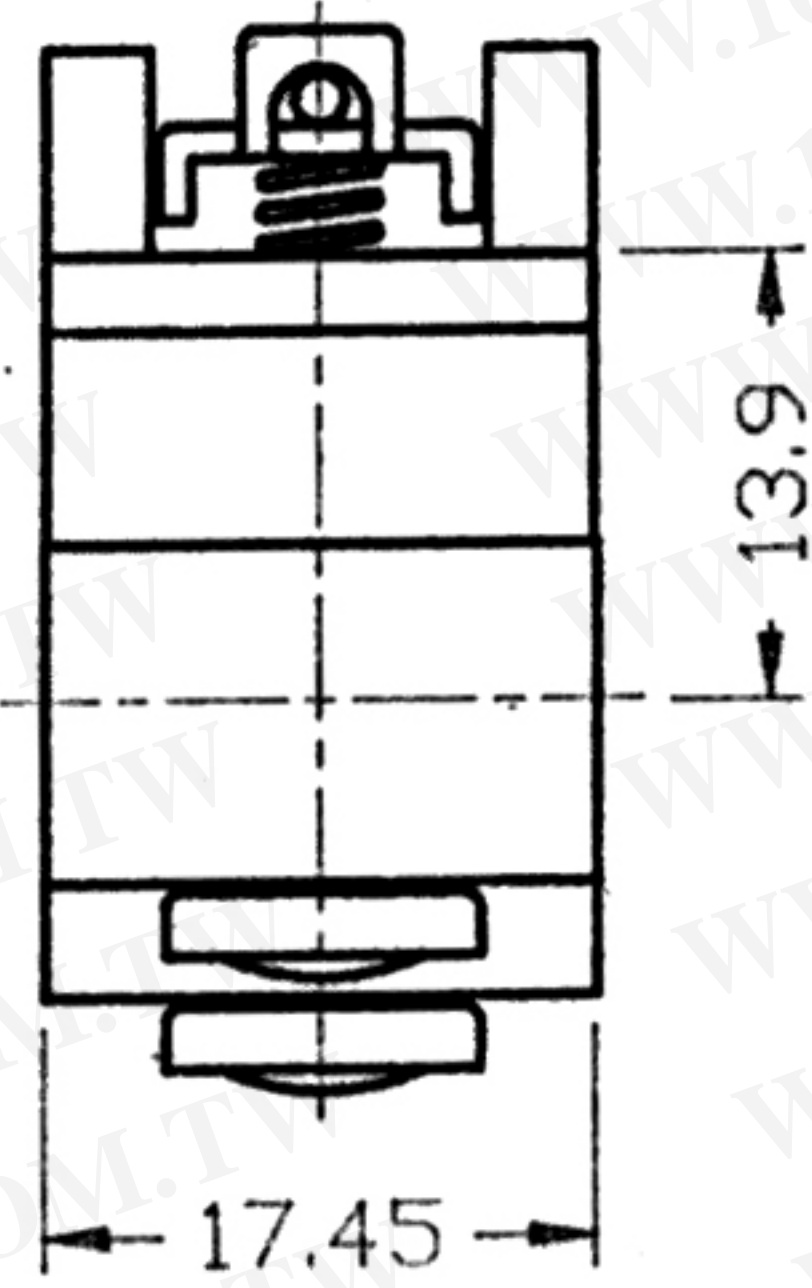
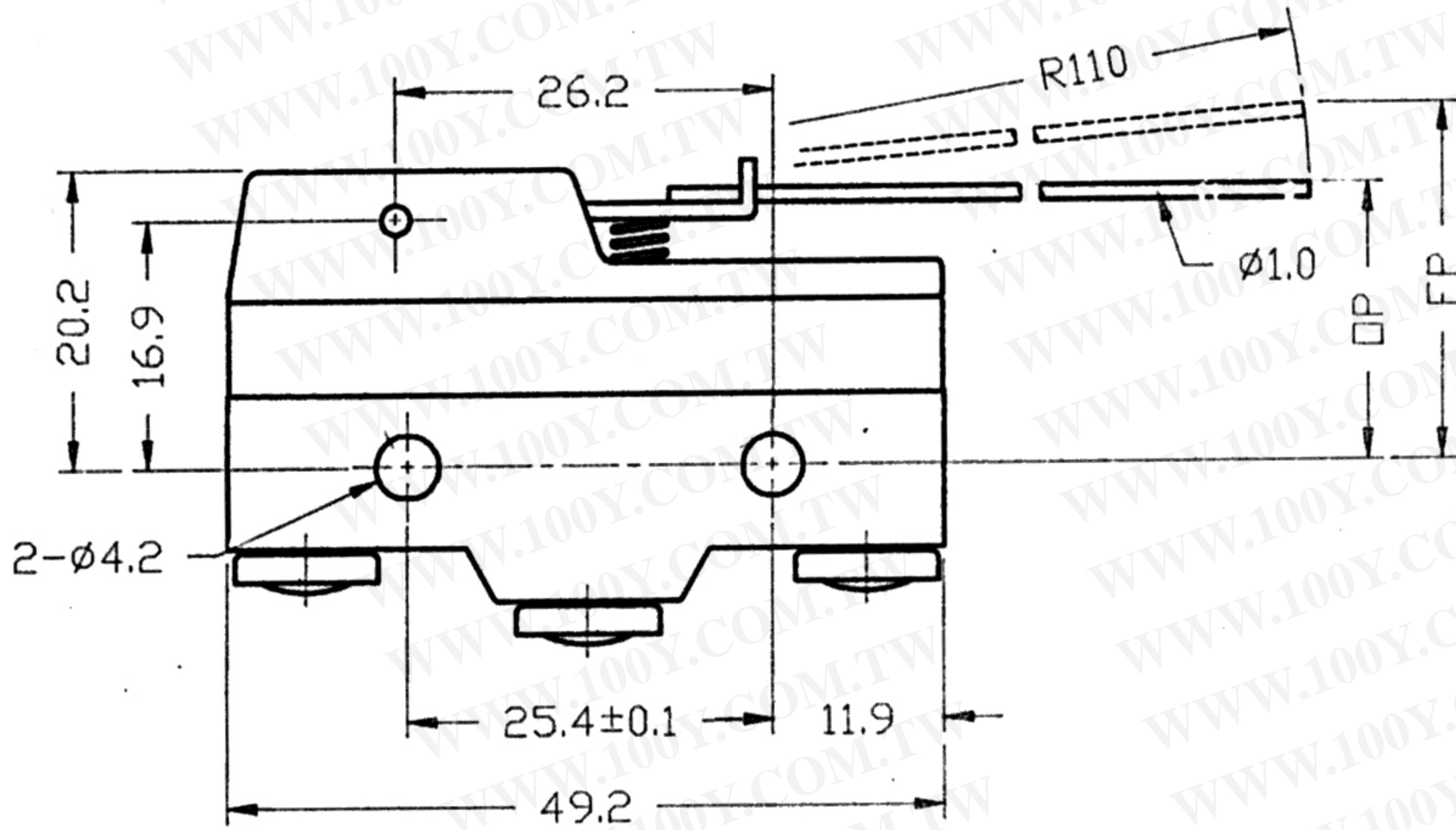
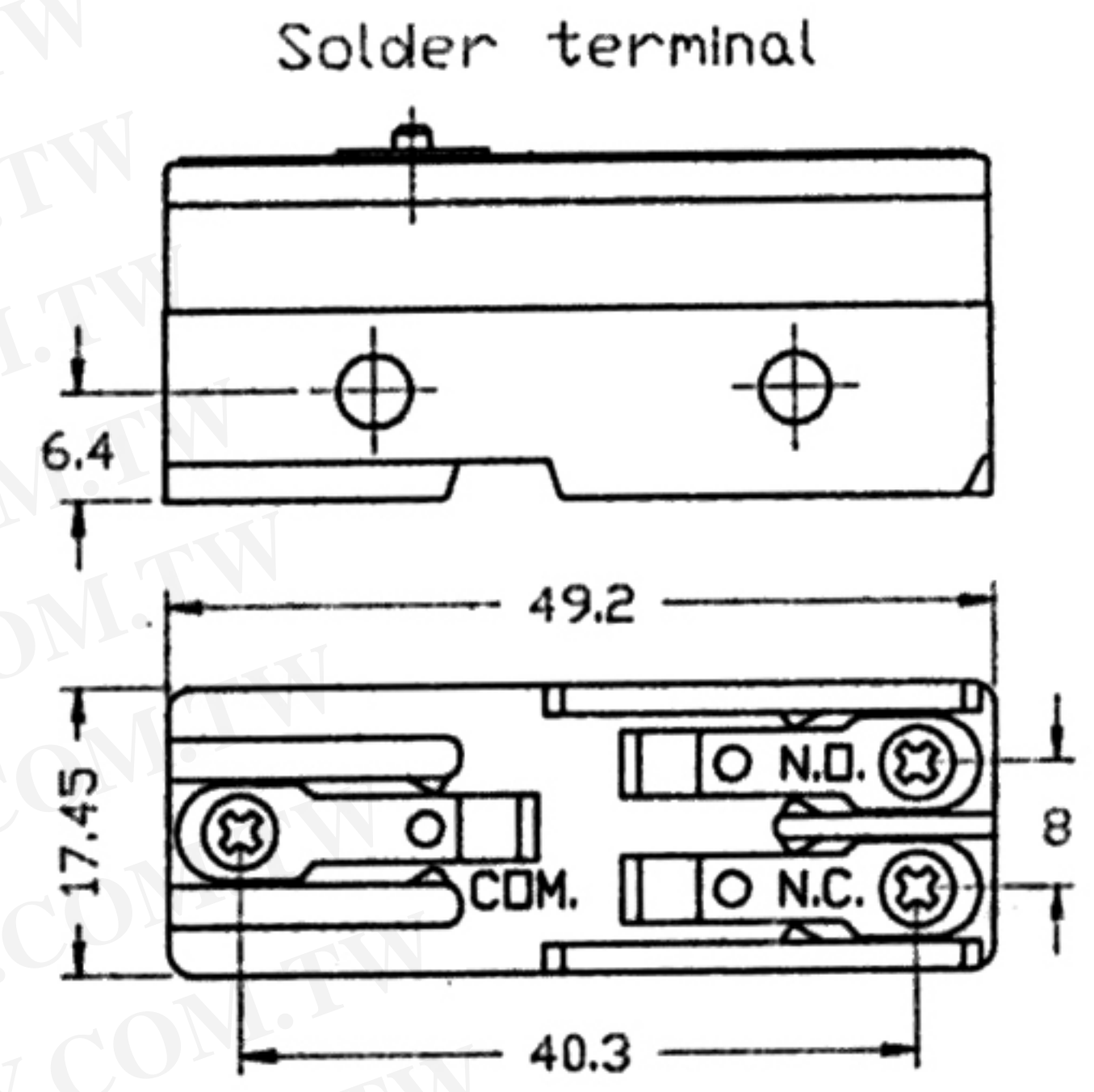


CHARACTERISTICS		Rating	15A 125VAC or 250VAC
		Terminal	
		Item No.	Z15G1505/1705
Contact resistance	15mΩ max. (initial)	OF max.	15g
Insulation resistance	100MΩ min. (at 500 VDC)	RF min.	2g
Dielectric strength	1,000 VAC, 50/60Hz for 1 minute between	PT max.	10mm
Mechanically service life	1,000,000 operations min.	OT min.	6mm
Electrically service life	100,000 operations min.	MD max.	3mm
		FP max.	30mm
		OP	20±1mm



勝特力材料 886-3-5753170
 勝特力电子(上海) 86-21-34970699
 勝特力电子(深圳) 86-755-83298787
[Http://www.100y.com.tw](http://www.100y.com.tw)

3-M4x5.5
 Terminal screw
 (with cup washer)

FILE NO.	TYPE NO.	ITEM NO.	UNIT	SCALE	TOLERANCE	DRAWN	CHECKED	DATE
01113050	Z-TYPE	Z15G1505 Z15G1705	m/m	1.5:1		J. Lee		3/15-1989