





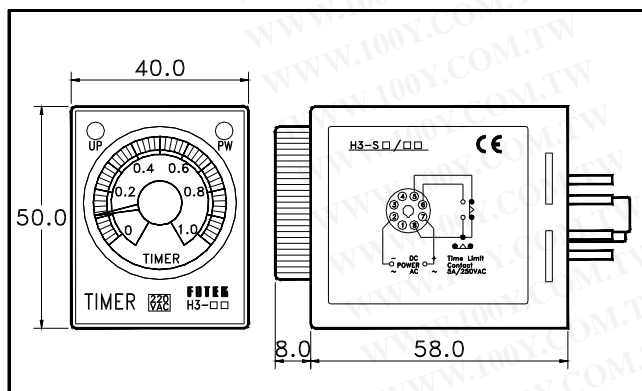
CE H3 series ON DELAY TIMER/FLICKER/Y-△STARTER

Type	Multi-Range ON Delay Timer	Single-Range ON Delay Timer	Multi-Range Flicker	Y-△ Starter
Model	H3-M □	H3- □ □	H3-FK-M3	H3-TRD-30S
Figure				
Range	M1:1S/10S/1M/10M M3:3S/30S/3M/30M M6:6S/60S/6M/60M M1H:1M/10M/1H/10H M3H:3M/30M/3H/30H M6H:6M/60M/6H/60H	1S/3S/6S/10S 30S/60S/3M/6M 10M/30M/60M 3H/6H/10H/100H	3S/30S/3M/30M	30S Change Time:0.2S 0.1~0.5S is Available ON Demanded
Weight	155g	155g	140g	105g

Specification

Power Supply	12 or 24 VAC/DC or 110V or 230V or 380VAC 50/60Hz
Wattage Consump.	3VA max.
Control Output	Relay
Contact Rated	10A
Repetivity	0.2% of F.S max.
Setting Accuracy	5% of F.S max.
Reset Time	0.1S max.
Insulation Strength	100M Ω /500VDC
Dielectric Strength	2.5KV/1 min.
Circumstance	-20° ~+60 °C , 35~85%RH
Life of Relay	20 X 10 ⁶ Times

Dimension



Connection & Timing Diagram

