




OFF DELAY TIMER



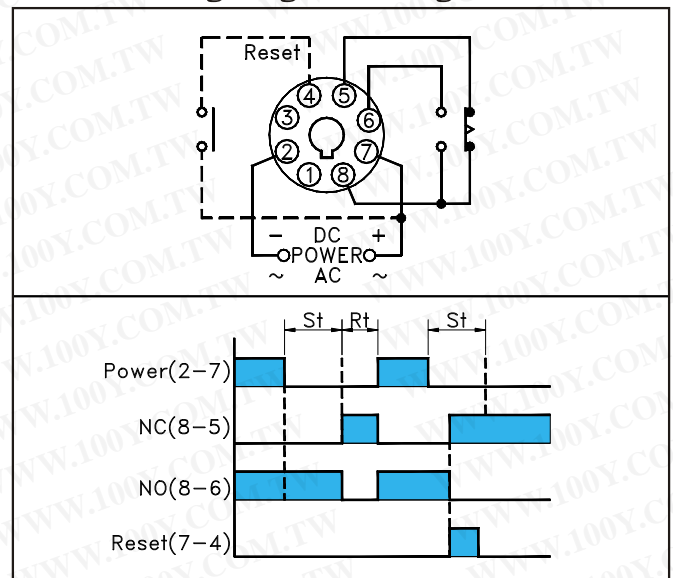
TF series

Outline	50x60	40x50	48x48
Model	TFN - □□	H3-TF - □□	H5B-TF - □□
Figure			
Range	3S, 6S, 10S, 30S, 60S, 3M		
Contact Rated	5A/250VAC	1A/250VAC	5A/250VAC
Weight			

Specification

Item	Data
Power Supply	12V or 24 VAC/DC or 110V or 230V or 380VAC 50/60Hz
Wattage	3VA max.
Control Output	Relay < 1C >
Repetitive	0.5% of F.S.
Setting Accuracy	5.0% of F.S.
Reset Time	0.1sec Max.
Insulation Strength	100MΩ / 500 VDC
Dielectric Strength	2.5 KV / 1 Min.
Life of Relay	20 X 10 ⁵ Times
Circumstance	-20°C~+60°C, 35~85%RH

Connecting Diagram/Timing Chart



Dimension

