

Hour meters / timers, electronic

LCD hour meters **Max. time range 9999 h 59 min 59 sec or 999999.9 sec (battery)** **Codix 135**



The Codix 135 is a simple battery-powered hour meter for PNP, NPN and high-voltage applications.

Its 8-digit LCD display with optional backlighting can display various time ranges.



Hour meters / Timers

| | | | | | | | | | |
|-----------------|-------|--------------------------|------------------|--------------------|----------------------------------|-------------------------------|--------------------------------|--------|----------------|
| | | | | | | | | | |
| Battery powered | Timer | Pulse counter/ Totaliser | DC 4 ... 30 V | AC 10 ... 260 V | Temperature range - 10° + 60° | High protection level IP65 | DIN front bezel DIN 48 x 24 | 8 LCDs | Lockable reset |

Powerful

- High quality LCD display with 8 mm high figures - optional display backlighting
- Time range up to 9999999.9 seconds or 9999h99m99s programmable via control input
- Battery lifetime 8 years
- High voltage versions for 10 ... 260 V AC/DC voltage pulses, thus to be connected directly via contactors, relays and motors
- Very high accuracy: 100 ppm

Simple

- Screw terminals, RM 5 mm
- Reset key lockable via the input 'Reset Enable'
- According to version for PNP, NPN switching level or high voltage version for 10 ... 260 V AC/DC switching voltage
- Accumulated time is always readable thanks to battery powering
- High protection level IP65

Order code **6.135 . 012 . 8XX**

a Backlighting
5 = without ¹⁾
6 = with

b Count input

| Mode | INP A: | | INP B | |
|-------------------------|--------------------|-------|--------------------|-------|
| 0 = Timer ¹⁾ | – | – | 0 ... 0.7 V DC | NPN |
| 1 = Timer ¹⁾ | – | – | 4 ... 30 V DC | PNP |
| 3 = Timer ¹⁾ | 10 ... 260 V AC/DC | AC/DC | 10 ... 260 V AC/DC | AC/DC |

Delivery specification

- Timer
- Mounting clip
- Front bezel for screw mounting (T008181)
56 x 40 mm [2.20 x 1.57"], panel cut-out 50 x 25 mm [1.97 x 0.98"]
- Front bezel for clip mounting (T008180)
53 x 28 mm [2.09 x 1.10"], panel cut-out 50 x 25 mm [1.97 x 0.98"]
- Gasket
- Instruction manual, multilingual

勝特力材料 886-3-5753170
勝特力电子(上海) 86-21-34970699
勝特力电子(深圳) 86-755-83298787
Http://www.100y.com.tw

1) Stock types

Hour meters / timers, electronic

LCD hour meters Max. time range 9999 h 59 min 59 sec or 9999999.9 sec (battery) Codix 135

| Accessories | Dimensions in mm [inch] | Order-No. |
|--|---|-------------------|
| Adapter front bezel, 72 x 36 [2.83 x 1.42] | For cut-out 68 x 33 [2.68 x 1.30] to cut-out 45 x 22.2 [1.77 x 0.87], for counters 48 x 24 [1.89 x 0.94], as set black and silver anodised | 162704 Set |
| Adapter front bezel, 48 x 48 [1.89 x 1.89] | For cut-out 45 x 45 [1.77 x 1.77] to cut-out 45 x 22.2 [1.77 x 0.87], with clip mounting for counters 48 x 24 [1.89 x 0.94] black | T008883 |
| Adapter front bezel, 60 x 50 [2.36 x 1.97] | For cut-out 54 x 29 [2.13 x 1.14] to cut-out 45 x 22.2 [1.77 x 0.87], with screw mounting and gasket for counters 48 x 24 [1.89 x 0.94] black | N003001 |
| Transparent cover, lockable, IP65 | For cut-out 54 x 29 [2.13 x 1.14], for screw mounting to front bezel F1B or adapter front bezel N003001, for counters with cut-out 50 x 25 [1.97 x 0.98] or 45 x 22.2 [1.77 x 0.87] | N003002 |
| Sealing cover type K1, IP65 | Suitable for front bezel 60 x 50 [2.36 x 1.97], for screw mounting of electromech. counters and via adapter front bezel N003001 for counters 48 x 24 [1.89 x 0.94] | G008301 |
| Mounting frame with cut-out 50 x 25 [2.36 x 1.97] via separate adapter also for 45 x 22.2 [1.77 x 0.87] | For snap-on mounting on 35 [1.38] top-hat DIN rail, for counters 53 x 28 [2.09 x 1.10] and via separate adapter (T008180) for counters 48 x 24 [1.89 x 0.94] chromated | G300004 |

Suitable gaskets as well as further accessories can be found in the accessories section or in the accessories area of our website at: www.kuebler.com/accessories.

Technical data

| General technical data | |
|------------------------------|--|
| Display | LCD, 8-digits, 8 mm [0.31"] high |
| Backlighting | external electrical source 24 V DC $\pm 20\%$, 50 mA |
| Counting direction | adding |
| Display range | see next page |
| Reset | manual and electrical |
| Working temperature | -10°C ... +55°C [+14°F ... +131°F] (non-condensing) |
| Operating temperature | -10°C ... +60°C [+14°F ... +140°F] (non-condensing) |
| Storage temperature | -20°C ... +70°C [-4°F ... +158°F] |
| Altitude | up to 2000 m |

| Electrical characteristics | |
|----------------------------|---|
| Power supply | internal lithium battery approx. 8 years at 20°C [68°F] |
| EMC | Emitted interference EN 55011 class B Immunity to interference EN 61000-6-2 |
| Device safety | Designed to EN 61010 part 1 Protection class 2 Application area Pollution level 2 |
| UL approval | File-No.: E128604 |

| Mechanical characteristics | |
|----------------------------|------------------------|
| Housing | dark grey RAL 7021 |
| Protection | IP65 (front side) |
| Weight | approx. 50 g [1.76 oz] |

| Count input | |
|---|--|
| A. Timer inputs DC versions (max. 30 V DC) INP B | |
| Timer input | NPN or PNP depending on the type (see table) |
| Switching level | NPN LOW: 0 ... 0.7 V DC HIGH: 3 ... 30 V DC PNP LOW: 0 ... 0.7 V DC HIGH: 4 ... 30 V DC |
| Counting start | NPN for LOW signal at the timer input PNP for HIGH signal at the timer input |
| B. Timer inputs high voltage versions (10 ... 260 V DC/V AC) INP A | |
| Timer input | optocoupler input |
| Min. pulse time | 16 ms |
| Switching level | LOW: 0 ... 2 V DC/V AC HIGH: 10 ... 260 V DC/V AC |
| Counting start | for HIGH signal at the timer input |
| C. Time range change (Mode) | |
| Contact input | open collector (switching at 0 V) NPN LOW 0 ... 0.7 V DC HIGH 3 ... 5 V DC |
| Time range | depending on the circuit (s. order inform.) |
| D. Reset input for DC and high voltage | |
| Min. pulse time | DC 50 ms High voltage 16 ms |
| Contact input DC | NPN LOW 0 ... 0.7 V DC HIGH 3 ... 30 V DC |
| High voltage input | 10 ... 260 V AC/DC |
| E. Reset locking input (for DC and AC) | |
| Electrical reset key locking | |
| Input not active | reset key locked |
| Contact input | open collector NPN (switching at 0 V) |
| Switching level | NPN LOW 0 ... 0.7 V DC HIGH 3 ... 5 V DC |

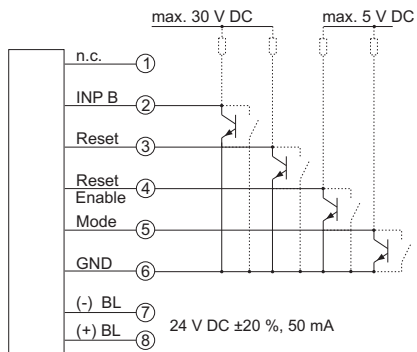
勝特力材料 886-3-5753170
胜特力电子(上海) 86-21-34970699
胜特力电子(深圳) 86-755-83298787
[Http://www.100y.com.tw](http://www.100y.com.tw)

Hour meters / timers, electronic

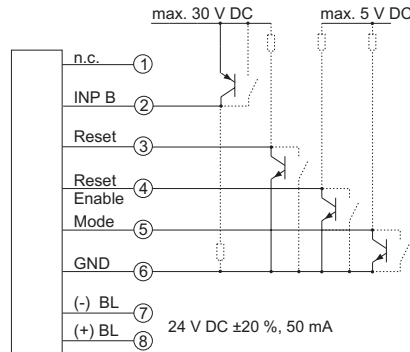
LCD hour meters **Max. time range 9999 h 59 min 59 sec or 999999.9 sec (battery)** **Codix 135**

Terminal assignment

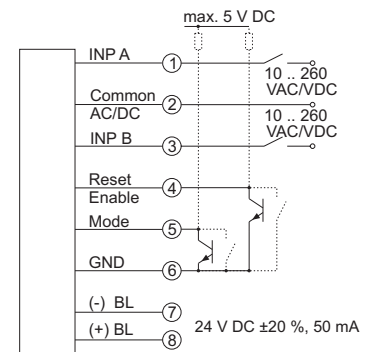
DC type: 6.135.012.8x0



DC type: 6.135.012.8x1

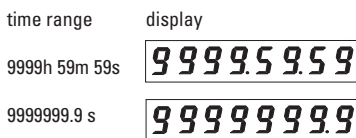


AC type: 6.135.012.8x3



BL = backlighting

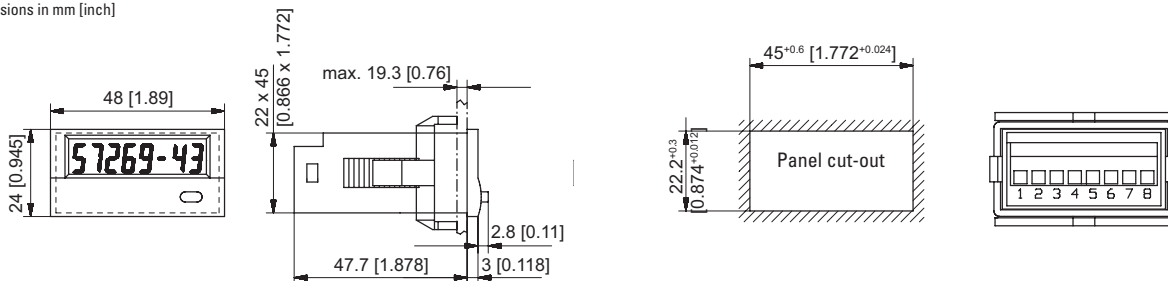
Display and time ranges



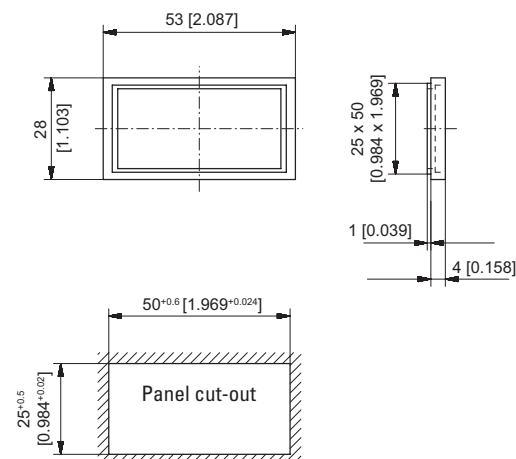
勝特力材料 886-3-5753170
勝特力电子(上海) 86-21-34970699
勝特力电子(深圳) 86-755-83298787
[Http://www.100y.com.tw](http://www.100y.com.tw)

Dimensions

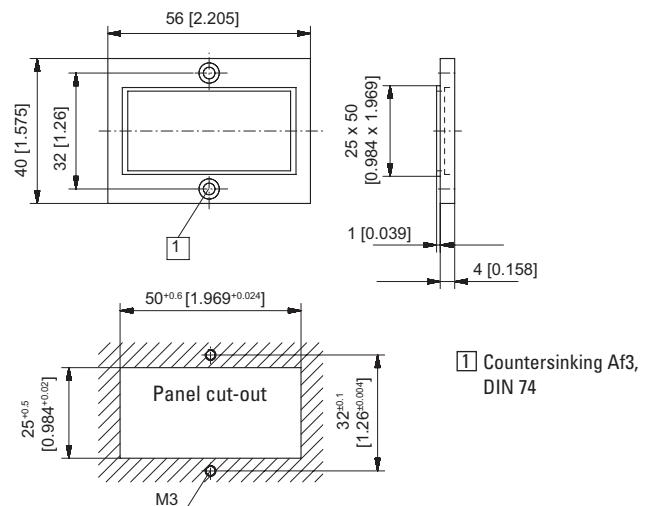
Dimensions in mm [inch]



Front bezel for clip mounting (included in delivery)



Front bezel for screw mounting (included in delivery)



1 Countersinking Af3, DIN 74