

LCD modules	Adding, 6 digits (DC)	192
--------------------	------------------------------	------------



Type 192 is a single channel counter module for PCB mounting, with a large voltage range of 8 up to 28 V DC and a 6-digit LCD display.

Extremely robust as a result of its wide temperature range, the module is ideally suited for use in many application areas.



DC 8 ... 28 V	max. 100 Hz	PNP	High shock resistance	Temperature range -40°...+80°C	PCB mount	7 LCDs	Electrical reset
Power supply	Max. count frequency	Input type	High shock resistance	Temperature range	PCB mount	LCD display	Electrical reset

Powerful

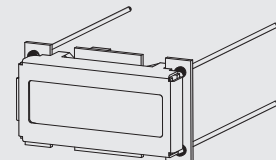
- Count frequency up to 100 Hz.
- 6-digits LCD display, 5 mm high.
- Low operating current.
- Wide operating voltage and temperature range.
- High shock and vibration resistance.

Simple

- Non-volatile memory (no battery).
- Single channel count input.
- Electrical reset.
- Very high reliability.
- Small size and very competitive price.

Order no.

<i>Power supply</i> 8 ... 28 V DC	<i>Order no.</i> 6.192.012.H00 ¹⁾	<i>Art. no.</i> 162 135	<i>Delivery specification</i> · LCD counter module type 192 · Operating instructions
--------------------------------------	--	----------------------------	--



勝特力材料 886-3-5753170
 勝特力电子(上海) 86-21-34970699
 勝特力电子(深圳) 86-755-83298787
 Http://www.100y.com.tw

1) Stock types.

Pulse counters, electronic

LCD modules	Adding, 6 digits (DC)	192
--------------------	------------------------------	------------

Technical data

General technical data	
Display	6 digits, LCD display, figure height 5 mm [0.20"]
Data backup	EEPROM
Memory	CMOS EEPROM. non-volatile memory data backup up to 10 years (without battery)
Operating / working / storage temperature	-40°C ... +85°C [-40°F ... +185°F] (non-condensing)
Humidity	95 % rel +32°C [+90°F] for 2 hours

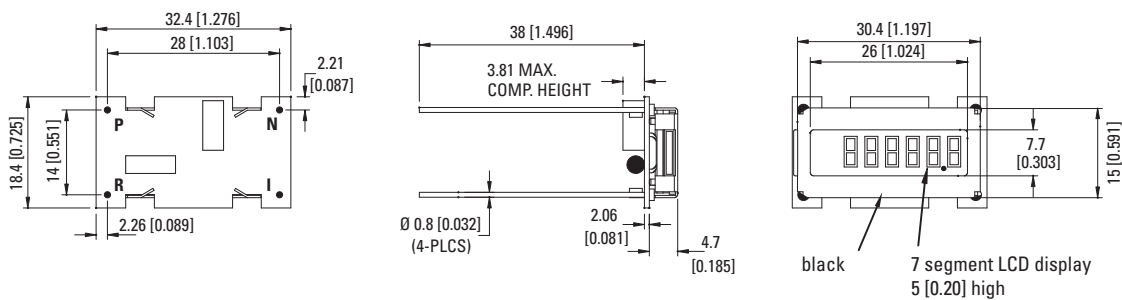
Inputs	
Count input	8 ... 28 V DC
max. counting frequency	100 Hz
Reset input	8 ... 28 V DC
pulse length	min. 500 msec

Electrical characteristics	
Power supply	8 ... 28 V DC
Current consumption	max. 3 mA at 4.5 V DC 10 mA at 28 V DC
EMC standards	EN 55011 class B EN 61000-6-2, EN 61000-6-3, EN 61326-1, EN 61326-3-1
The module must be protected against inductive voltage spikes and high energy noise interference.	

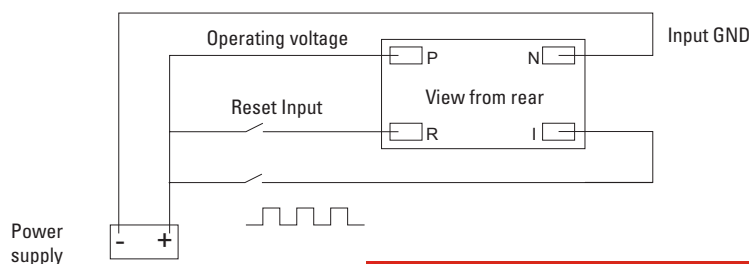
Mechanical characteristics	
Housing	dimensions 18.4 x 32.4 mm [0.72 x 1.28"] color black
Weight	approx. 8 g [0.28 oz]
Vibration resistance acc. to EN 60068-2-6	10 ... 80 m/s ² , 10 ... 75 Hz

Dimensions

Dimensions in mm [inch]



Terminal assignment



勝特力材料 886-3-5753170
 勝特力电子(上海) 86-21-34970699
 勝特力电子(深圳) 86-755-83298787
[Http://www.100y.com.tw](http://www.100y.com.tw)