

型号系列 HK 17



- 7- 或 8-位交直流供电小时计
- 无复位
- 高抗震性
- 小尺寸
- 数字放大显示
- 防护等级 IP 65 前端
- 具有掉电保护功能
- 长使用寿命
- UL-认证

应用:

一般计数,
调试系统的维修间隔
(呼吸机, 氧气机, 透析机),
小型器具, UV灯,
车辆显示面板

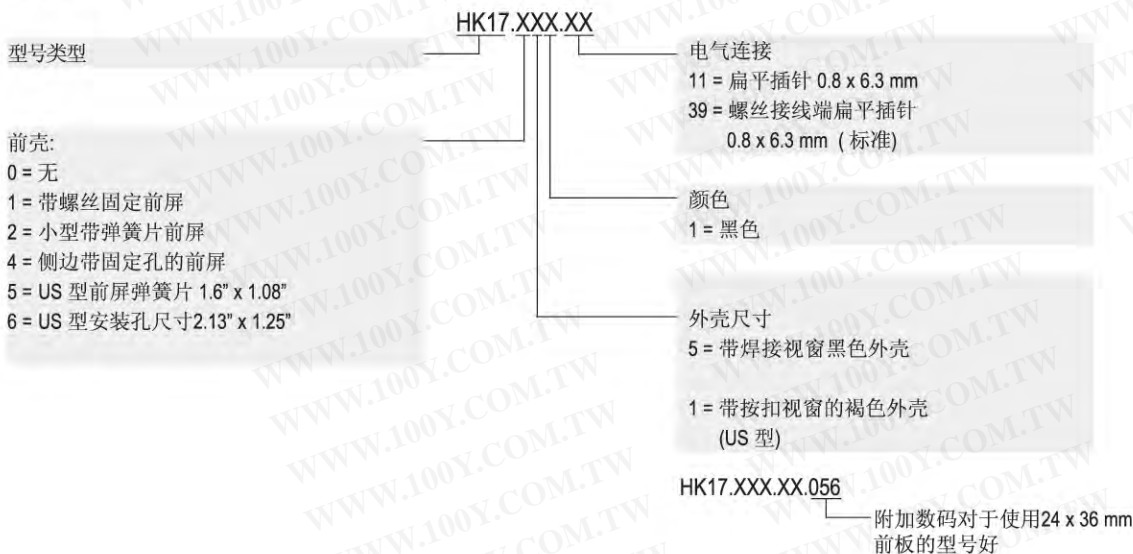


技术参数:

电气连接:	带螺丝接线端的扁销 8 x 6.3 mm 或扁平插针 0.8 x 6.3 mm 最大紧固扭矩 0.8 Nm	
功耗:	10 ... 30 V DC:	约 500 mW
	36 ... 80 V DC:	约 900 mW
	100 ... 130 V DC:	约 750 mW
	20 ... 30 V AC, 50 Hz:	约 0.3 VA
	42 ... 48 V AC, 50 Hz:	约 0.25 VA
	100 ... 130 V AC, 50 Hz:	约 0.6 VA
	187 ... 264 V AC, 50 Hz:	约 1.2 VA
	360 ... 440 V AC, 50 Hz:	约 1.65 VA
额定电压:	20 ... 30, 42 ... 48, 100 ... 130, 187 ... 264, 360 ... 440 V AC 50 或 60 Hz, 10 ... 30, 36 ... 80, 100 ... 130 V DC	
显示:	交流 7 : 99999.99 直流 8 : 999999.99	

精度:	AC: 供电频率 +30 ms DC: <0.003 % (at 24 h)
数字大小:	3.8 x 1.7 mm 放大显示
数字颜色:	黑底白字和红字
环境温度:	-15 ... +50 °C
安装位置:	任意
防护等级:	IP 65 前端
UL:	File E128604
外壳:	塑料, 带密封的型号 防护等级可达 IP 65
重量:	近 40 g
可选项:	带扁平插针 0.8 x 6.3 mm 计数器订货号 3.138.X51.XXX

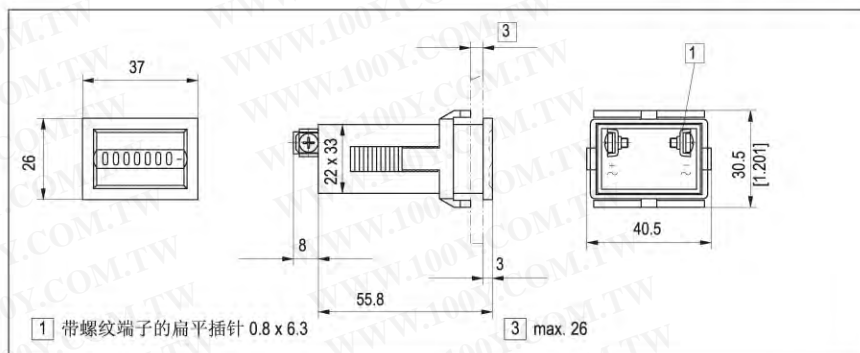
型号代码 :



计时器

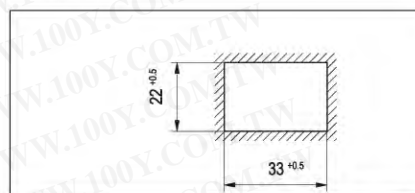


17. 251. 39系列

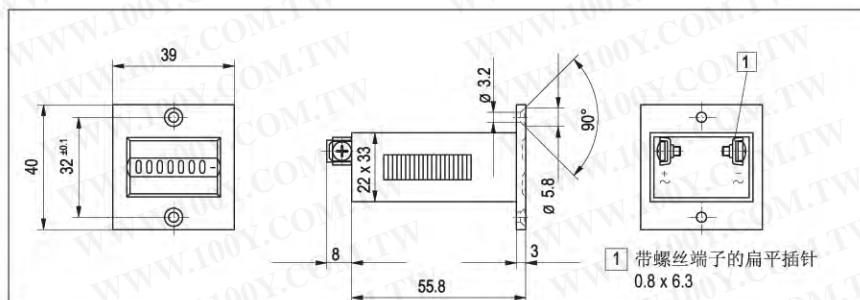


电压	订货号(AC), 50 Hz	订货号(AC), 60 Hz	订货号(DC)
10 ... 30			3.130.251.351
20 ... 30	3.130.251.071	3.130.251.081	
36 ... 80			3.130.251.353
42 ... 48	3.130.251.072	3.130.251.082	
100 ... 130	3.130.251.074	3.130.251.084	
187 ... 264	3.130.251.075	3.130.251.085	
360 ... 440	3.130.251.079	3.130.251.089	

面板开口尺寸

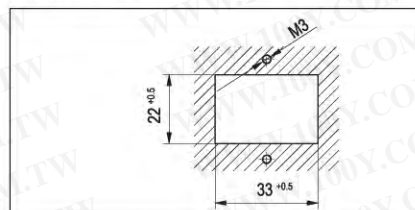


HK 17. 151. 39

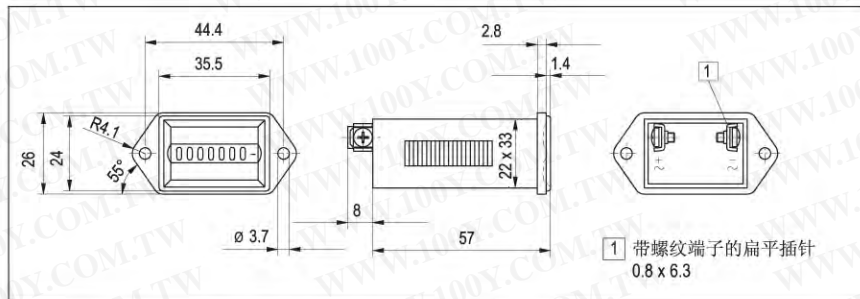


电压	订货号(AC), 50 Hz	订货号(AC), 60 Hz	订货号(V DC)
10 ... 30			3.130.151.351
20 ... 30	3.130.151.071	3.130.151.081	
36 ... 80			3.130.151.353
42 ... 48	3.130.151.072	3.130.151.082	
100 ... 130	3.130.151.074	3.130.151.084	
187 ... 264	3.130.151.075	3.130.151.085	
360 ... 440	3.130.151.079	3.130.151.089	

面板开口尺寸

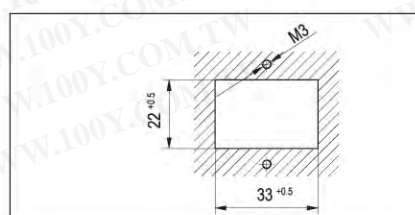


HK 17. 451. 39



电压	订货号(AC), 50 Hz	订货号(AC) 60 Hz	订货号(V DC)
10...30			3.130.451.351
20...30	3.130.451.071	3.130.451.081	
36...80			3.130.451.353
42...48	3.130.451.072	3.130.451.082	
100...130	3.130.451.074	3.130.451.084	
187...264	3.130.451.075	3.130.451.085	
360...440	3.130.451.079	3.130.451.089	

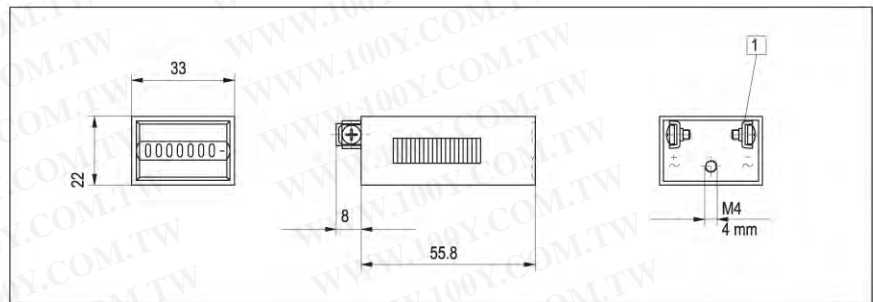
面板开口尺寸



计时器

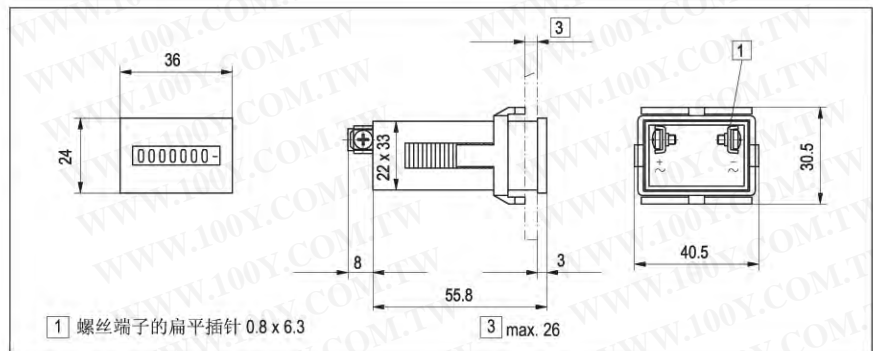


HK 17.051.39

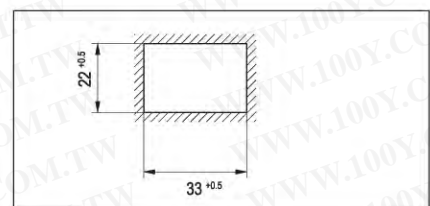


电压	订货号(AC), 50 Hz	订货号(AC), 60 Hz	订货号(V DC)	1 螺纹端子的扁平插针 0.8 x 6.3
10 ... 30			3.130.051.351	
20 ... 30	3.130.051.071	3.130.051.081		
36 ... 80			3.130.051.353	
42 ... 48	3.130.051.072	3.130.051.082		
100 ... 130	3.130.051.074	3.130.051.084	3.130.051.381	
187 ... 264	3.130.051.075	3.130.051.085		
360 ... 440	3.130.051.079	3.130.051.089		

HK 17.251.56



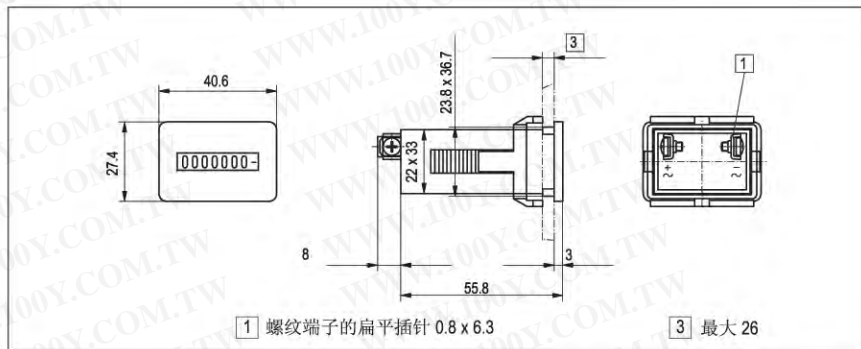
电压	订货号(V AC), 50 Hz	订货号(V AC), 60 Hz	订货号(V DC)	面板开口尺寸
10 ... 30			3.130.251.351.056	
20 ... 30	3.130.251.071.056	3.130.251.081.056		
36 ... 80			3.130.251.353.056	
42 ... 48	3.130.251.072.056	3.130.251.082.056		
100 ... 130	3.130.251.074.056	3.130.251.084.056	3.130.251.381.056	
187 ... 264	3.130.251.075.056	3.130.251.085.056		
360 ... 440	3.130.251.079.056	3.130.251.089.056		



计时器



HK 17.511

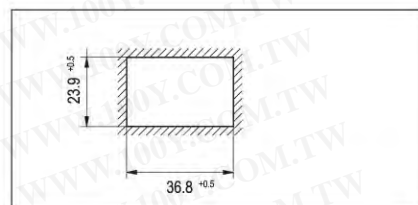


1 螺纹端子的扁平插针 0.8 x 6.3

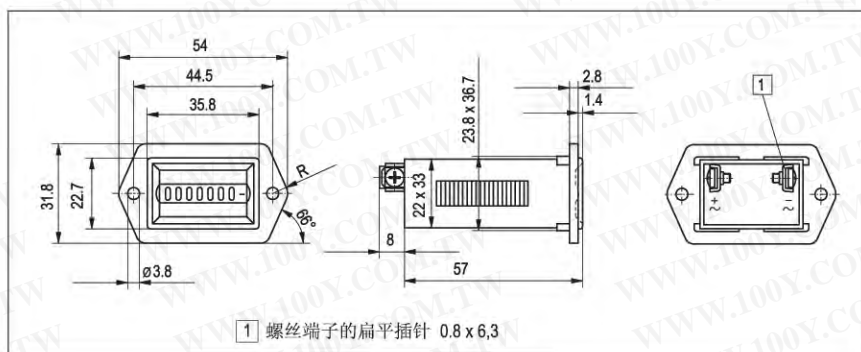
3 最大 26

电压	订货号 (AC), 50 Hz	订货号 (AC), 60 Hz	订货号 (V DC)
10 ... 30			3.130.511.351
20 ... 30	3.130.511.071	3.130.511.081	
36 ... 80			3.130.511.353
42 ... 48	3.130.511.072	3.130.511.082	
100 ... 130	3.130.511.074	3.130.511.084	3.130.511.381
187 ... 264	3.130.511.075	3.130.511.085	
360 ... 440	3.130.511.079	3.130.511.089	

面板开口尺寸



HK 17.611



1 螺纹端子的扁平插针 0.8 x 6.3

电压	订货号 (AC), 50 Hz	订货号 (AC), 60 Hz	订货号 (V DC)
10 ... 30			3.130.611.351
20 ... 30	3.130.611.071	3.130.611.081	
36 ... 80			3.130.611.353
42 ... 48	3.130.611.072	3.130.611.082	
100 ... 130	3.130.611.074	3.130.611.084	3.130.611.381
187 ... 264	3.130.611.075	3.130.611.085	
360 ... 440	3.130.611.079	3.130.611.089	

面板开口尺寸

