

Pulse counters, electromechanical

Mini counters

5 digits with reset (AC+DC)

W 15



The mini totalisers W 15 are manually resettable and have been designed for various front panel sizes in a wide variety of applications.

They offer an excellent price / performance ratio and are easy to operate.

勝特力材料 886-3-5753170
 勝特力电子(上海) 86-21-34970699
 勝特力电子(深圳) 86-755-83298787
[Http://www.100y.com.tw](http://www.100y.com.tw)

Characteristics

- 5-digit miniature pulse counter, adding with manual reset.
- Low power consumption.
- Available for all common DC and AC voltages.
- DIN housing 48 x 24 mm available.

Benefits

- Long service life (50 million pulses).
- Ideal for battery operation and electronic switching operations.

Applications

Machines and appliances, battery-powered devices, heat and water consumption measurement, establishing tolls and charges, general quantity counting.

Type series

| Description | Panel mount dimensions | Housing | Display | Type | Order information |
|--------------------------------|---------------------------|---------|------------|----------------|--|
| Panel mount with mounting clip | | | | | - Art.-No. - For special voltages, please give type, voltage, kind of voltage and series e.g.: W 15.21, 4.5 V DC/0 black |
| 34 x 23 mm [1.34 x 0.91"] | 31 x 20 mm [1.22 x 0.79"] | plastic | front side | W 15.21 | |
| 48 x 24 mm [1.89 x 0.94"] | 45 x 22 mm [1.77 x 0.87"] | plastic | front side | W 15.51 | |

| Accessories | Dimensions in mm [inch] | Order-No. |
|--|---|--|
| Adapter front bezel, 53 x 28 [2.09 x 1.10] | For cut-out 50 x 25 [1.97 x 0.98] to cut-out 45 x 22.2 [1.77 x 0.87], with clip mounting for counters 48 x 24 [1.89 x 0.94] | anthracite T008180 |
| Adapter front bezel, 56 x 40 [2.20 x 1.57] | For cut-out 50 x 25 [1.97 x 0.98] to cut-out 45 x 22.2 [1.77 x 0.87], with screw mounting for counters 48 x 24 [1.89 x 0.94] | anthracite T008181 |
| Adapter front bezel, 72 x 36 [2.83 x 1.42] | For cut-out 68 x 33 [2.68 x 1.30] to cut-out 45 x 22.2 [1.77 x 0.87], for counters 48 x 24 [1.89 x 0.94], as set | black and silver anodised 162704 Set |
| Adapter front bezel, 48 x 48 [1.89 x 1.89] | For cut-out 45 x 45 [1.77 x 1.77] to cut-out 45 x 22.2 [1.77 x 0.87], with clip mounting for counters 48 x 24 [1.89 x 0.94] | black T008883 |
| Adapter front bezel, 60 x 50 [2.36 x 1.97] | For cut-out 54 x 29 [2.13 x 1.14] to cut-out 45 x 22.2 [1.77 x 0.87], with screw mounting and gasket for counters 48 x 24 [1.89 x 0.94] | black N003001 |
| Transparent cover, lockable, IP65 | For cut-out 54 x 29 [2.13 x 1.14], for screw mounting to front bezel F1B or adapter front bezel N003001, for counters with cut-out 50 x 25 [1.97 x 0.98] or 45 x 22.2 [1.77 x 0.87] | N003002 |
| Sealing cover type K1, IP65 | Suitable for front bezel 60 x 50 [2.36 x 1.97] for screw mounting of electromech. counters and via adapter front bezel N003001, for counters 48 x 24 [1.89 x 0.94] | G008301 |
| Mounting frame with cut-out 50 x 25 [2.36 x 1.97] via separate adapter also for 45 x 22.2 [1.77 x 0.87] | For snap-on mounting on 35 [1.38] top-hat DIN rail, for counters 53 x 28 [2.09 x 1.10] and via separate adapter (T008180) for counters 48 x 24 [1.89 x 0.94] | chromated G300004 |

Suitable gaskets as well as further accessories can be found in the accessories section or in the accessories area of our website at: www.kuebler.com/accessories.

Pulse counters, electromechanical

| | | |
|----------------------|------------------------------------|-------------|
| Mini counters | 5 digits with reset (AC+DC) | W 15 |
|----------------------|------------------------------------|-------------|

| Technical data | | |
|---------------------------------|---|--|
| Electrical connection | Standard | flying leads, AWG 22 approx. 150 mm [5.91"] \varnothing 0.34 mm ² , 6 mm [0.24"] stripped wire ends, tinned |
| Rated voltage | type 05 (8 Hz) type 0 (10 Hz) type a0 (10 Hz) | 1.5 / 3 / 4.5 / 5 / 6 / 12 V DC (+15%, -5%) 12 / 24 / 48 / 115 / 230 V DC \pm 10% 12 / 24 / 48 / 115 / 230 V AC, \pm 10% |
| Cycle duration factor | | 100 % |
| Height of figures | | approx. 4 x 1.7 mm [0.16 x 0.067"] |
| Colour of figures | | white on black |
| Counting mechanism shaft | | stainless steel |
| Operating temperature | | -10°C ... +50°C [+14°F ... +122°F] (non-condensing) |
| Mounting position | | any |
| Operating life | | > 50 x 10 ⁶ pulses |
| Protection | | IP40 (front side) |
| Weight | | approx. 52 g [1.83 oz] |

| Options | | |
|--|---------------|--|
| Electrical connection | | <ul style="list-style-type: none"> - pin \varnothing 1.5 mm with push on connectors (Art.-No.: 1.151.X1X.XXX) - with flat pin 0.8 x 2.8 mm [0.032 x 0.11"] and flat push on connectors (Art.-No.: 1.159.X1X.XXX) - with flat pin 0.8 x 6.3 mm [0.032 x 0.25"] and flat push on connectors (Art.-No.: 1.155.XXX.XXX) - with screw terminal (Art.-No.: 1.154.XXX.XXX.023) |
| Colour of housing (availability see table) | grey black | Art.-No.: X.XXX.XX0.XXX Art.-No.: X.XXX.XX1.XXX |
| Extended temperature range | | on request |

Pulse counters

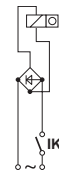
Connection diagram

type
0 a.1, DC



IK = Pulse contact

type
a, AC



| Type / Counting mechanism | | | | | | |
|---------------------------|------|----------------------|--------------------|---------------------|---|-----------------------------|
| Voltage | Type | Pulse frequency max. | Pulse on time min. | Pulse interval min. | Power consumption approx. | Permi. residual ripple max. |
| V DC | 05 | 8 Hz | 50 ms | 75 ms | 130 mW | 5 % |
| V DC | 0 | 10 Hz | 50 ms | 50 ms | 0.5 W (\leq 115 V) 1 W (185 V) | 48 % |
| V AC | a0 | 10 Hz | 50 ms | 50 ms | 0.75 VA (\leq 115 V) 1.5 VA (230 V) | – |

勝特力材料 886-3-5753170
勝特力电子(上海) 86-21-34970699
勝特力电子(深圳) 86-755-83298787
[Http://www.100y.com.tw](http://www.100y.com.tw)

Pulse counters, electromechanical

Mini counters

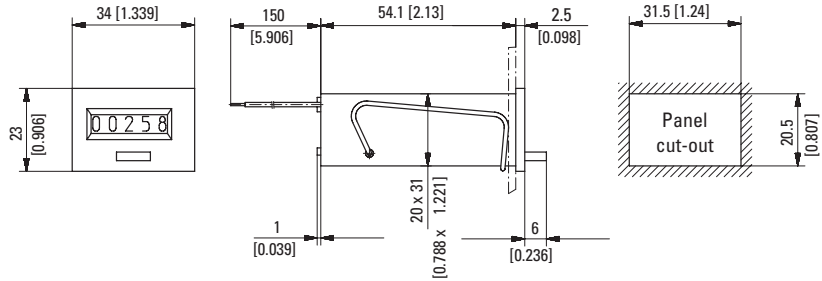
5 digits with reset (AC+DC)

W 15

Panel mount with mounting clip

Panel mount dimensions 31 x 20 [1.22 x 0.79]

Type W 15.21



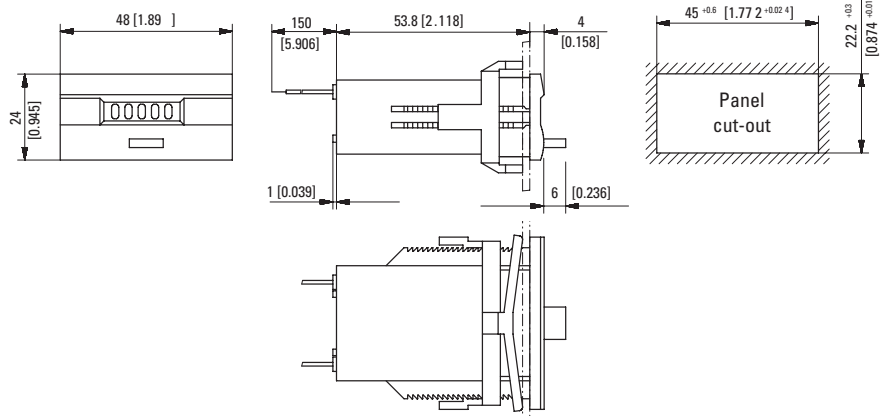
Colour of housing black: Art.-No. 1.150.211.XXX

| Type | Voltage | Display | Art.-No. | | | | Further stock types: |
|----------------|-----------------|----------|----------------------|------------------------------------|----------------------|------------------------------------|--|
| | | | 12 V | 24 V | 115 V | 230 V | |
| W 15.21 | DC (8 Hz) / 05 | 5 digits | 1.150.210.049 | 1.150.210.050 | | | 1.150.211.012 12 V DC/0 sw 1.150.211.013 24 V DC/0 sw 1.150.211.056 230 V AC/a0 sw |
| | DC (10 Hz) / 0 | | 1.150.210.012 | 1.150.210.013 ¹⁾ | | | |
| | AC (10 Hz) / a0 | | | 1.150.210.051 | 1.150.210.054 | 1.150.210.056 ¹⁾ | |

Panel mount with mounting clip

Panel mount dimensions 45 x 22 [1.77 x 0.87]

Type W 15.51



Colour of housing: standard anthracite

| Type | Voltage | Display | Art.-No. | | | |
|----------------|-----------------|----------|--|--|--|--|
| | | | 12 V | 24 V | 115 V | 230 V |
| W 15.51 | DC (8 Hz) / 05 | 5 digits | 1.150.510.049.550 | 1.150.510.050.550 | | |
| | DC (10 Hz) / 0 | | 1.150.510.012.550 ¹⁾ | 1.150.510.013.550 ¹⁾ | | |
| | AC (10 Hz) / a0 | | | 1.150.510.051.550 | 1.150.510.054.550 ¹⁾ | 1.150.510.056.550 ¹⁾ |

勝特力材料 886-3-5753170
 胜特力电子(上海) 86-21-34970699
 胜特力电子(深圳) 86-755-83298787
[Http://www.100y.com.tw](http://www.100y.com.tw)