

General Description

6 digit miniature adding counter without reset.
Power consumption min. 50 mW.
Power requirement on model 05 and impulse length of 50 ms = 2.5 mWs/impulse.
Long service life.
Available for all frequent DC- and AC-voltages.

Applications:

General event counting, vending and gaming machines, calorific and water consumption, copying machines.

Options:

1. Colour of housing:
W 16.00, W 16.20, W 16.90 black,
AW 16.00 light grey
2. Electrical connection:
Panel and base mount counter with round pins Ø 1.5 mm and push-on connectors
Art.-No.: 1.161.XXX.XXX.
same however with flat pins 0.8 x 2.8 mm and push-on connectors
Art.-No.: 1.169XXX.XXX
W 16.80 same as W 16.00 however with 4 round pins Ø 1,5 mm at the rear for standing PCB-mounting.
3. Extended temperature range

Type series:

Type	Housing	Display	Description
W 16.00	Plastic	Small side	Housing without front bezel, rear mounting
W 16.20	Plastic	Small side	Flush mount counter with spring clip
W 16.20.10	Plastic	Small side	Flush mount counter with spring clip, panel cut out 33 x 24 mm
W 16.30.31	Plastic	Small side	Flush mount counter with spring clip, panel cut out 32 x 23 mm
W 16.60	Metal sheet	Wide side	PCB-mount
W 16.70	Metal sheet	Small side	PCB-mount
W 16.90	Plastic	Small side	Flush mount with spring clip, panel cut-out 37,5 x 23,5 mm
AW 16.00	Plastic	Small side	Base mount
AW 16.80	Plastic	Small side	Base mount with 4 mounting holes
WB 16.00	Plastic	Small side	Counter without front bezel, rear stud mounting

Order information:

Art.-No.
If special voltages etc. are requested pls. state exact counter type, voltage, current and model. E. g. W 16.20; 4,5 VDC, 05, black

勝特力材料 886-3-5753170
勝特力电子(上海) 86-21-54151736
勝特力电子(深圳) 86-755-83298787
[Http://www.100y.com.tw](http://www.100y.com.tw)

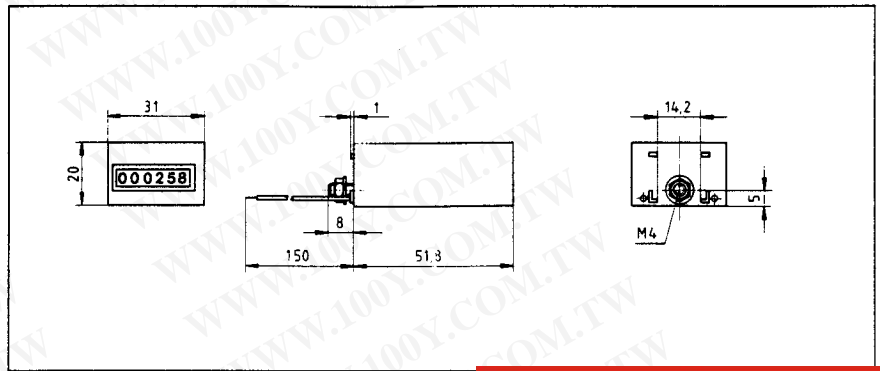
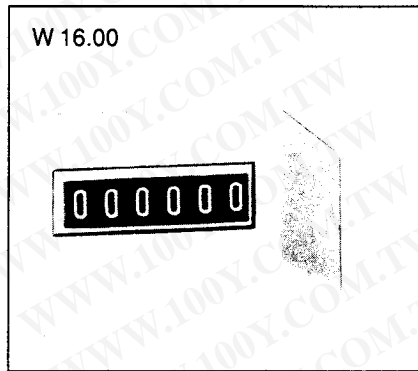
Counting mechanism:

Voltage	Model	Max. Pulse speed	Pulse on time	Pulse interval min.	Power consump. approx.	Residual ripple voltage max.
VDC	05	8	50 ms	75 ms	50 mW	5%
	0	10	50 ms	50 ms	0.5 W (\leq 110 V) 1 W (185 V)	48%
VAC	a0	10	50 ms	50 ms	0.75 W (\leq 115 V) 1,5 W (220 V)	48%

Technical data:

Electrical Connection on panel- and base mount models:
Flying leads approx. 150 mm long
PC-board mount and W 16:
Silver-plated pins 1.5 mm Ø
Colour of figures: White on black wheel.
Size of figures: appr. 1.7 x 4 mm
Colour of housing:
Panel mount models W 16.00, W 16.20, W 16.30 light grey
Base mount model AW 16.00, black
PC-board mount models W 16.60, W 16.70 black
Mounting position: Any
Shafts: Stainless steel

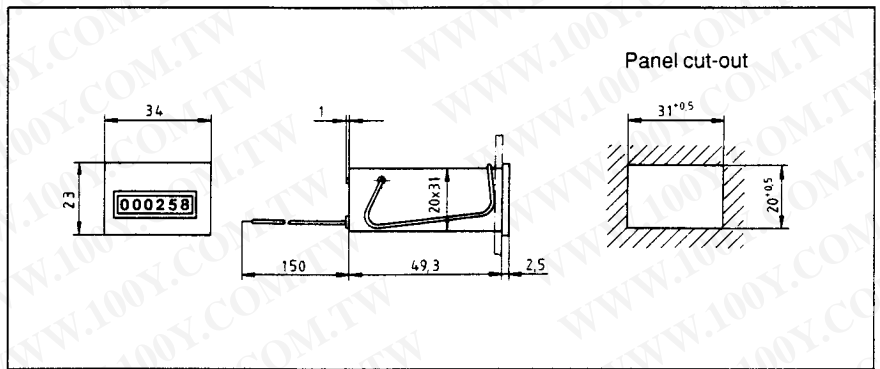
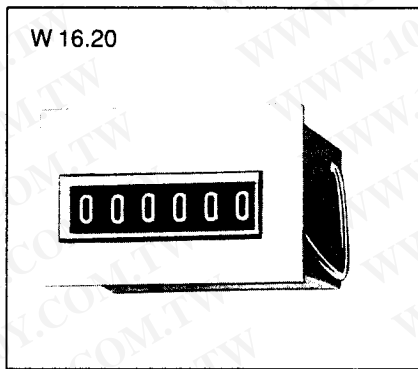
Rated voltages on model 05:
1; 1.5; 3; 4,5; 6; 9; 12 VDC + 15% – 5%
On model 0:
12 24 48 110 185 VDC
± 10%
On model a0:
24 48 110 220 VAC ± 10%
Percentage duty cycle: 100%
Weights: W 16.00 48 g
W 16.20, W 16.30 48 g
AW 16.00 48 g
W 16.60, W 16.70 52 g
Ambient temperature: – 10 up to + 50° C



W 16.00	12 V Art.-No.	24 V Art.-No.	110 V Art.-No.	220 V Art.-No.
DC (8 Imp/s)	1.160.000.049	1.160.000.050		
DC (10 Imp/s)	1.160.000.012	1.160.000.013		
AC (10 Imp/s)		1.160.000.051	1.160.000.054	1.160.000.056

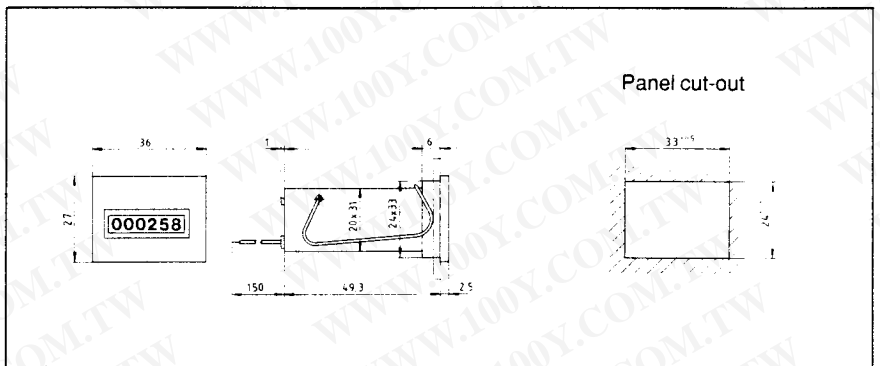
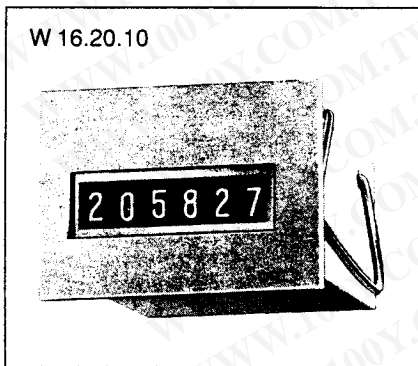
勝特力材料 886-3-5753170
 勝特力电子(上海) 86-21-54151736
 勝特力电子(深圳) 86-755-83298787
[Http://www.100y.com.tw](http://www.100y.com.tw)

Colour of housing black: Art.-No. 1.160.001.XXX



W 16.20	12 V Art.-No.	24 V Art.-No.	110 V Art.-No.	220 V Art.-No.
DC (8 Imp/s)	1.160.200.049	1.160.200.050		
DC (10 Imp/s)	1.160.200.012	1.160.200.013		
AC (10 Imp/s)		1.160.200.051	1.160.200.054	1.160.200.056

Colour of housing black: Art.-No. 1.160.201.XXX



W 16.20.10	12 V Art.-No.	24 V Art.-No.	110 V Art.-No.	220 V Art.-No.
DC (8 Imp/s)	1.168.250.049	1.168.250.050		
DC (10 Imp/s)	1.168.250.012	1.168.250.013		
AC (10 Imp/s)		1.168.250.051	1.168.250.054	1.168.250.056

Colour of housing black: Art.-No. 1.168.251.XXX