

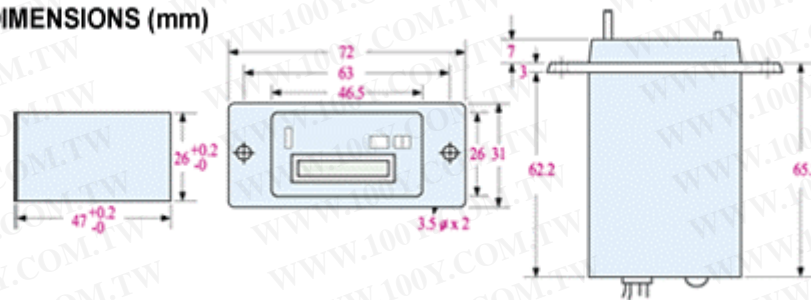
ELECTRO-MAGNETIC COUNTER

Economical totalizer with push button reset, suitable for amusement equipment, machine tools, office machines, test instruments, ...etc.

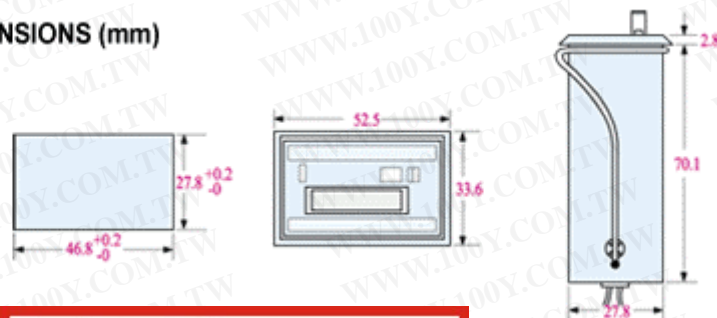


Specs. / Models	LFC-5, LFC-5S, LFC-6, LFC-6S	
Voltage	AC110V, 220V	DC-12V, 24V
Tolerance	Rated Voltage -15% ~ +10%	
Consumption	3VA	3.5W
Counting Speed	10 CPS	
Life	20,000,000 Times	
Test	AC-1, 500V (50/60Hz) 1 minute (Dielectric)	

LFC-5 DIMENSIONS (mm)

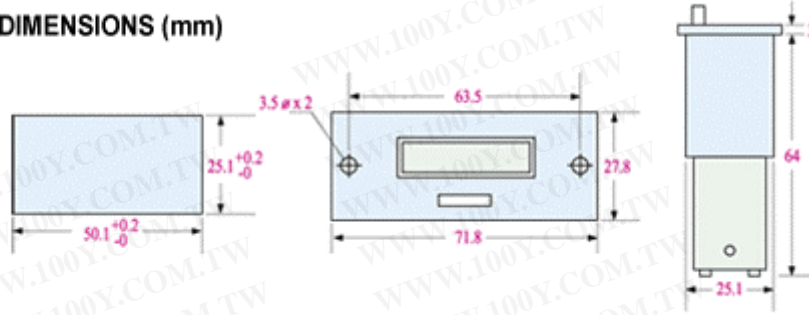


LFC-5S DIMENSIONS (mm)

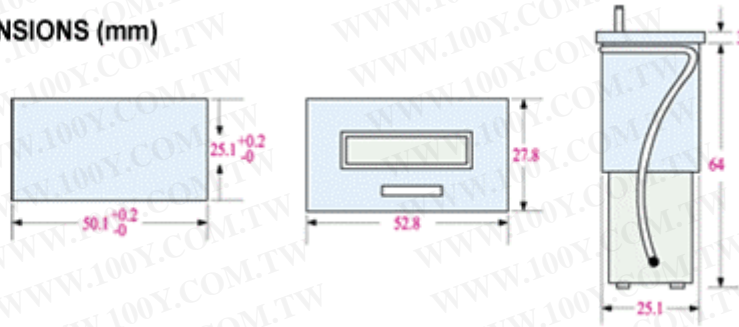


勝特力材料 886-3-5753170
 勝特力电子(上海) 86-21-34970699
 勝特力电子(深圳) 86-755-83298787
[Http://www.100y.com.tw](http://www.100y.com.tw)

LFC-6 DIMENSIONS (mm)



LFC-6S DIMENSIONS (mm)



MACHINE COUNTER



LFC-5P-RS

LFC-5P-RS DIMENSIONS (mm)

SPECIFICATIONS :

Digit : 5

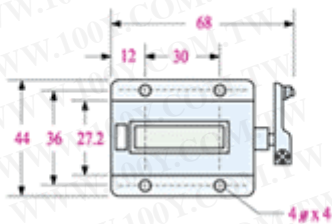
Max. Speed : 800 Times / Minute

Weight : 68g

Color : Gray

勝特力材料 886-3-5753170
勝特力电子(上海) 86-21-34970699
勝特力电子(深圳) 86-755-83298787
[Http://www.100y.com.tw](http://www.100y.com.tw)

LFC-5P-RS DIMENSIONS (mm)



ELECTRO-MAGNETIC COUNTER (W/O RESET)

Economical totalizer with push button reset, suitable for amusement equipment, machine tools, office machines, test instruments, ...etc.



LFC-6N



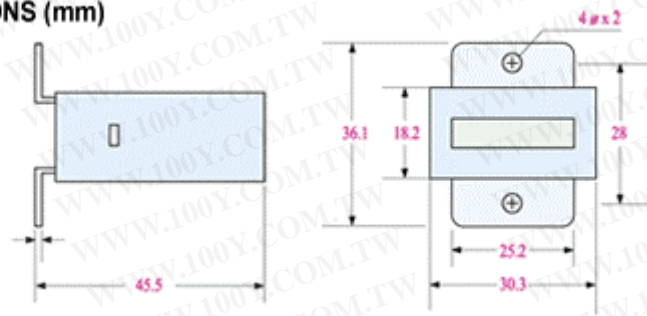
LFC-6NS



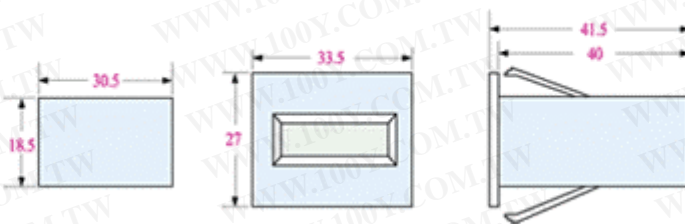
LFC-6NN

Specs. / Models	LFC-6N, LFC-6NS, LFC-6NN
Voltage	DC-12V, 6V
Tolerance	Rated Voltage -15% ~ +10%
Consumption	3.5W
Counting Speed	10 CPS
Life	10,000,000 Times
Test	AC-1, 500V (50/60Hz) 1 minute (Dielectric)

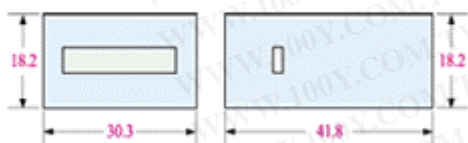
LFC-6N DIMENSIONS (mm)



LFC-6NS DIMENSIONS (mm)



LFC-6NN DIMENSIONS (mm)



勝特力材料 886-3-5753170
 勝特力电子(上海) 86-21-34970699
 勝特力电子(深圳) 86-755-83298787
[Http://www.100y.com.tw](http://www.100y.com.tw)