



Application

TB388-R Mechanical Time Switch is suit for water heater, Water dispensers, Street lamp, Staircase lamp, Advertising lamp boxes, Breed aquatics, Irrigate, Office power auto control, in anywhere need time control in home or

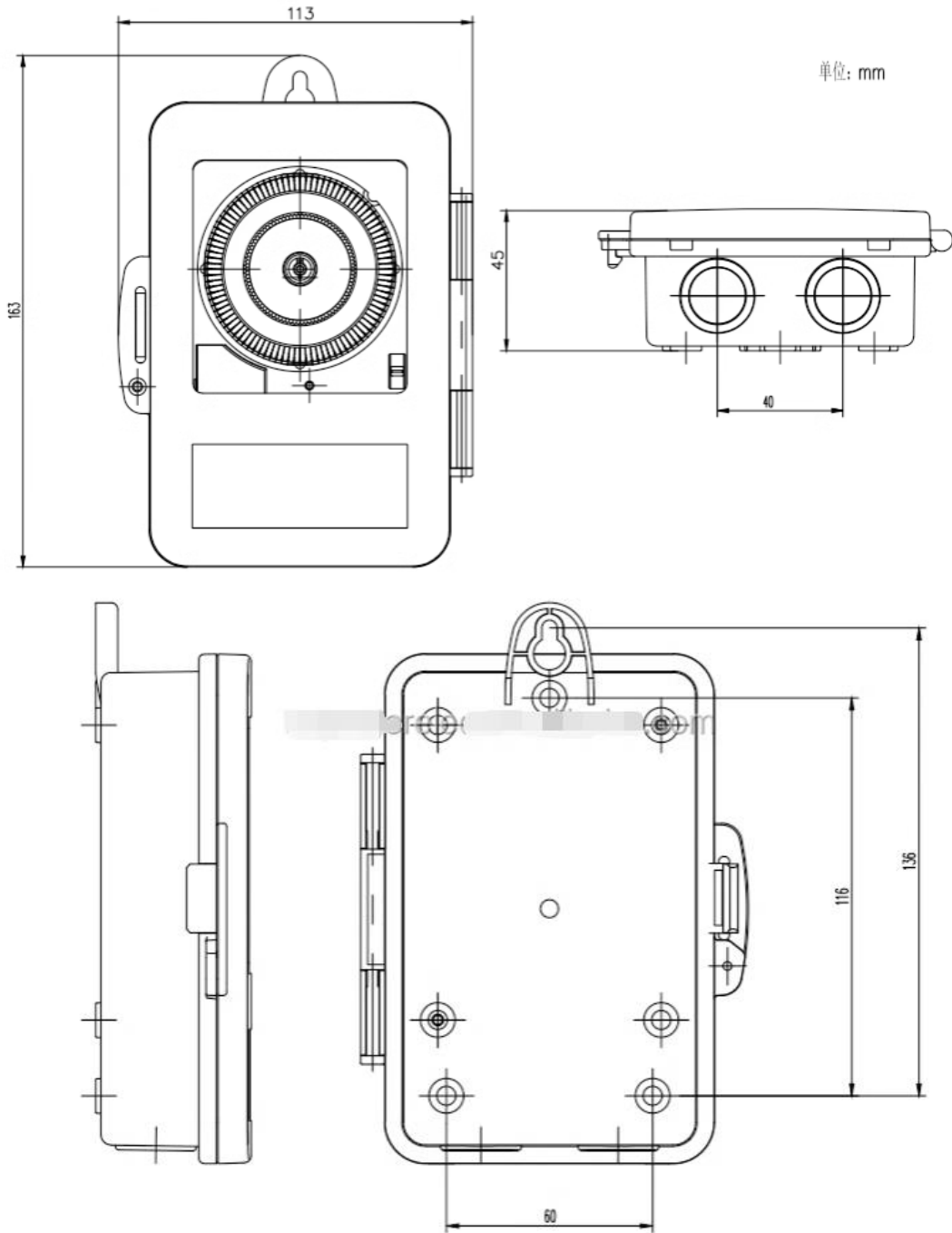
industrial, etc.

Specification

Rated voltage	100-240VAC	
Voltage tolerance	85-264VAC	
Frequency	50/60HZ(common use)	
Power consumption	110VAC:1W, 220VAC 2W	
Drive method	Quartz controlled current frequency	
Cycle	24 hours	
Load	Circuit	Separate circuit (voltage is not applied to the load circuit)
	Switch construction	SPST
	Manual ON/OFF	ON/AUTO/OFF switch
	Capacity	Resistive load 20A Incandescent lamp 10A
setting	Present time setting	Turn the minute control knob in the center clock
	ON/OFF program setting	15 Minutes
	Minimum unit	15 Minutes
	Minimum interval	15 Minutes
	No.of ON/OFF operations	96 operations
Working reserve time	300hours	
Ambient temperature	-10°C~+50°C	
Ambient humidity	Max.85%	
weight	250g	



产品尺寸



品牌Brand	定制	品名Description	定时开关
型号Type	TB388-R	电流Electricity	20A
电压Pressure	100V~240V AC	频率Frequency	50/60Hz
开关次数	48ON/48OFF	保护等级	IP 53
安装方式	导轨安装	停电补偿	300小时