

# 交流電壓, 電流隔離傳送器 (AC CURRENT & VOLTAGE ISOLATED TRANSMITTER)

MODEL  
TA



## ■特點(FEATURES)

- 精確度0.1%滿刻度(TRMS),0.25%滿刻度(RMS) (Accuracy 0.1%F.S.(TRMS),0.25%F.S.(RMS))
- 多種輸入輸出選擇(Wide selection of input/output range)
- 輸入與輸出絕緣耐壓 2仟伏特/1分鐘(Dielectric strength 2KVac/1 min.(input/output))
- 寬範圍交直流兩用電源設計(Wide input range for auxiliary power)
- 尺寸小,穩定性高(Dimension small & High stability)

1. MODEL: TA-□ □ □ □ -> CTB  
(選購型號)

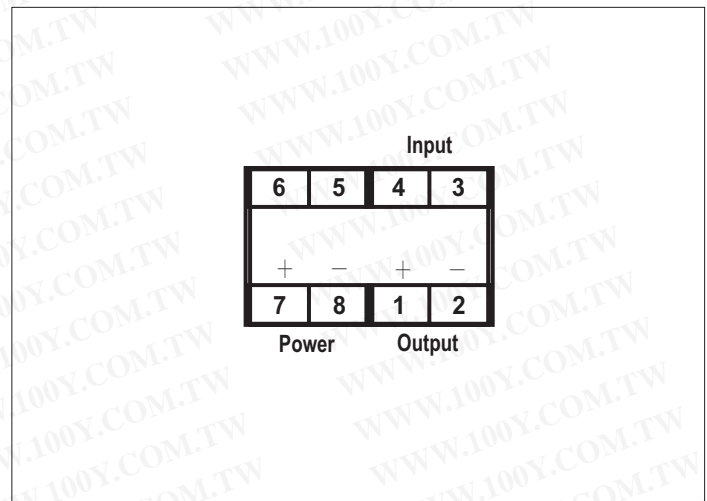
CTB(diode block) is supplied to protect the current transformer from burning when the loop is open

NO	Input Type	NO	Input Range	NO	Input Range	NO	Output Range	NO	Output Range	NO	Aux. Power
A	Voltage(RMS)	1	AC0~36V	6	AC0~1A	A	0~50mV	F	0~1mA	A	AC/DC 18~60V
B	Voltage(TRMS)	2	AC0~110V	7	AC0~5A	B	0~1V	G	0~10mA	B	AC/DC 90~260V
C	Current(RMS)	3	AC0~150V	8	AC0~10A	C	1~5V	H	0~20mA	C	AC110V(50/60Hz)±20%
D	Current(TRMS)	4	AC0~220V	9	SPECIFIED	D	0~10V	I	4~20mA	D	AC220V(50/60Hz)±20%
		5	AC0~300V			E	2~10V	R	SPECIFIED		•Less 3VA for AC/DC input

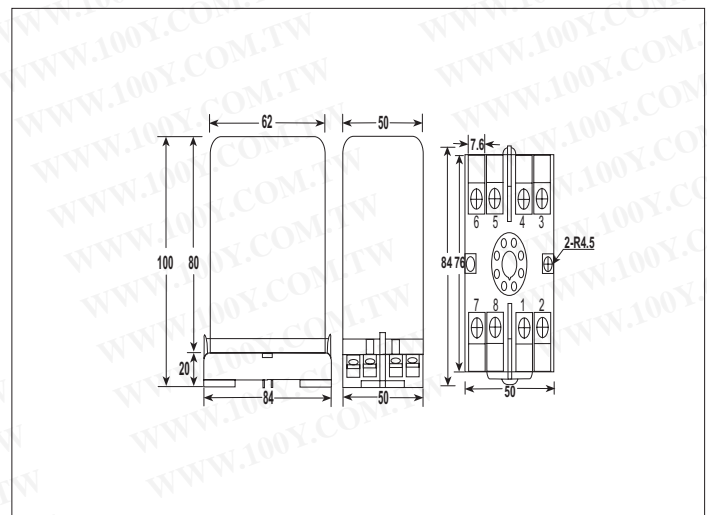
## 2.SPCIFICATION (主要規格)

- Measuring accuracy (精確度) : 0.1% F.S. (TRMS)  
0.25% F.S. (RMS)
- Input burden (輸入負載) : <0.2VA
- Input frequency (輸入頻率) : AC40~70Hz
- Maximum input over (最大過載能力) : Current related input: 3 x rated continuous  
10 x rated 30 sec., 25 x rated 3 sec.,  
50 x rated 1 sec.  
Voltage related input: maximum 2 x rate continuous
- Response time (輸出反應時間) : <250ms (0~90%)
- Output drive capability (輸出負載能力) : <10mA for voltage mode  
<10V for current mode
- Output ripple(p-p) (輸出漣波) : <0.1% F.S.
- Zero (offset) range (歸零調整範圍) : 0~±5% F.S.
- Span (scale) range (最大值調整範圍) : 0~±10% F.S.
- Temp. coefficient (溫度係數) : 100ppm/°C (0~50°C)
- Isolation (隔離特性) : Input/Output/Power/Case
- Insulation Resistance (絕緣阻抗) : >100Mohm with 500V DC
- Dielectric strength (絕緣耐壓能力) : 2KVac/1 min. (input/output/power)  
1600Vdc (input/output)
- Operating condition (使用環境條件) : 0~60°C (20 to 90% RH non-condensed)
- Storage condition (存放環境條件) : 0~70°C (20 to 90% RH non-condensed)
- Construction (安裝方式) : Socket/plugin type with barrier terminals
- CE EMC Certification (CE 認證) : EN 55022:1998/A1:2000 Class A  
EN 61000-3-2:2000  
EN 61000-3-3:1995/A1:2001  
EN 55024:1998/A1:2001

## 3.TERMINAL CONNECTION (接線圖)



## 4.DIMENSION(unit:mm) (外型尺寸)



勝特力材料 886-3-5753170  
勝特力电子(上海) 86-21-34970699  
勝特力电子(深圳) 86-755-83298787  
Http://www.100y.com.tw