

# 直流信號隔離傳送器 (DC SIGNAL ISOLATED TRANSMITTER)

MODEL  
TD



## ■特點(FEATURES)

- 精確度0.1%滿刻度 (Accuracy 0.1%F.S.)
- 多種輸入輸出選擇(Wide selection of input/output range)
- 輸入與輸出絕緣耐壓 2仟伏特/1分鐘(Dielectric strength 2KVvac/1 min.(input/output))
- 寬範圍交直流兩用電源設計(Wide input range for auxiliary power)
- 尺寸小,穩定性高(Dimension small & High stability)

## 1.MODEL:TD-□□ □□

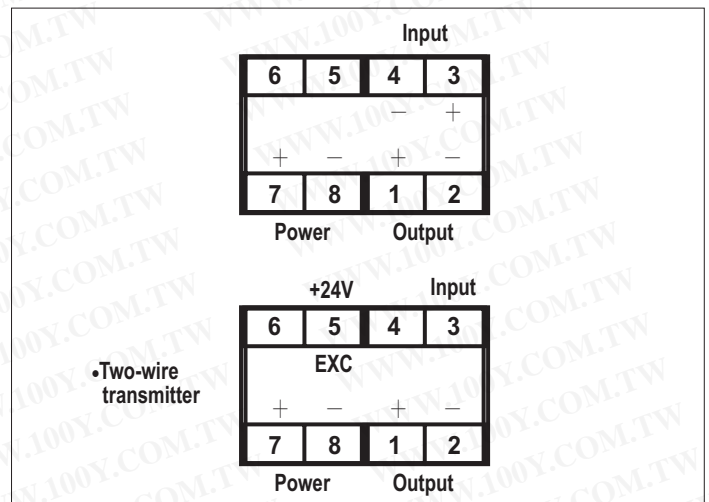
(選購型號)

NO	Input Range	NO	Input Range	NO	Input Range	NO	Input Range	NO	Output Range	NO	Output Range	NO	Aux. Power
10	0~10mV	15	0~10V	20	0~1mA	25	• 4~20mA	A	0~50mV	F	0~1mA	A	AC/DC 18~60V
11	0~50mV	16	2~10V	21	0~10mA	29	SPECIFIED	B	0~1V	G	0~10mA	B	AC/DC 90~260V
12	0~1V	17	-10~+10V	22	0~20mA	• Exciting DC24V(<25mA) (two-wire transmitter)		C	1~5V	H	0~20mA	C	AC110V(50/60Hz)±20%
13	0~5V	18	0~100V	23	4~20mA			D	0~10V	I	4~20mA	D	AC220V(50/60Hz)±20%
14	1~5V	19	0~200V	24	10~50mA	E	2~10V	R	SPECIFIED	• Less 3VA for AC/DC input			

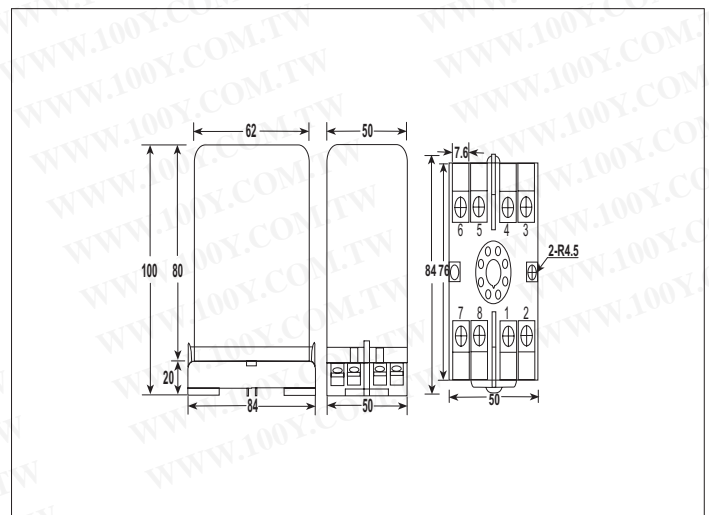
## 2.SPCIFICATION (主要規格)

- Measuring accuracy (精確度) : 0.1% F.S. (23±5°C)
- Input resistance (輸入阻抗) : >100Mohm (<2V range)  
>2Mohm (>2V range)  
<100 ohm (current input)
- Maximum input (最大過載能力) : <600Vrms (>2V ranges)  
<150Vrms (<2V ranges)  
<150mA (current ranges)
- Response time (輸出反應時間) : <250ms (0~90%)
- Output drive capability (輸出負載能力) : <10mA for voltage mode  
<10V for current mode
- Output ripple(p-p) (輸出漣波) : <0.1% F.S.
- Zero (offset) range (歸零調整範圍) : 0~±5% F.S.
- Span (scale) range (最大值調整範圍) : 0~±10% F.S.
- Temp. coefficient (溫度係數) : 100ppm/°C (0~50°C)
- Isolation (隔離特性) : Input/Output/Power/Case
- Insulation Resistance (絕緣阻抗) : >100M ohm with 500V DC
- Dielectric strength (絕緣耐壓能力) : 2KVvac/1 min. (input/output/power)  
1600Vdc (input/output)
- Operating condition (使用環境條件) : 0~60°C (20 to 90% RH non-condensed)
- Storage condition (存放環境條件) : 0~70°C (20 to 90% RH non-condensed)
- Construction (安裝方式) : Socket/plugin type with barrier terminals
- CE EMC Certification (CE 認證) : EN 55022:1998/A1:2000 Class A  
EN 61000-3-2:2000  
EN 61000-3-3:1995/A1:2001  
EN 55024:1998/A1:2001

## 3.TERMINAL CONNECTION (接線圖)



## 4.DIMENSION(unit:mm) (外型尺寸)



勝特力材料 886-3-5753170  
 勝特力电子(上海) 86-21-34970699  
 勝特力电子(深圳) 86-755-83298787  
[Http://www.100y.com.tw](http://www.100y.com.tw)