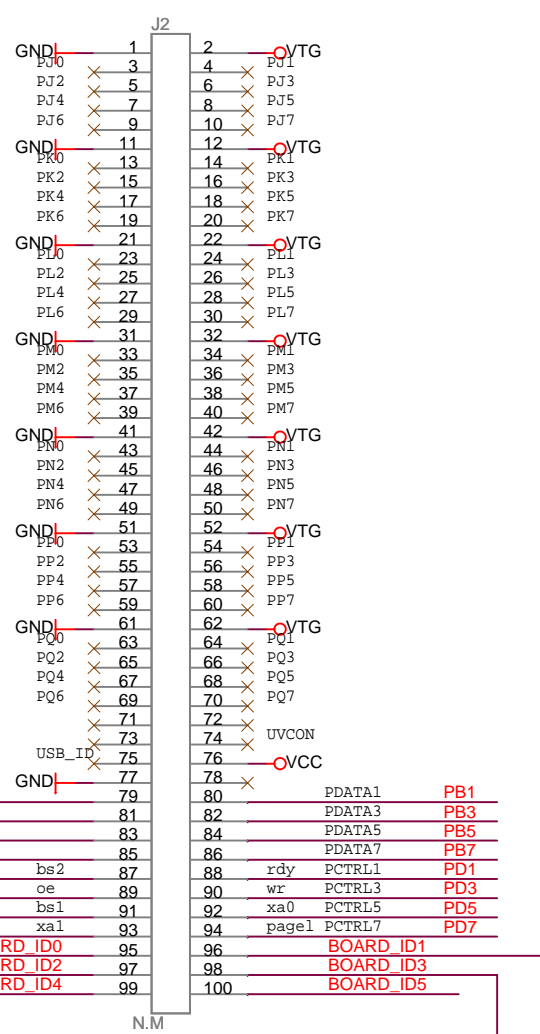
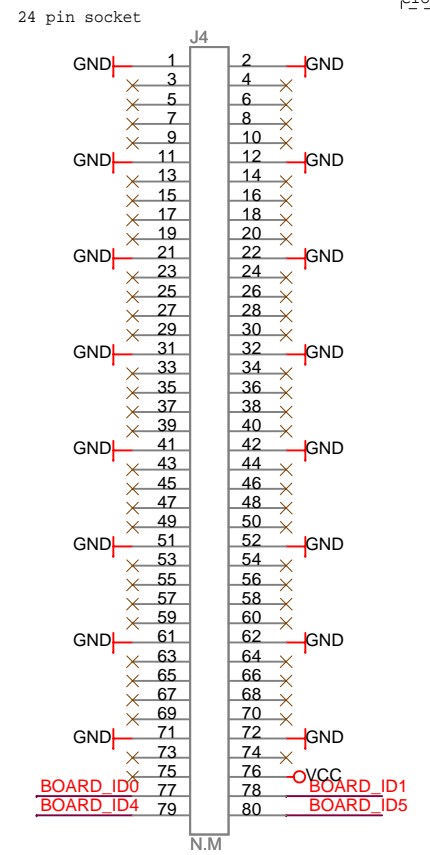
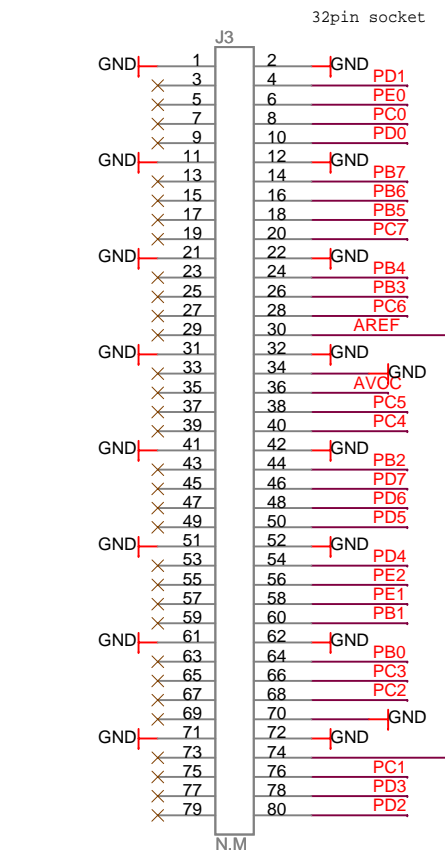
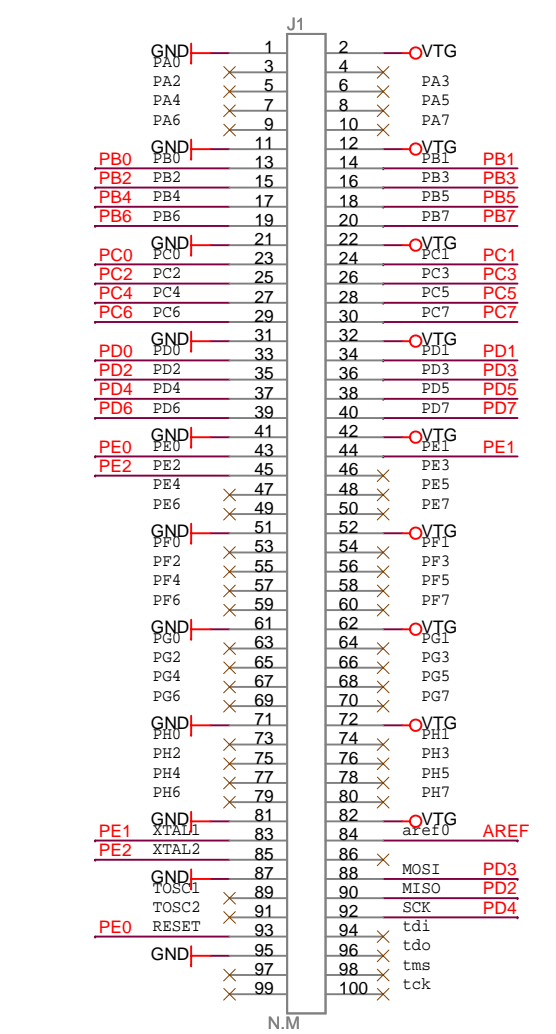
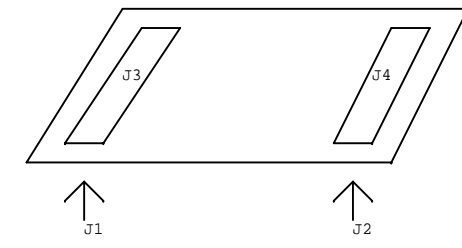
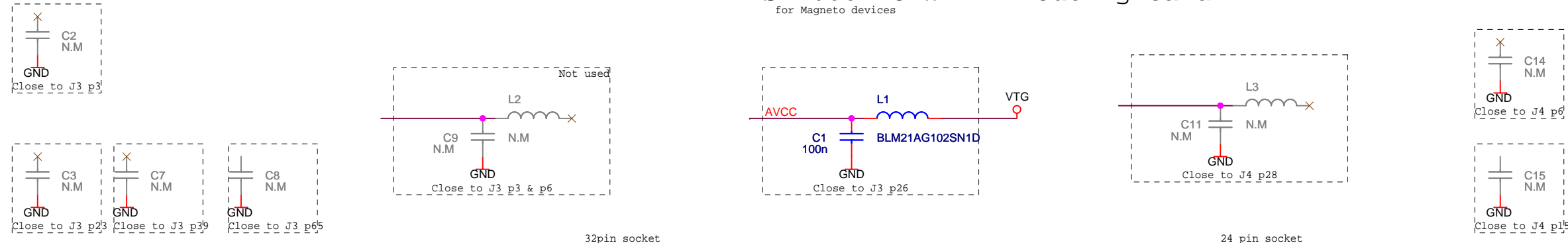


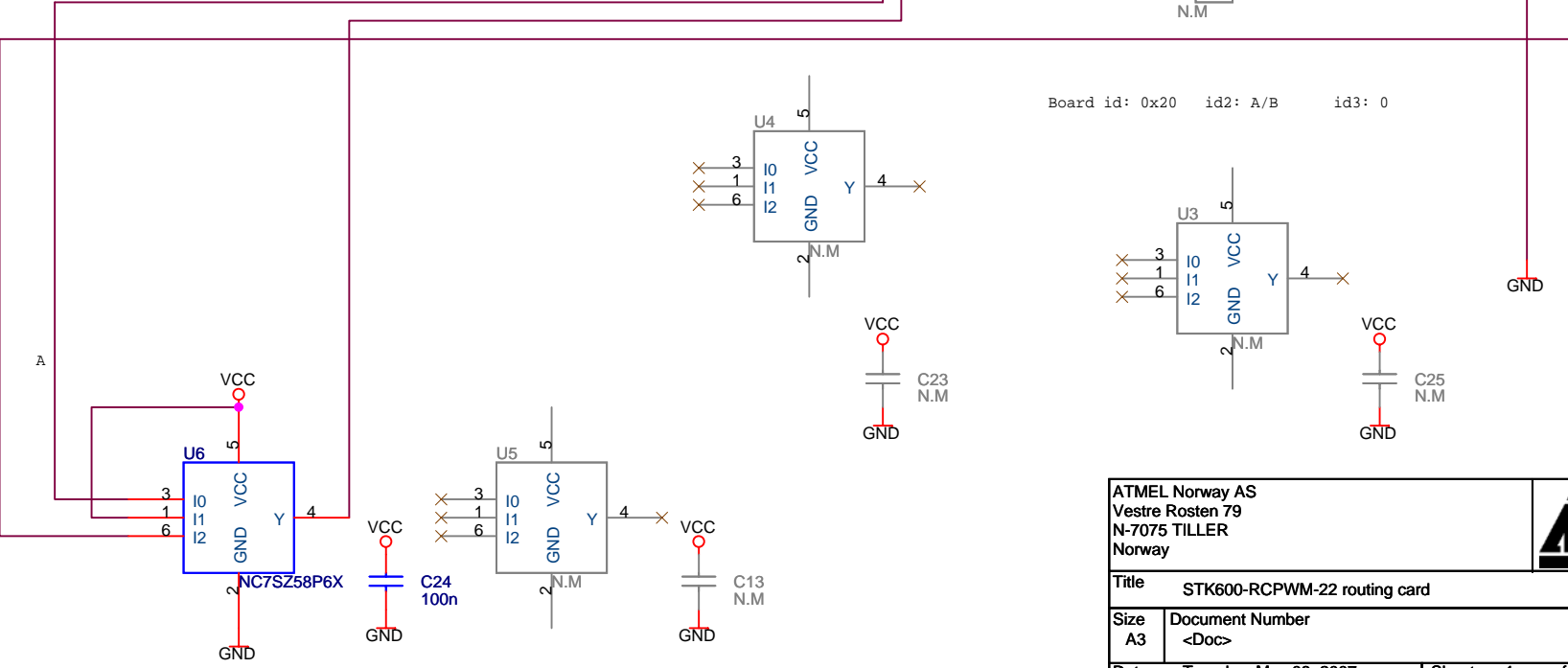
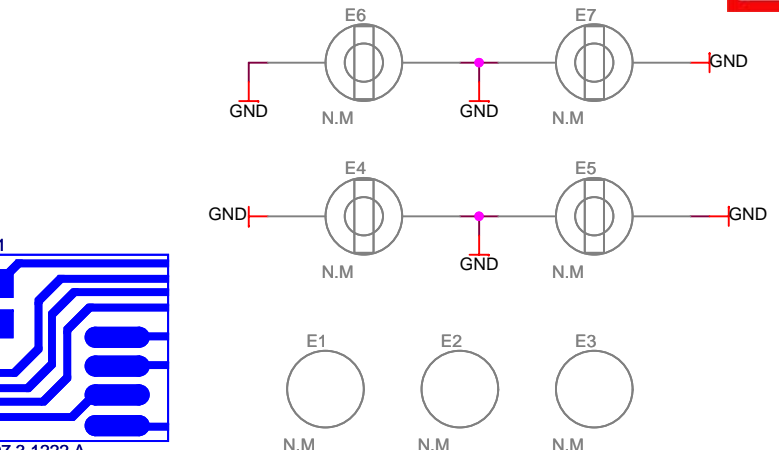
# STK600-RCPWM-22 Routing card

for Magneto devices

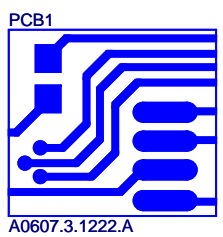
J3 and J4 mates up to the socket card, while J1 and J2 goes down to the mother board. J1 is physical placed below J3, and J2 below J4.



勝特力電材超市-龍山店 886-3-5773766  
 勝特力電材超市-光復店 886-3-5729570  
 勝特力电子(上海) 86-21-34970699  
 勝特力电子(深圳) 86-755-83298787  
<http://www.100y.com.tw>



ATMEL Norway AS Vestre Rosten 79 N-7075 TILLER Norway		
Title STK600-RCPWM-22 routing card		
Size A3	Document Number <Doc>	Rev A
Date: Tuesday, May 08, 2007	Sheet 1 of 1	



# Mouser Electronics

Authorized Distributor

Click to View Pricing, Inventory, Delivery & Lifecycle Information:

[Microchip:](#)

[ATSTK600-RC22](#)