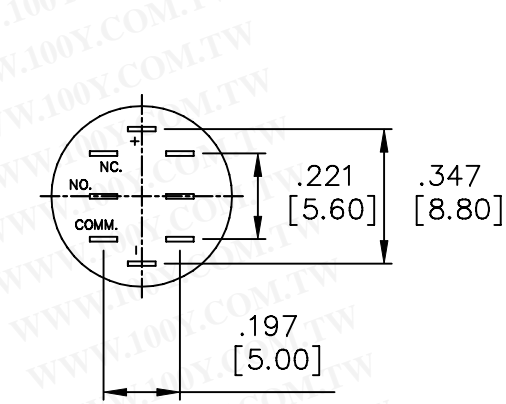
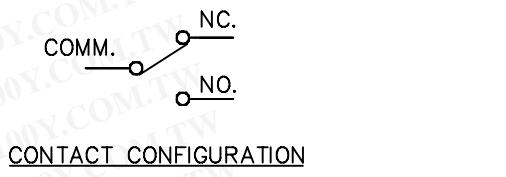
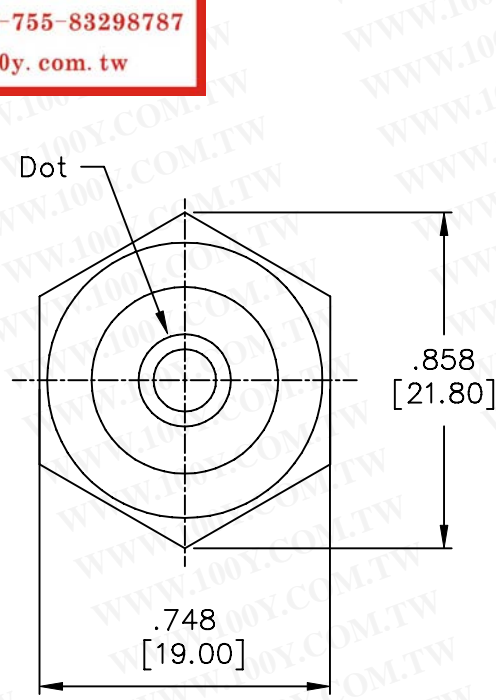
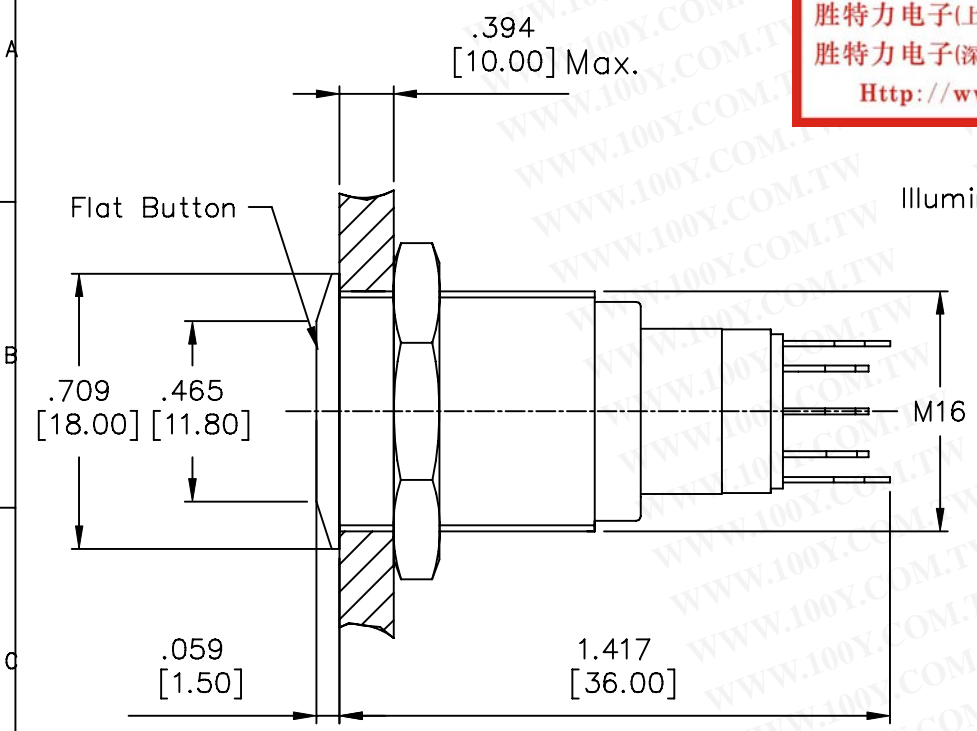


REV. 更改	DESCRIPTION 說明	ENG. 修改人	APPR. 審核
------------	-------------------	-------------	-------------

勝特力材料 886-3-5753170  
 勝特力电子(上海) 86-21-34970699  
 勝特力电子(深圳) 86-755-83298787  
[Http://www.100y.com.tw](http://www.100y.com.tw)



"x"	LED Color
R	Red
G	Green
Y	Yellow
O	Orange
B	Blue
W	White

**SPECIFICATIONS:**

- Contact Rating: 3A @ 250VAC.
- Electrical Life: 50,000cycles.
- Contact Resistance: 50m-ohms max (initial).
- Insulation Resistance: 1,000M-ohms min @ 500VDC.
- Dielectric Strength: 2,000V RMS 50~60Hz.
- Operating Temperature: -20°C ~ +55°C.
- Switching Circuit: ON-MOM.
- IP Class: IP67 protection.
- Torque: 5~14Nm max. applied to nut.
- Operating Force: 4N max.

**MATERIALS:**

- Bushing & Button: Refer to below table
- Contact: Silver alloy.
- Nut: Nickel plated brass.
- Base: PBT.

Code	Bushing & Button Material
B3	Nickel plated brass with varnished polished
B31	Gold plated brass with varnished polished
B32	Stainless steel with varnished polished

ITEM NO. 料號	AV02L-B3-M3-FD-R-6V
----------------	---------------------

OTHERWISE SPECIFIED DIMENSIONS ARE IN MILLIMETERS ANGULAR TOLERANCE: ±1.0°		USED 用途 AV		APPD. 審核 Amy 2007/11/29	
FINISH 處理		SCALE 2 / 1 UNIT in(mm)		CHKD. 校對 Amy 2007/11/29	
DIMENSIONS TOLERANCE		DR. 製圖 Amy 2007/11/29		TITLE 名稱 Anti-Vandal Switch	
0.00 TO 30.00mm	±0.20mm	DWG NO. 圖號 AV02L-B3-M3-FD-R		SIZE 圖紙 A4	
30.01 TO 80.00mm	±0.25mm	FILE NAME 檔案名稱 AV02LB3M3FD.DWG		SHEET 1 / 1	
80.01 TO 150.00mm	±0.30mm	REV. 更改 1		REV. 更改 1	
150.01 +	±0.40mm	MATERIAL		文號 ER-013b	