

直流電機調速器 6V 12V 24V PWM 無極調速開關



類型：直流調速器

型號：CCM6C-1800

輸入電壓：6-30V

加工定制：是

頻率：21khz，(超出人耳的聽力範圍，意味著，調到低速時不再有煩人的嗡嗡聲！)

產品規格：

尺寸：60*50*28mm，四定位孔距板邊沿 5mm，定位孔直徑 3.2mm。

重量：65g

注意事項：

直流電源正負端子勿反接，否則調速為器可能損壞。

電機可以不分正負，當運行方向與期望不一致時，可以通過調整線序或開關位置來改變方向。

調整電位器旋鈕能改變調速器輸出占空比，電機轉速改變。

勝特力材料 886-3-5753170

勝特力电子(上海) 86-21-34970699

勝特力电子(深圳) 86-755-83298787

[Http://www.100y.com.tw](http://www.100y.com.tw)

CCM6C DC Motor Speed Controller (PWM)

CCM6C DC Motor Speed Controller allows controlling speed of a DC motor using a Pulse-Width-Modulated (PWM) DC voltage with a Duty Cycle fully adjustable from 5%-100%. The motor speed controller can provide a continuous current of 10A to your DC motor or other DC load.

The circuit includes two MOS tubes and the heat radiating effect is better. So it allows the more current.

Main technical parameters:

- Input supply voltage: 6V-30VDC
- The maximum output power: 300W
- The maximum continuous output current :10A;
The overload and short circuit protecting current is 20A
- PWM frequency: 21kHz
- Duty Cycle adjustable: 5%-100%

Specifications:

- Item size:60*50*28mm
- Two mounting holes of 3.2 mm each
- Net weight: 65g

勝特力材料 886-3-5753170
勝特力电子(上海) 86-21-34970699
勝特力电子(深圳) 86-755-83298787
[Http://www.100y.com.tw](http://www.100y.com.tw)

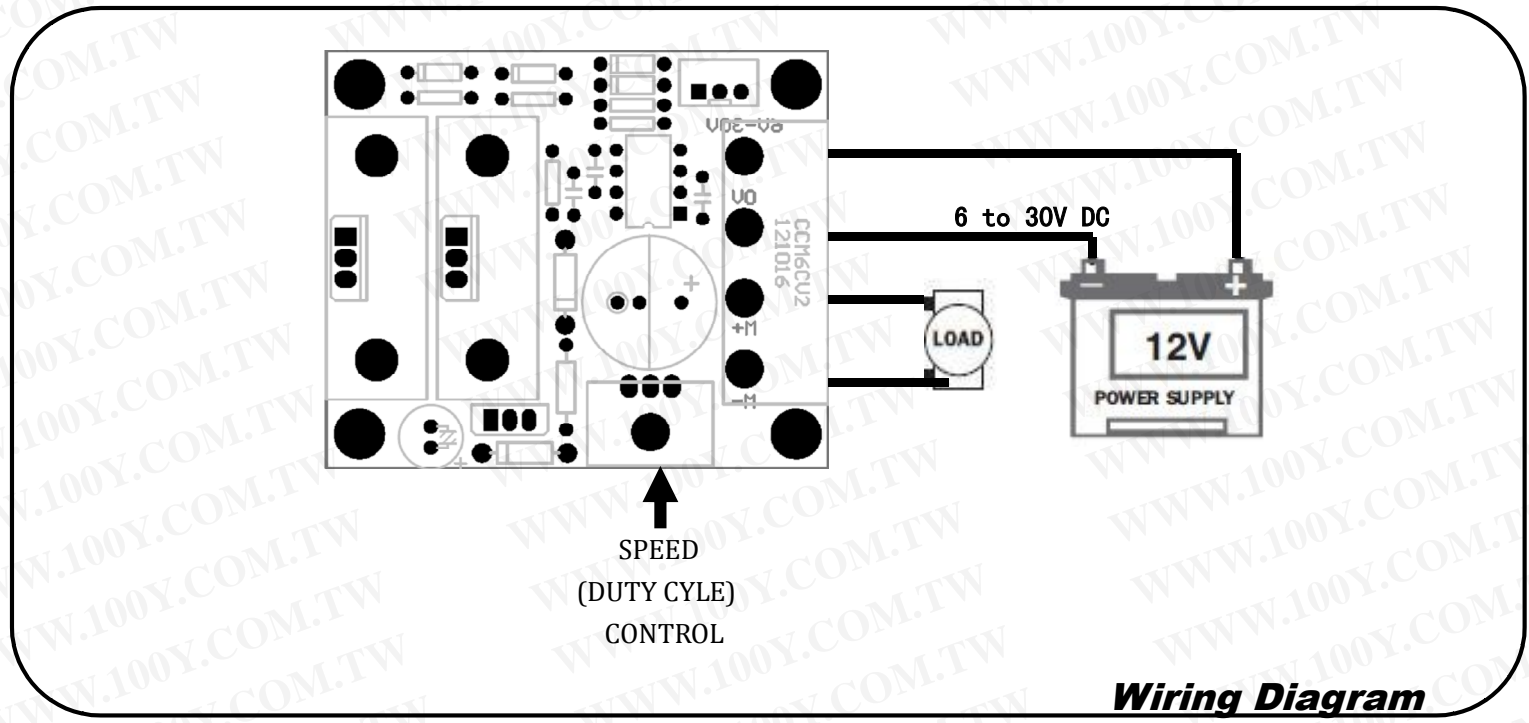
Operating instruction:

1. Connect your motor (or DC load) to the motor terminals as indicated on the wiring diagram.
2. Connect a voltage of 6 to 30V DC to the circuit making sure of the correct polarity of the connection. Note that the voltage applied to the motor will be supply voltage applied to the circuit. It is recommended to add an appropriately rated fuse inline with the positive supply in order to protect the circuit from any possible short circuits.
3. You can now control the speed of the motor through potentiometer.

Important Notes

An appropriately rated fuse (rated a little higher than the maximum current you expect to draw) is recommended to ensure safe operation.

The controller is NOT reverse-polarity protected and will be damaged if connect the supply voltage with wrong polarity. Double check all connections before applying power and always turn off the power supply before making any wiring changes.



勝特力材料 886-3-5753170
勝特力电子(上海) 86-21-34970699
勝特力电子(深圳) 86-755-83298787
[Http://www.100y.com.tw](http://www.100y.com.tw)