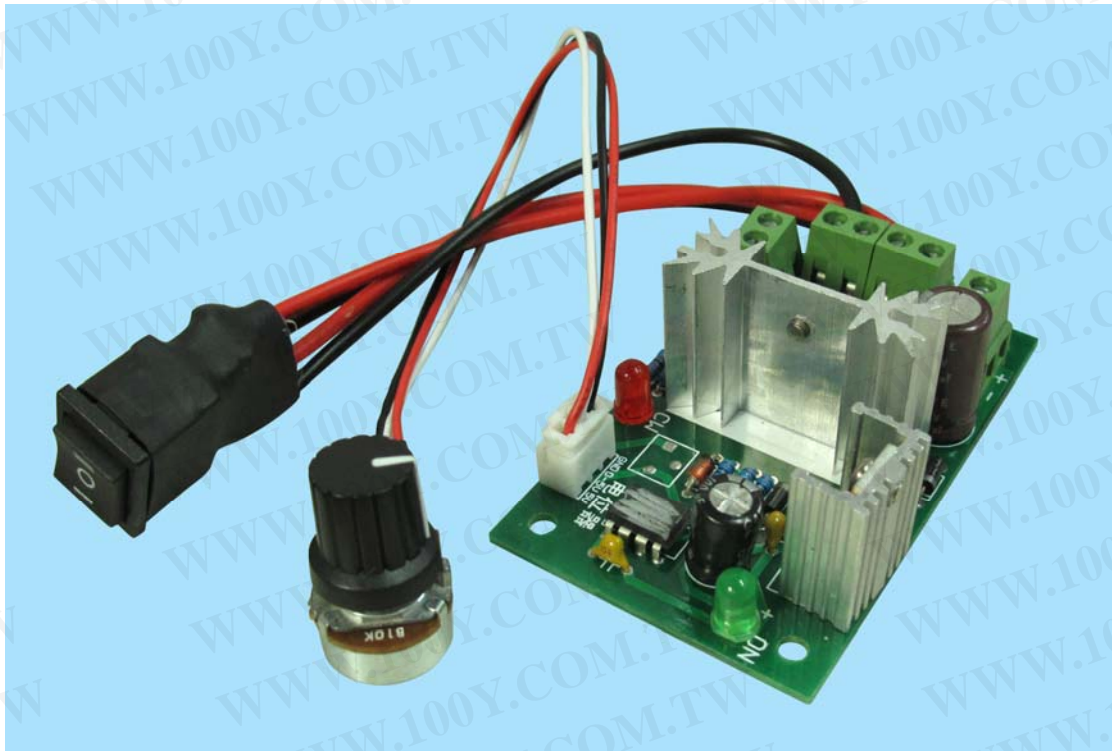


PWM 直流電機調速器 6V 12V 24V 30



額定電壓：6-30 (V)

額定功率：200 (W)

型號：CCM6N

額定電流：6 (A)

產品類型：有刷直流電動機

外形尺寸：60*55*28 (mm)

勝特力材料 886-3-5753170
勝特力电子(上海) 86-21-34970699
勝特力电子(深圳) 86-755-83298787
[Http://www.100y.com.tw](http://www.100y.com.tw)

CCM6N DC Motor Speed Controller (PWM)

CCM6N DC Motor Speed Controller allows controlling both the speed and direction of a DC motor using a Pulse-Width-Modulated (PWM) DC voltage with a Duty Cycle fully adjustable from 0%-100% (both Positive and Negative DC output).

The motor speed controller incorporates a high power MOSFET with a heat sink and can easily provide a continuous current of 6A to your DC motor or other DC load. The circuit also includes LED whose brightness varies proportional to the relative speed of the motor therefore giving a visual feedback of the current speed.

Main technical parameters:

- Input supply voltage: 6V-30VDC(max)
- the maximum output power: 200W
- the maximum continuous output current :6A;
The overload and short circuit protecting current is 10A
- PWM frequency: 16kHz
- Duty Cycle adjustable: 0%-100%
- Power-On LED indicator
- The positive inversion switch is used to control the direction and stop of the motor.
- Can adjust the speed by the external 0-5V signal

Specifications:

- Item size: 74*47*28mm
- Four mounting holes of 3.6 mm each
- Net weight: 72g

Operating instruction:

1. Connect your motor (or DC load) to the motor terminals as indicated on the wiring diagram.
2. Ensure the positive inversion switch located in the middle of the zero and connect a voltage of 6 to 30V DC to the circuit making sure of the correct polarity of the connection. Note that the voltage applied to the motor will be supply voltage applied to the circuit. It is recommended to add an appropriately rated fuse inline with the positive supply in order to protect the circuit from any possible short circuits.
3. You can now control both the speed of the motor through potentiometer. The LED's brightness will also increase and decrease proportionally to the relative speed of the motor.
4. You also can control the direction of the motor. Positive inversion switch is used to control the motor speed direction. And the center position of positive inversion switch will cause the motor to stop.

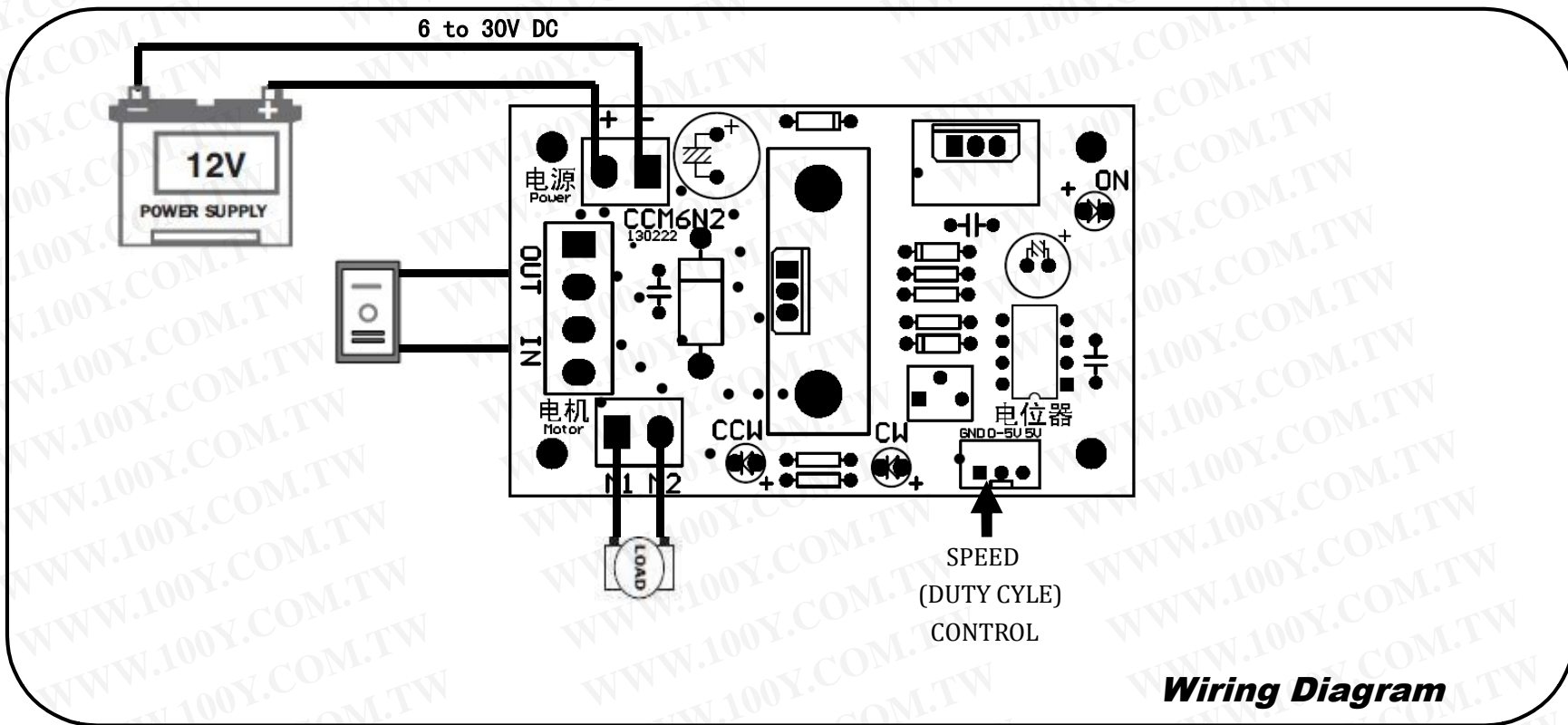
The use of 0-5V external voltage control line description

The speed controller supports the use of an external DC voltage control.

Using the following steps:

- **First**, remove potentiometer. (you may take it down from one side of the circuit board or potentiometer side down under your need);
- **Second**, connecting 0-5V DC control signal to the middle pin connector (mark 0-5V);
- **Third**, connecting the earth wire of 0-5V DC control signal to the connecting piece on the pin marking GND;

勝特力材料 886-3-5753170
勝特力电子(上海) 86-21-34970699
勝特力电子(深圳) 86-755-83298787
[Http://www.100y.com.tw](http://www.100y.com.tw)



勝特力材料 886-3-5753170
 勝特力电子(上海) 86-21-34970699
 勝特力电子(深圳) 86-755-83298787
[Http://www.100y.com.tw](http://www.100y.com.tw)

Important Notes

An appropriately rated fuse (rated a little higher than the maximum current you expect to draw) is recommended to ensure safe operation.

The controller is NOT reverse-polarity protected and will be damaged if connect the supply voltage with wrong polarity. Double check all connections before applying power and always turn off the power supply before making any wiring changes.