

LED dual function displays **6 count modes with tachometer (DC)** **Codix 52P**



The Codix 52P is a voltage-powered pulse counter/ position display with 4 different count input modes and separate tachometer.

With separate inputs, for fast and slow count pulses, with 6-digit LED display for NPN, PNP input signals.



| | | | | | | | | |
|---|---|--|--------------------------------------|---------------------------------------|---|---|-------------------------------------|---|
| DC 10 ... 30V Power supply | 000000 DIN 48 x 24 DIN front bezel | -20° + 65° Temperature range | IP65 High protection level | POS Menu-driven programming | max. 30 kHz Pulse counter/ Totaliser | 1/sec 1/min Frequency meter/ tachometer | POSITION Position display | t Hz HRA Frequency meter HRA |
|---|---|--|--------------------------------------|---------------------------------------|---|---|-------------------------------------|---|

Powerful

- Fast count and frequency input – input frequency max. 30 kHz
- Robust housing – IP65 protected
- Very bright LED display, 8 mm high, 6 digits
- Very accurate precise frequency measurement principle (HRA-High Rate Accuracy System)
Frequencies up to 38 Hz are calculated using time-interval (period duration) measurement. Frequencies > 38 Hz are calculated using a special time base (gate time) measurement. A very high accuracy of < 0.1% is achieved, even with very short gate times. The resulting measurement is available after a max. of 50 ms.
- Short start-up time – detects input pulses just 16 msec after being switched on => no pulses are lost with a simultaneous motor start-up

User-friendly and universal

- Large keys – can also be operated when wearing gloves
- Programming:
 - Simple uniform menu-driven programming and operation
 - Possible to enter the programming also during operation with a confirmation prompt
 - Pressing the right key switches between displays
- Individually programmable scaling: multiplication and division factor (0.0001...99.9999), to display corresponding engineering units, e.g. position in 1/10 mm and speed in RPM
- Separate factors for frequency- and pulse counting
- 4 different count input modes for the position display: 2-channel input for detecting count direction, difference or adding mode, quadrature x1, x2 or x4. 1 separate input for rotary speed and speed, display in 1/min or 1/sec
- Inputs: as an alternative to the HTL inputs, devices are available with a 4 ... 30 V DC input level, for use as parallel displays to PLCs

Multifunction devices

Order code **6.52P . 012 . 3X0**

a Input switching level
0 = Standard (HTL) ¹⁾
A = 4 ... 30 V DC

Delivery specification
– Digital counter
– Mounting clip
– Gasket
– Instruction manual, multilingual

– Front bezel for screw mounting (T008181)
56 x 40 mm [2.20 x 1.57"], panel cut-out 50 x 25 mm [1.97 x 0.98"]
– Front bezel for clip mounting (T008180)
53 x 28 mm [2.09 x 1.10"], panel cut-out 50 x 25 mm [1.97 x 0.98"]

勝特力材料 886-3-5753170
 勝特力电子(上海) 86-21-34970699
 勝特力电子(深圳) 86-755-83298787
 Http://www.100y.com.tw

1) Stock types

Multifunction devices, electronic

LED dual function displays 6 count modes with tachometer (DC) Codix 52P

| Accessories | Dimensions in mm [inch] | Order-No. |
|--|---|-------------------|
| Adapter front bezel, 72 x 36 [2.83 x 1.42] | For cut-out 68 x 33 [2.68 x 1.30] to cut-out 45 x 22.2 [1.77 x 0.87], for counters 48 x 24 [1.89 x 0.94], as set black and silver anodised | 162704 Set |
| Adapter front bezel, 48 x 48 [1.89 x 1.89] | For cut-out 45 x 45 [1.77 x 1.77] to cut-out 45 x 22.2 [1.77 x 0.87], with clip mounting for counters 48 x 24 [1.89 x 0.94] black | T008883 |
| Adapter front bezel, 60 x 50 [2.36 x 1.97] | For cut-out 54 x 29 [2.13 x 1.14] to cut-out 45 x 22.2 [1.77 x 0.87], with screw mounting and gasket for counters 48 x 24 [1.89 x 0.94] black | N003001 |
| Transparent cover, lockable, IP65 | For cut-out 54 x 29 [2.13 x 1.14], for screw mounting to front bezel F1B or adapter front bezel N003001, for counters with cut-out 50 x 25 [1.97 x 0.98] or 45 x 22.2 [1.77 x 0.87] | N003002 |
| Sealing cover type K1, IP65 | Suitable for front bezel 60 x 50 [2.36 x 1.97], for screw mounting of electromech. counters and via adapter front bezel N003001 for counters 48 x 24 [1.89 x 0.94] | G008301 |
| Mounting frame with cut-out 50 x 25 [2.36 x 1.97] via separate adapter also for 45 x 22.2 [1.77 x 0.87] | For snap-on mounting on 35 [1.38] top-hat DIN rail, for counters 53 x 28 [2.09 x 1.10] and via separate adapter (T008180) for counters 48 x 24 [1.89 x 0.94] chromated | G300004 |

Suitable gaskets as well as further accessories can be found in the accessories section or in the accessories area of our website at: www.kuebler.com/accessories.

Technical data

| General technical data | |
|--|--|
| Display | 6 digits, red 7 segment LED display; 8 mm [0.32"] high |
| Data backup | EEPROM |
| Operating temperature (non-condensing) | 10 ... 26 V DC -20°C ... +65°C [-4°F ... +149°F] > 26 ... 30 V DC -20°C ... +55°C [-4°F ... +131°F] |
| Storage temperature | -25°C ... +70°C [-13°F ... +158°F] |

| Electrical characteristics | |
|----------------------------|--|
| Power supply | 10 ... 30 V DC, with integrated reverse polarity protection |
| Current consumption | max. 40 mA |
| EMC | Emitted interference EN 55011 class B Immunity to interference EN 61000-6-2 |

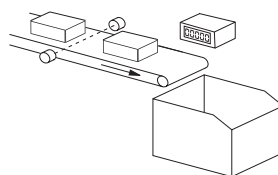
| Mechanical characteristics | |
|----------------------------|--|
| Housing | front panel mount 48 x 24 mm [1.89 x 0.94"] acc. to DIN 43700; RAL 7021, dark grey |
| Protection | IP65 (front side) |
| Weight | approx. 50 g [1.76 oz] |

| Inputs | |
|---|--|
| Polarity of inputs | programmable, NPN or PNP for all inputs |
| Input resistance | approx. 5 kΩ |
| Counting frequency ¹⁾ | max. 30 kHz, can be damped to 30 Hz |
| Display range | tachometer 1/min or 1/sec |
| Minimum pulse duration of the reset input | 5 ms |
| Input switching level (HTL) | LOW 0 ... 0.2 x U _B [V DC] HIGH 0.6 x U _B ... 30 V DC |
| Input switching level at 4 ... 30 V DC | LOW 0 ... 2 V DC HIGH 4 ... 30 V DC |
| Accuracy | < 0.1 % frequency meter, tachometer |

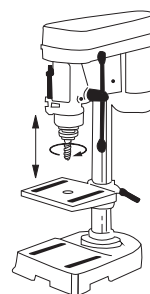
Applications for frequency and position display / totaliser

Position and rotary speed applications, e.g.

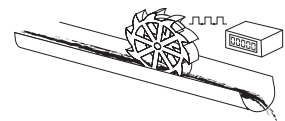
- OEM equipment or retrofitting to drilling machines
- OEM equipment on flow measuring plant, e.g. total flow and current flow
- Total piece count and pieces per minute, where the pulse counting occurs in the add/subtract mode, in order to deduct reject parts
- Production data acquisition: total piece count and production speed, or absolute distance traversed and current speed



Piece count on conveyor
and production speed



Rotary speed and drilling
depth



Flow rate and total
volume

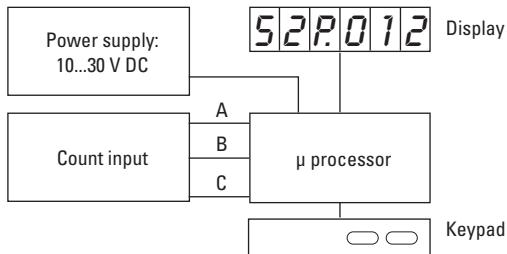
勝特力材料 886-3-5753170
 胜特力电子(上海) 86-21-34970699
 胜特力电子(深圳) 86-755-83298787
[Http://www.100y.com.tw](http://www.100y.com.tw)

1) Details see manual

Multifunction devices, electronic

LED dual function displays 6 count modes with tachometer (DC) Codix 52P

Block diagram



Terminal assignment



| PIN | DC version |
|-----|-------------------|
| 1 | 10 ... 30 V DC |
| 2 | 0 V GND |
| 3 | INP A (count) |
| 4 | INP B (count) |
| 5 | INP C (frequency) |

Function of the inputs INP A, INP B, INP C

INP A and INP B:

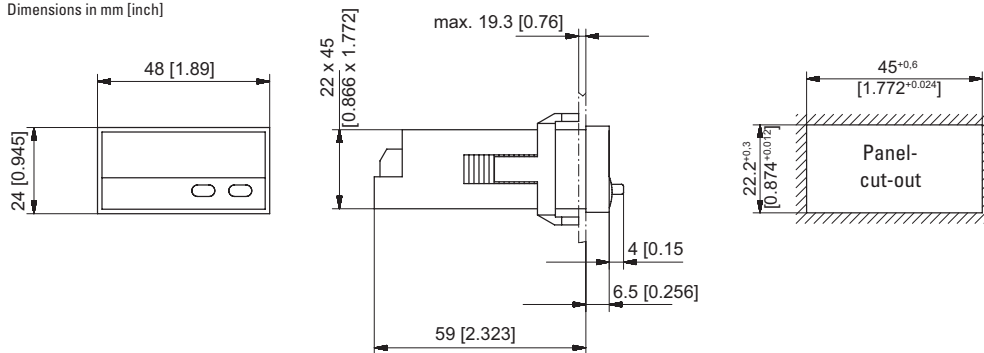
Two channel pulse input with 6 different count modes

INP C:

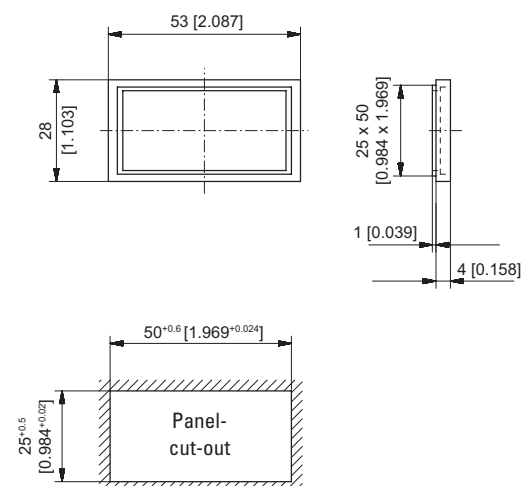
Frequency input, single channel

Dimensions

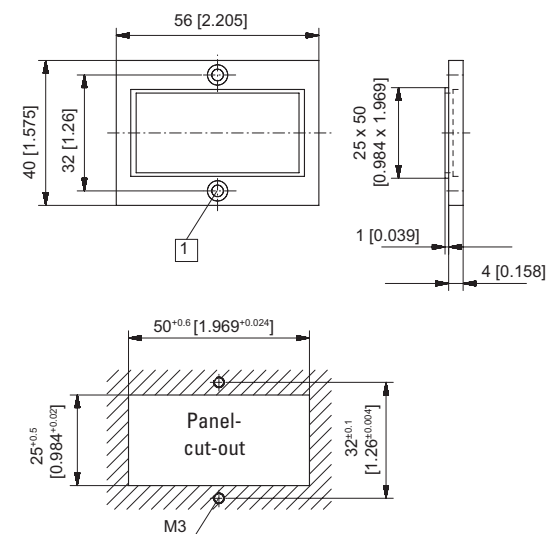
Dimensions in mm [inch]



Front bezel for clip mounting (included in delivery)



Front bezel for screw mounting (included in delivery)



1 Countersinking Af3, DIN 74

勝特力材料 886-3-5753170
 勝特力电子(上海) 86-21-34970699
 勝特力电子(深圳) 86-755-83298787
[Http://www.100y.com.tw](http://www.100y.com.tw)