

# Process displays

LED process displays

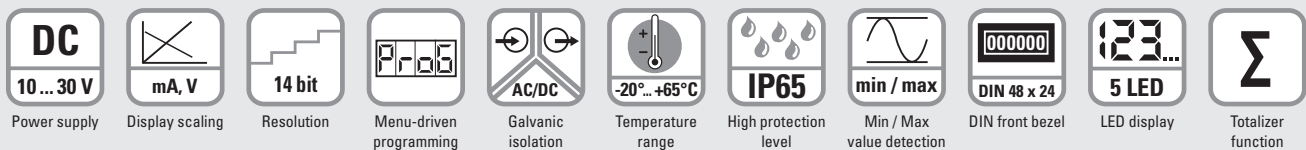
Standard signals with Min / Max value detection, totalizer

Codix 534



Cost-effective standard signal display for front panel mount with scalable bright 5-digit LED display.

The 14 bit resolution ensures an accurate measuring value display range with minimum and maximum value detection and scalable totalizer for time-controlled summation of the measured value.



## Product features

- Input range:  
1 current measuring input, 1 voltage measuring input.
- Compact display for standard signals.
- Display range -19 999 ... 99 999 with leading zeros suppression and programmable decimal point.
- Modern industrial design.
- Fast measuring time of max. 0.1 second.

## Benefits

- Galvanic isolation with protection against incorrect polarity.
- Autom. Min / Max value detection.
- Totalizer with programmable factor, divisor and decimal point.
- Freely programmable characteristic curve end points to adapt the desired display value.
- Input for display hold or reset input for Min / Max value and totalizer.

## Order no.

Display for analog signals with Min / Max value detection and totalizer

6.534.012.300 <sup>1)</sup>

### Delivery specification

- Digital display
- Mounting clip
- Gasket
- Front bezel for screw mounting (T008181) 56 x 40 mm [2.20 x 1.57"], panel cut-out 50 x 25 mm [1.97 x 0.98"]
- Front bezel for clip mounting (T008180) 53 x 28 mm [2.09 x 1.10"], panel cut-out 50 x 25 mm [1.97 x 0.98"]
- 1 set of self-adhesive symbols
- Instruction manual, multilingual

勝特力材料 886-3-5753170  
 勝特力电子(上海) 86-21-34970699  
 勝特力电子(深圳) 86-755-83298787  
[Http://www.100y.com.tw](http://www.100y.com.tw)

1) Stock types.

# Process displays

## LED process displays      Standard signals with Min/Max value detection, totalizer      Codix 534

Accessories	Dimensions in mm [inch]	Order no.
<b>Adapter front bezel, 72 x 36 [2.83 x 1.42]</b>	for cut-out 68 x 33 [2.68 x 1.30] to cut-out 45 x 22.2 [1.77 x 0.87], for counters 48 x 24 [1.89 x 0.94], as set      black and silver anodized	<b>162704 Set</b>
<b>Adapter front bezel, 48 x 48 [1.89 x 1.89]</b>	for cut-out 45 x 45 [1.77 x 1.77] to cut-out 45 x 22.2 [1.77 x 0.87], with clip mounting for counters 48 x 24 [1.89 x 0.94]      black	<b>T008883</b>
<b>Adapter front bezel, 60 x 50 [2.36 x 1.97]</b>	for cut-out 54 x 29 [2.13 x 1.14] to cut-out 45 x 22.2 [1.77 x 0.87], with screw mounting and gasket for counters 48 x 24 [1.89 x 0.94]      black	<b>N003001</b>
<b>Transparent cover, lockable, IP65</b>	for cut-out 54 x 29 [2.13 x 1.14], for screw mounting to front bezel F1B or adapter front bezel N003001, for counters with cut-out 50 x 25 [1.97 x 0.98] or 45 x 22.2 [1.77 x 0.87]	<b>N003002</b>
<b>Sealing cover type K1, IP65</b>	suitable for front bezel 60 x 50 [2.36 x 1.97], for screw mounting of electromech. counters and via adapter front bezel N003001 for counters 48 x 24 [1.89 x 0.94]	<b>G008301</b>
<b>Mounting frame</b> with cut-out 50 x 25 [2.36 x 1.97] via separate adapter also for 45 x 22.2 [1.77 x 0.87]	for snap-on mounting on 35 [1.38] top-hat DIN rail, for counters 53 x 28 [2.09 x 1.10] and via separate adapter (T008180) for counters 48 x 24 [1.89 x 0.94]      chromated	<b>G300004</b>

Suitable gaskets, other accessories and installation examples for optional accessories can be found in chapter accessories or in the accessories section under: [www.kuebler.com/accessories](http://www.kuebler.com/accessories).

### Technical data

General technical data	
<b>Display</b>	5 digits, red 7 segment LED display; 8 mm [0.32"] high
<b>Measuring rate</b>	10 or 2 measurements/second
<b>Data backup</b>	EEPROM
<b>Operating temperature</b>	-20°C ... +65°C [-4°F ... +149°F] (non-condensing)
<b>Storage temperature</b>	-25°C ... +70°C [-13°F ... +158°F]

Electrical characteristics	
<b>Power supply</b>	10 ... 30 V DC, galvanically isolated with integrated reverse polarity protection
<b>Current consumption</b>	max. 50 mA
<b>EMC standards</b>	EN 55011 class B EN 61000-6-2, EN 61000-6-3 EN 61326-1
<b>UL approval</b>	file E128604

Mechanical characteristics	
<b>Housing</b>	front panel mount 48x24 mm [1.89 x 0.94"] acc. to DIN 43700; RAL 7021, dark grey
<b>Protection</b>	IP65 (front side)
<b>Weight</b>	approx. 50 g [1.76 oz]
<b>Vibration resistance</b> acc. to EN 60068-2-6	10 ... 55 Hz / 1 mm [0.04"] / 30 min
<b>Shock resistance</b> acc. to EN 60068-2-27	100 G: 2 ms 10 G: 6 ms
<b>Connections</b>	screw terminal, pitch 5.08 mm [2"], 7 pin

Inputs	
<b>Input current measurement</b>	0 ... 20 mA (display range -0.5 ... 20.5 mA, programmable) 4 ... 20 mA (display range 3.5 ... 20.5 mA, programmable) current limitation voltage drop 50 mA max. 2 V DC
<b>Input voltage measurement</b>	0 ... 10 V (display range -0.5 ... 10.5 V, programmable) 2 ... 10 V (display range 1.5 ... 10.5 V, programmable) input resistance max. input signal level approx. 1 MΩ 30 V DC
<b>Control inputs</b> Latch/Reset	HIGH 4 ... 30 V DC LOW 0 ... 2 V DC
<b>Resolution</b>	14 bit
<b>Accuracy</b>	< 0.1 % ± 1 digit for the whole measuring range at an operating temperature of 20°C [68°F]
<b>Temperature drift</b>	< 70 ppm/K <sub>Ambient</sub>

### Terminal assignment



PIN	
1	10 ... 30 V DC
2	GND
3	GND
4	Latch
5	0 (4) ... 20 mA
6	Analog GND
7	0 (2) ... 10 V DC

勝特力材料 886-3-5753170  
 勝特力电子(上海) 86-21-34970699  
 勝特力电子(深圳) 86-755-83298787  
[Http://www.100y.com.tw](http://www.100y.com.tw)

# Process displays

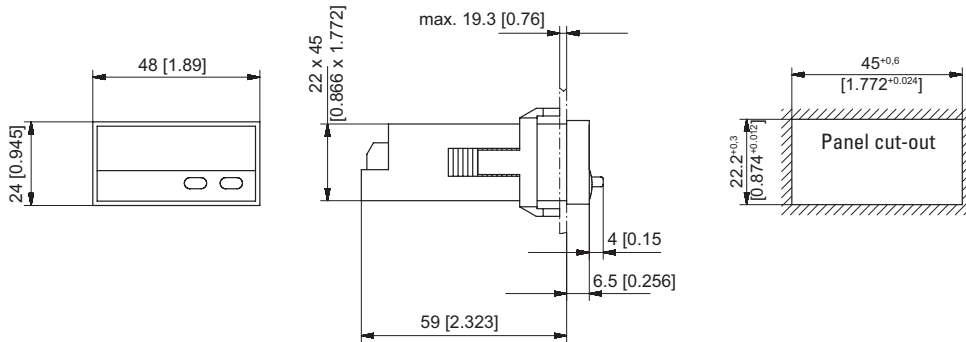
## LED process displays

## Standard signals with Min/Max value detection, totalizer

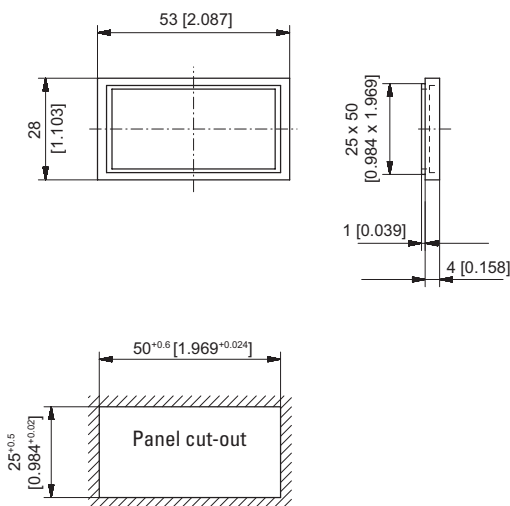
## Codix 534

### Dimensions

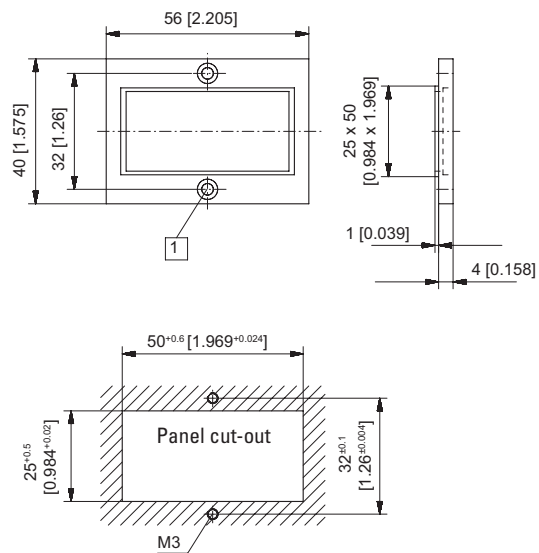
Dimensions in mm [inch]



### Front bezel for clip mounting (included in delivery)



### Front bezel for screw mounting (included in delivery)



1 Countersinking Af3, DIN 74

勝特力材料 886-3-5753170  
 勝特力电子(上海) 86-21-34970699  
 勝特力电子(深圳) 86-755-83298787  
[Http://www.100y.com.tw](http://www.100y.com.tw)