

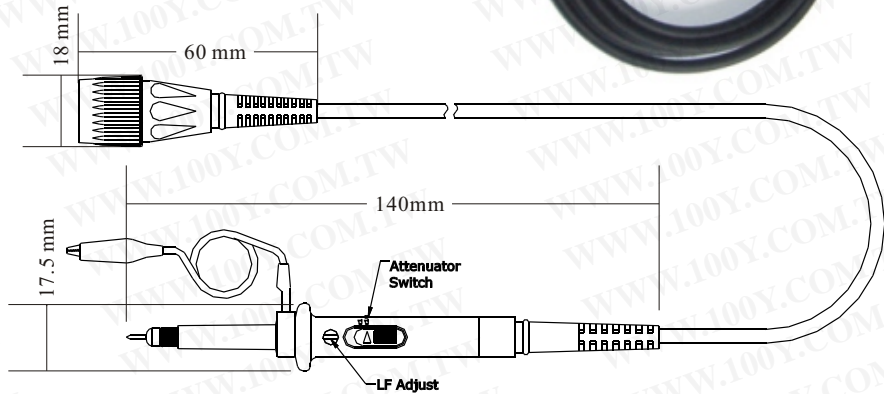
Passive probe TEXAS-XXX/I Series

The H.K.TEXAS design of passive oscilloscope probes feature a one piece (monolithic) design for robust probe life. Probe bandwidth ratings are specified as system bandwidth. System bandwidth includes both probe and oscilloscope together as system. The result is a probe frequency response that essentially can be considered transparent.

Modular construction.

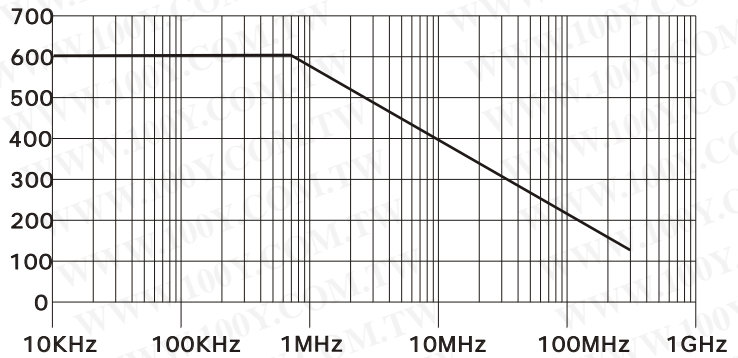
Full set a accessories are included with each probe.

All probes meet IEC1010-2-031,600 Vpp, CATI



Accessory Pack includes

- Ground spring(1).
- Ground lead 12cm (1).
- Retractable hook tip(1).
- Insulating cap(1).
- IC insulating cap(1).
- Trimmer tool(1).
- Color ring(2).
- Probe tip(1).



Model	Attenuation	Bandwidth (3dB)MHz	Rise-time (ns)	Compensation Range(pF)	MAX. Input Volt	Input Res. (MΩ)	Input Cap. pF	GND REF.
TEXAS20/I	X1/X10	15/20	23.3/17.5	10-60	600	1/10	60/15	X
TEXAS40/I	X1/X10	15/40	23.3/8.75	10-60	600	1/10	60/15	X
TEXAS60/I	X1/X10	15/60	23.3/5.8	10-60	600	1/10	57/15	X
TEXAS100/I	X1/X10	15/100	23.3/3.5	10-60	600	1/10	57/15	X

OSCILLOSCOPE PROBE

Passive probe TEXAS-xxx/I Series



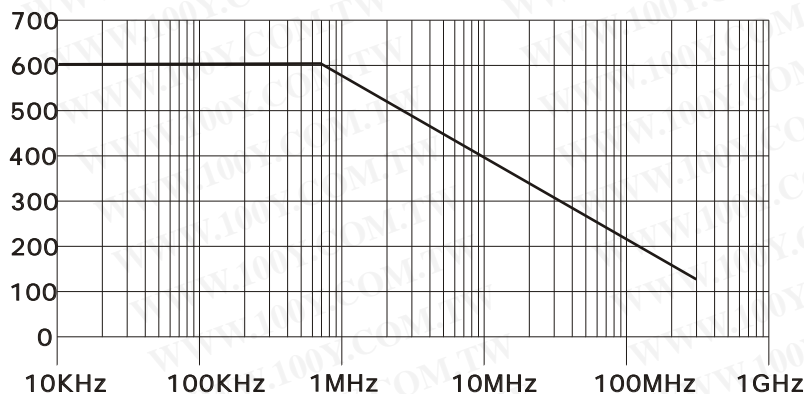
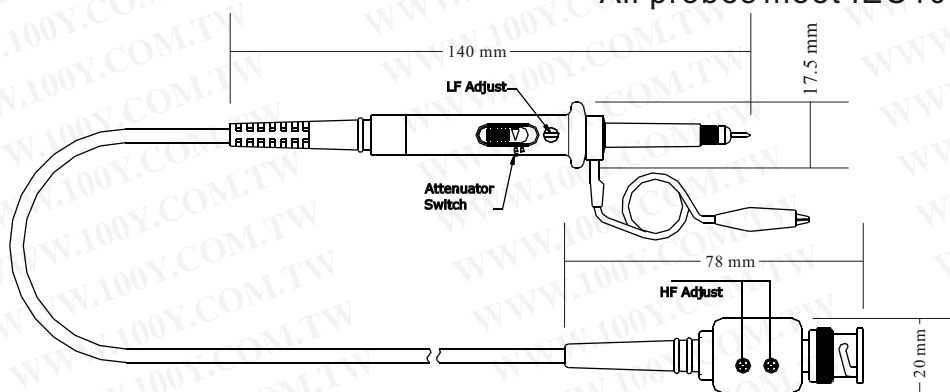
The TEXAS-xxx/I series 10:1/1:1 switchable standard probe for oscilloscopes with system bandwidth up to 300MHz. For optimal oscilloscope input matching. The probes are equipped with low and high frequency adjustments.

Probe bandwidth ratings are specified as system bandwidth. System bandwidth includes both probe and oscilloscope together as system. The result is a probe frequency response that essentially can be considered transparent.

Modular construction.

Full set a accessories are included with each probe.

All probes meet IEC1010-2-031,600 Vpp, CATI



Accessory Pack includes

- Ground spring(1).
- Ground lead 12cm (1).
- Retractable hook tip(1).
- Insulating cap(1).
- IC insulating cap(1).
- Trimmer tool(1).
- Color ring(2).
- Probe tip(1).
- BNC Adapter(1).

Model	Attenuation	Bandwidth (3dB)MHz	Rise-time (ns)	Compensation Range(pF)	MAX. Input Volt	Input Res. (MΩ)	Input Cap. pF	GND REF.
TEXAS150/I	X1/X10	15/150	23.3/2.33	5-35	600	1/10	57/14	X
TEXAS200/I	X1/X10	15/200	23.3/1.75	5-35	600	1/10	57/14	X
TEXAS250/I	X1/X10	15/250	23.3/1.4	5-35	600	1/10	57/14	X

Passive probe TEXAS-xxx/II Series

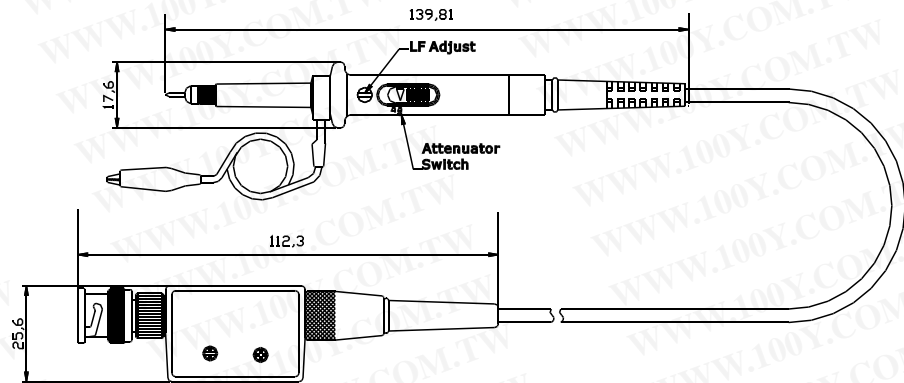
The TEXAS-xxx/II series 10:1/1:1 switchable standard probe for oscilloscopes with system bandwidth up to 250MHz. For optimal oscilloscope input matching. The probes are equipped with low and high frequency adjustments.

Probe bandwidth ratings are specified as system bandwidth. System bandwidth includes both probe and oscilloscope together as system. The result is a probe frequency response that essentially can be considered transparent.

Modular construction.

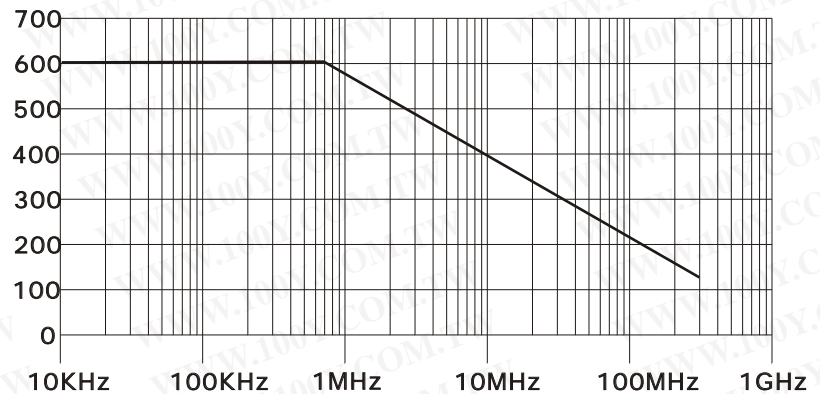
Full set a accessories are included with each probe.

All probes meet IEC1010-2-031,600 Vpp, CATI



Accessory Pack includes

- Ground spring(1).
- Ground lead 12cm (1).
- Retractable hook tip(1).
- Insulating cap(1).
- IC insulating cap(1).
- Trimmer tool(1).
- Color ring(2).
- Probe tip(1).
- BNC Adapter(1).



Model	Attenuation	Bandwidth (3dB)MHz	Rise-time (ns)	Compensation Range(pF)	MAX. Input Volt	Input Res. (MΩ)	Input Cap. pF	GND REF.
TEXAS150/II	X1/X10	10/150	35/2.33	5-35	600	1/10	60/12	X
TEXAS200/II	X1/X10	10/200	35/1.75	5-35	600	1/10	60/12	X
TEXAS250/II	X1/X10	10/250	35/1.4	5-35	600	1/10	60/12	X

OSCILLOSCOPE PROBE

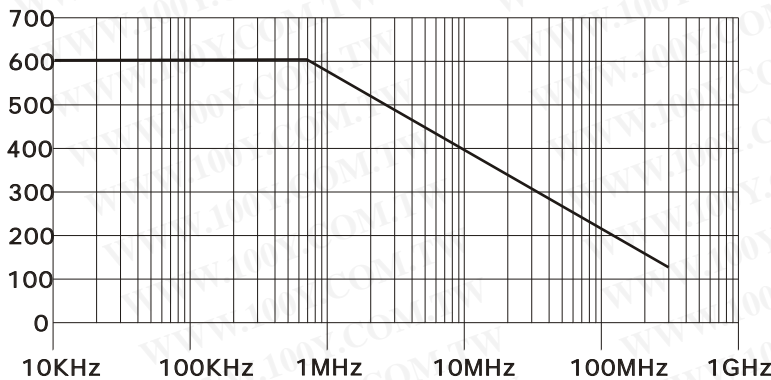
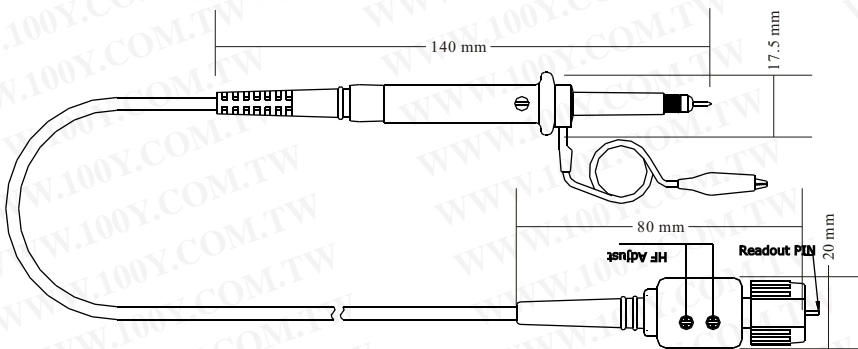
Passive probe TX5100 Series



The TX5100 series of passive probe alphanumeric information displayed on an oscilloscope screen to provide waveform scaling info. Measurement result, or other info.

The probe is designed for oscilloscope with readout function. HF adjustable function
 The TX5100 system bandwidth from 150Mhz to 300Mhz. Only X10 without reed switch.
 Probe bandwidth ratings are specified as system bandwidth. System bandwidth includes both probe and oscilloscope together as system. The result is a probe frequency response that essentially can be considered transparent.

Full set a accessories are included with each probe. All probes meet IEC1010-2-031,600 Vpp, CATI



Accessory Pack includes

- Ground spring(1).
- Ground lead 12cm (1).
- Retractable hook tip(1).
- Insulating cap(1).
- IC insulating cap(1).
- Trimmer tool(1).
- Color ring(2).
- Probe tip(1).
- BNC Adapter

Model	Attenuation	Bandwidth (3dB)MHz	Rise-time (ns)	Compensation Range(pF)	MAX. Input Volt	Input Res. (MΩ)	Input Cap. pF	GND REF.
TX5115	X10	150	2.33	5-35	600	10	12	X
TX5120	X10	200	1.75	5-35	600	10	12	X
TX5125	X10	250	1.4	5-35	600	10	12	X
TX5130	X10	300	1.17	5-35	600	10	12	X

Passive probe TX5200 Series

The TX5200 series of passive probe has excellent price performance value, mini-box design.

The TX5200 system bandwidth from 150Mhz to 300Mhz. Matched all the oscilloscope

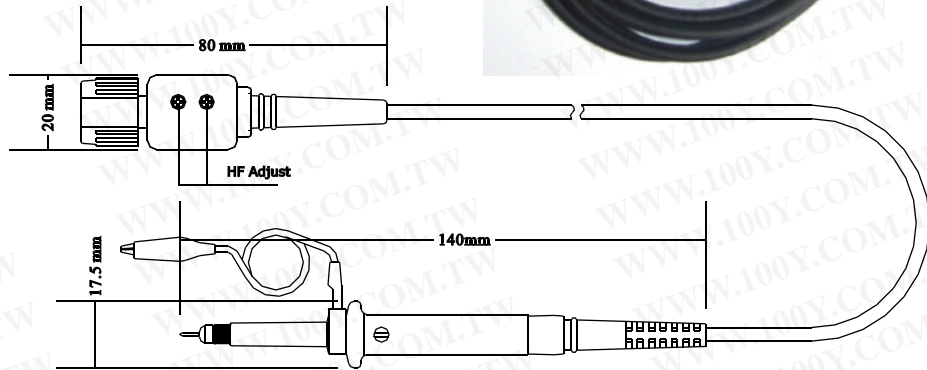
Only X10 without reed switch.

Probe bandwidth ratings are specified as system bandwidth. System bandwidth includes both probe and oscilloscope together as system. The result is a probe frequency response that essentially can be considered transparent.

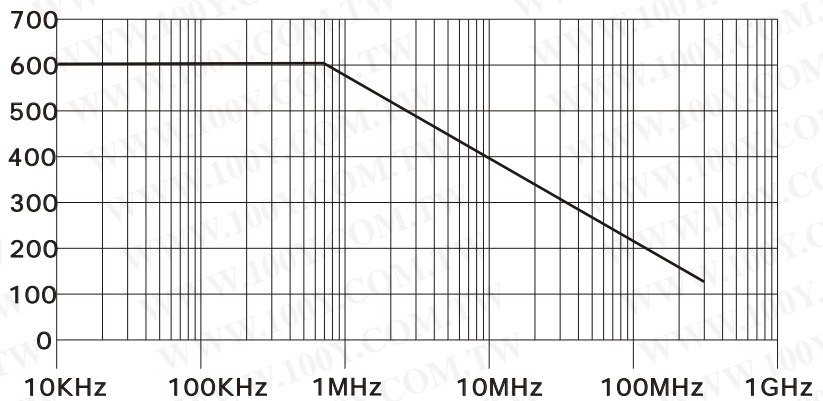
HF adjustable function.

Full set accessories are included with each probe.

All probes meet IEC1010-2-031, 600 Vpp, CATI



- Accessory Pack includes**
- Ground spring(1).
 - Ground lead 12cm (1).
 - Retractable hook tip(1).
 - Insulating cap(1).
 - IC insulating cap(1).
 - Trimmer tool(1).
 - Color ring(2).
 - Probe tip(1).
 - BNC Adapter.



Model	Attenuation	Bandwidth (3dB)MHz	Rise-time (ns)	Compensation Range(pF)	MAX. Input Volt	Input Res. (MΩ)	Input Cap. pF	GND REF.
TX5115	X10	150	2.33	5-35	600	10	12	X
TX5120	X10	200	1.75	5-35	600	10	12	X
TX5125	X10	250	1.4	5-35	600	10	12	X
TX5130	X10	300	1.17	5-35	600	10	12	X

OSCILLOSCOPE PROBE

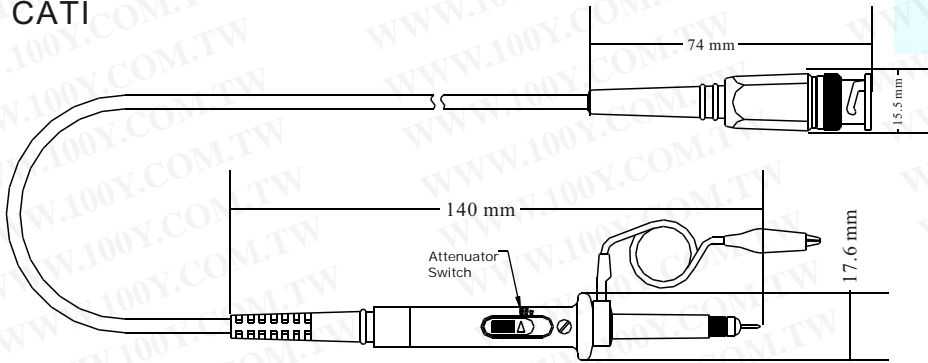
Passive TX5300 Series

The TX5300 series of passive probe has excellent price performance value, mini-box design.

The TX5300 system bandwidth from 40Mhz to 300Mhz. Matched all the oscilloscope Probe bandwidth ratings are specified as system bandwidth. System bandwidth includes both probe and oscilloscope together as system. The result is a probe frequency response that essentially can be considered transparent.

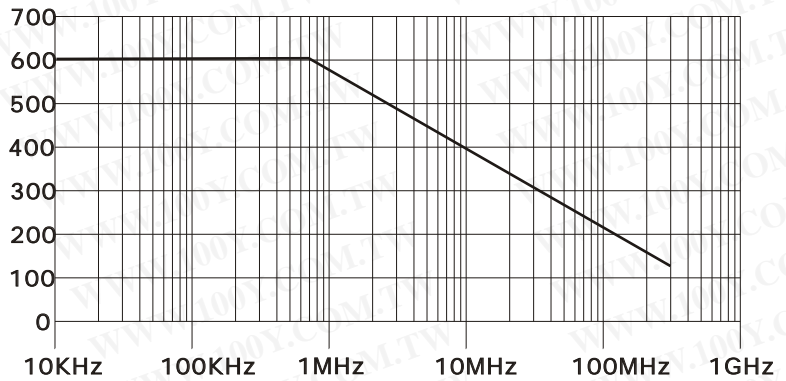
Full set a accessories are included with each probe.

All probes meet IEC1010-2-031,600 Vpp, CATI



Accessory Pack includes

- Ground spring(1).
- Ground lead 12cm (1).
- Retractable hook tip(1).
- Insulating cap(1).
- IC insulating cap(1).
- Trimmer tool(1).
- Color ring(2).
- Probe tip(1).

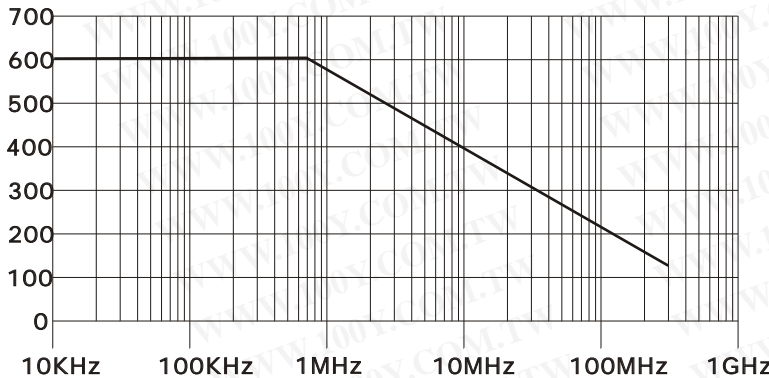
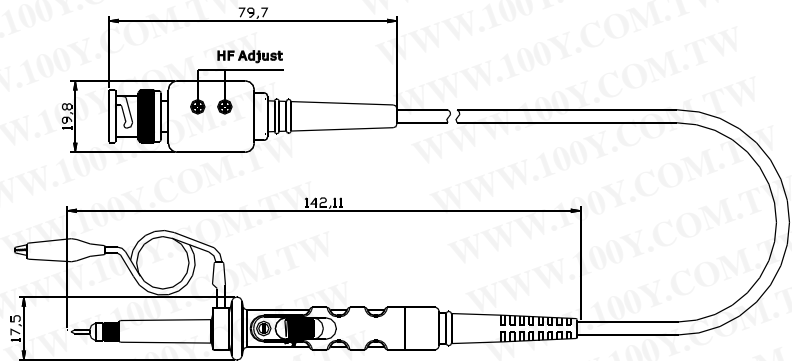


Model	Attenuation	Bandwidth (3dB)MHz	Rise-time (ns)	Compensation Range(pF)	MAX. Input Volt	Input Res. (MΩ)	Input Cap. pF	GND REF.
TX5306	X1/X10	15/60	23.3/5.8	5-30	600	1/10	60/15	X
TX5310	X1/X10	15/100	23.3/3.5	5-30	600	1/10	57/12	X
TX5315	X1/X10	15/150	23.3/2.33	5-30	600	1/10	57/12	X
TX5320	X1/X10	15/200	23.3/1.75	5-30	600	1/10	57/12	X
TX5325	X1/X10	15/250	23.3/1.4	5-30	600	1/10	57/12	X

Passive TX5400 Series



The TX5400 series of passive probe has excellent price performance value, handle double absolutely. Increase safety creepage distance. Mini-box design. The TX5400 system bandwidth from 150Mhz to 300Mhz. Matched all the oscilloscope Probe bandwidth ratings are specified as system bandwidth. System bandwidth includes both probe and oscilloscope together as system. The result is a probe frequency response that essentially can be considered transparent. Full set a accessories are included with each probe. All probes meet IEC1010-2-031,600 Vpp, CATII



- Accessory Pack includes**
- Ground spring(1).
 - Ground lead 12cm (1).
 - Retractable hook tip(1).
 - Insulating cap(1).
 - IC insulating cap(1).
 - Trimmer tool(1).
 - Color ring(2).
 - Probe tip(1).

Model	Attenuation	Bandwidth (3dB)MHz	Rise-time (ns)	Compensation Range(pF)	MAX. Input Volt	Input Res. (MΩ)	Input Cap. pF	GND REF.
TX5415	X1/X10	10/150	35/2.33	5-30	600	1/10	57/15	X
TX5320	X1/X10	10/200	35/1.75	5-30	600	1/10	57/15	X
TX5425	X1/X10	10/250	35/1.4	5-30	600	1/10	57/15	X
TX5430	X1/X10	10/300	35/1.17	5-30	600	1/10	57/15	X

Note:TX5400A series increase BNC C-type CAP. Specification same as Tx5400 series

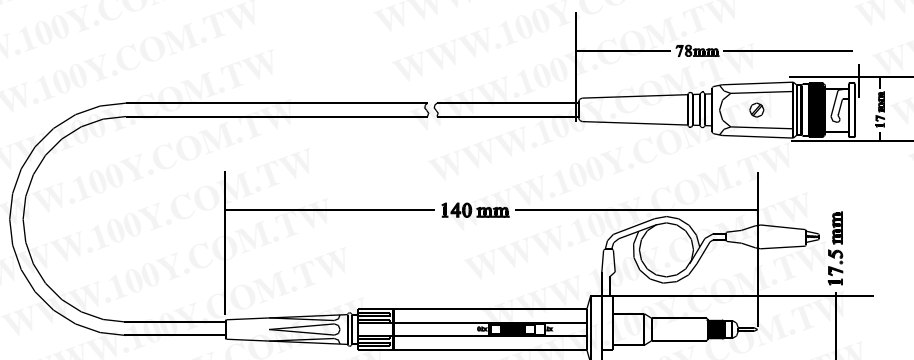
OSCILLOSCOPE PROBE

Passive probe TX5500 Series

The TX5500 series of passive probe has excellent price performance value, mini-box design.

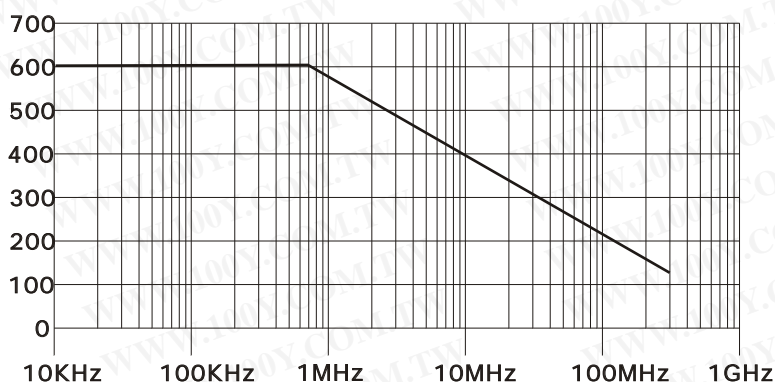
The TX5500 system bandwidth from 20Mhz to 250Mhz. Matched all the oscilloscope Probe bandwidth ratings are specified as system bandwidth. System bandwidth includes both probe and oscilloscope together as system. The result is a probe frequency response that essentially can be considered transparent. Full set a accessories are included with each probe.

All probes meet IEC1010-2-031,600 Vpp, CATII



Accessory Pack includes

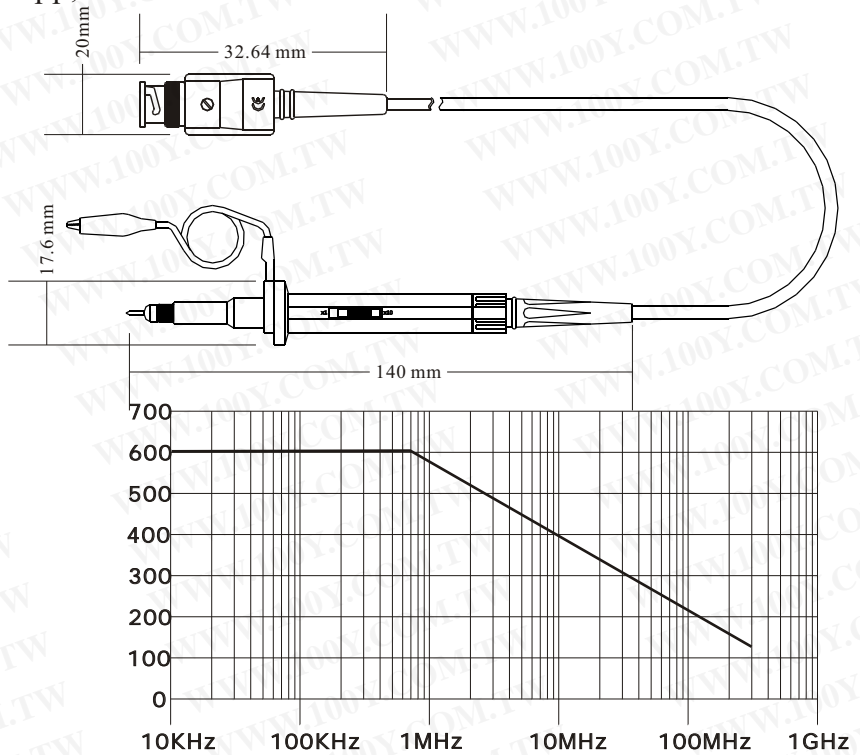
- Ground spring(1).
- Ground lead 12cm (1).
- Retractable hook tip(1).
- Insulating cap(1).
- IC insulating cap(1).
- Trimmer tool(1).
- Color ring(2).
- Probe tip(1).



Model	Attenuation	Bandwidth (3dB)MHz	Rise-time (ns)	Compensation Range(pF)	MAX. Input Volt	Input Res. (MΩ)	Input Cap. pF	GND REF.
TX5506	X1/X10	15/60	23.3/5.8	10-60	600	1/10	60/15	X
TX5510	X1/X10	15/100	23.3/3.5	10-60	600	1/10	60/15	X
TX5515	X1/X10	15/150	23.3/2.33	10-60	600	1/10	60/15	X
TX5520	X1/X10	15/200	23.3/1.75	10-60	600	1/10	60/15	X
TX5525	X1/X10	15/250	23.3/1.4	10-60	600	1/10	60/15	X

Passive probe TX5600 Series

The TX5600 series of passive probe alphanumeric information displayed on an oscilloscope screen to provide waveform scaling info. Measurement result, or other info. The probe is designed for oscilloscope with readout function. HF adjustable function The TX5600 system bandwidth from 60Mhz to 250Mhz. Switch X1/X10 . Probe bandwidth ratings are specified as system bandwidth. System bandwidth includes both probe and oscilloscope together as system. The result is a probe frequency response that essentially can be considered transparent. For KENWOOD, HITACHI, PANASONIC, IWATSI Oscilloscope Full set a accessories are included with each probe. All probes meet IEC1010-2-031,600 Vpp, CATII



Accessory Pack includes

- Ground spring(1).
- Ground lead 12cm (1).
- Retractable hook tip(1).
- Insulating cap(1).
- IC insulating cap(1).
- Trimmer tool(1).
- Color ring(2).
- Probe tip(1).
- BNC Adapter

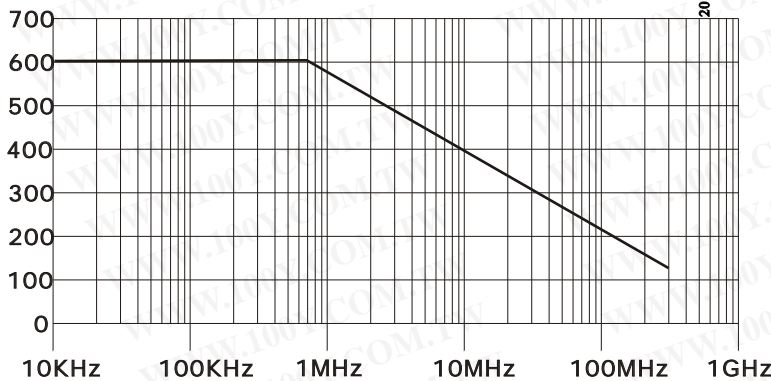
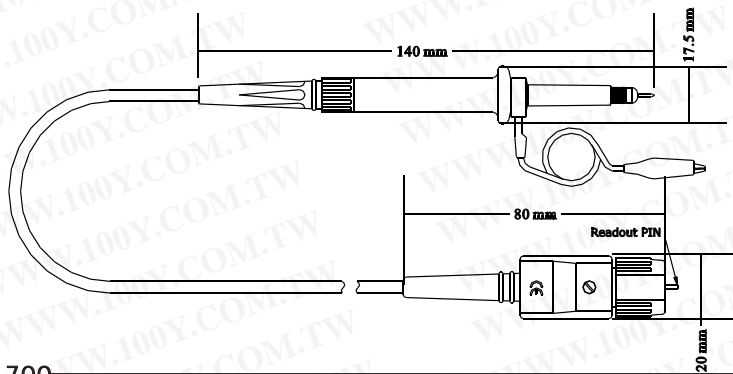
Model	Attenuation	Bandwidth (3dB)MHz	Rise-time (ns)	Compensation Range(pF)	MAX. Input Volt	Input Res. (MΩ)	Input Cap. pF	Readout
TX5606	X1/X10	10/60	35/5.8	10-30	600	1/10	60/15	X
TX5610	X1/X10	10/100	35/3.5	10-30	600	1/10	60/15	X
TX5615	X1/X10	10/150	35/2.33	10-30	600	1/10	60/15	X
TX5620	X1/X10	10/200	35/1.75	10-30	600	1/10	60/15	X
TX5625	X1/X10	10/250	35/1.4	10-30	600	1/10	60/15	X

OSCILLOSCOPE PROBE

Passive probe TX5600R Series



The TX5600R series of passive probe alphanumeric information displayed on an oscilloscope screen to provide waveform scaling info. Measurement result, or other info. The probe is designed for oscilloscope with readout function. HF adjustable function The TX5600R system bandwidth from 60Mhz to 250Mhz. Only X10 without reed switch. Probe bandwidth ratings are specified as system bandwidth. System bandwidth includes both probe and oscilloscope together as system. The result is a probe frequency response that essentially can be considered transparent. For KENWOOD, HITACHI, PANASONIC, IWATSI Oscilloscope Full set a accessories are included with each probe. All probes meet IEC1010-2-031,600 Vpp, CATII



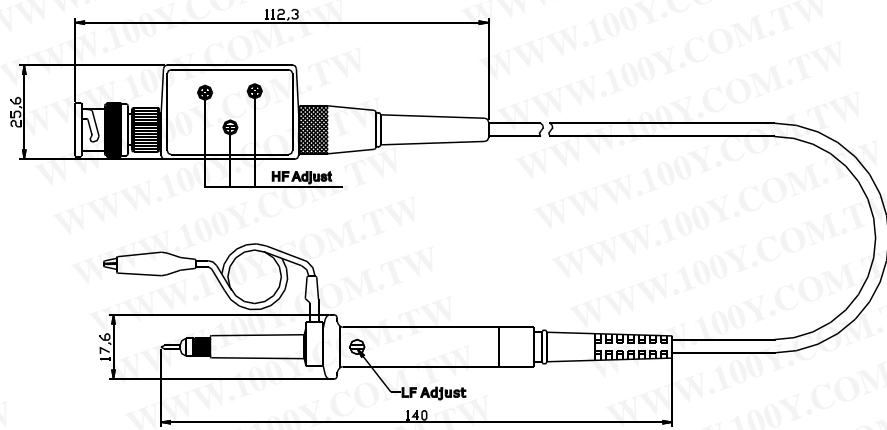
Accessory Pack includes

- Ground spring(1).
- Ground lead 12cm (1).
- Retractable hook tip(1).
- Insulating cap(1).
- IC insulating cap(1).
- Trimmer tool(1).
- Color ring(2).
- Probe tip(1).
- BNC Adapter

Model	Attenuation	Bandwidth (3dB)MHz	Rise-time (ns)	Compensation Range(pF)	MAX. Input Volt	Input Res. (MΩ)	Input Cap. pF	Readout
TX5606R	X10	60	5.8	10-30	600	10	15	Y
TX5610R	X10	100	3.5	10-30	600	10	15	Y
TX5615R	X10	150	2.33	10-30	600	10	15	Y
TX5620R	X10	200	1.75	10-30	600	10	15	Y
TX5625R	X10	250	1.4	10-30	600	10	15	Y

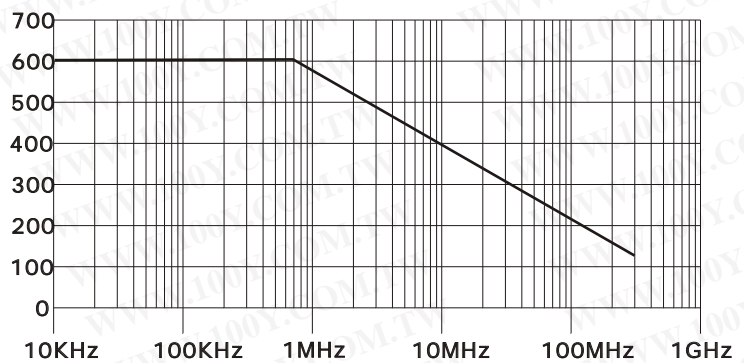
Passive probe TX6100 Series

The TX6100 series fixed attenuator rate passive probe have high-frequency adjustment. This kind probe specialty is high system bandwidth and low input capacitance. The TX6100 system bandwidth from 350MHz to 500MHz. Cable length up to 1.5m Without reed switch only X10. Probe bandwidth ratings are specified as system bandwidth. System bandwidth includes both probe and oscilloscope together as system. The result is a probe frequency response that essentially can be considered transparent. Full set accessories are included with each probe. All probes meet IEC1010-2-031,600 Vpp, CATI



Accessory Pack includes

- Ground spring(1).
- Ground lead 12cm (1).
- Retractable hook tip(1).
- Insulating cap(1).
- IC insulating cap(1).
- Trimmer tool(1).
- Color ring(2).
- Probe tip(1).
- BNC Adapter



Model	Attenuation	Bandwidth (3dB)MHz	Rise-time (ns)	Compensation Range(pF)	MAX. Input Volt	Input Res. (MΩ)	Input Cap. pF	Readout
TX6135	X10	350	1	5-30	600	10	11	X
TX6140	X10	400	0.875	5-30	600	10	11	X
TX6145	X10	450	0.77	5-30	600	10	11	X
TX6150	X10	500	0.7	5-30	600	10	11	X

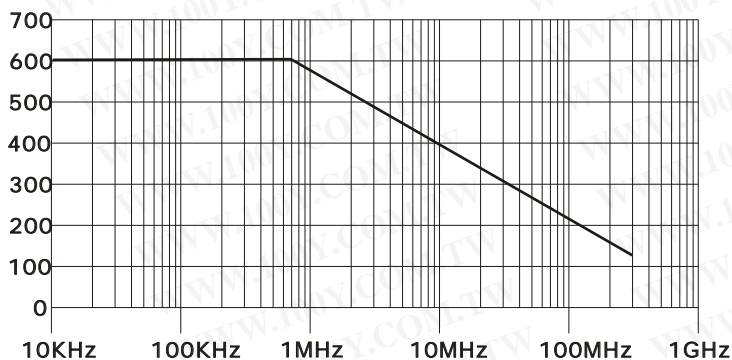
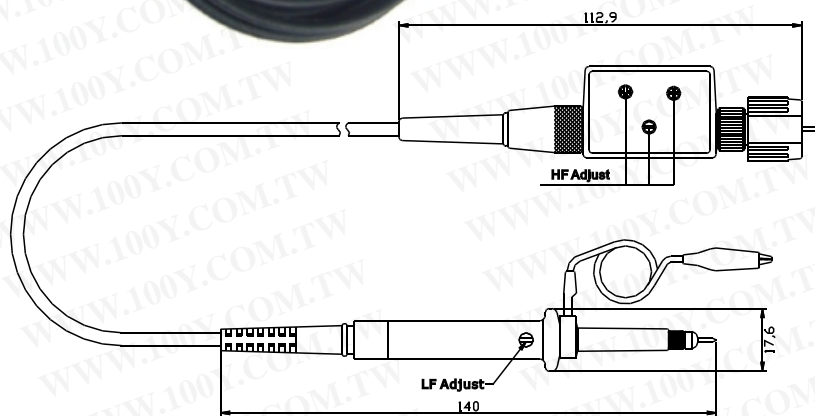
OSCILLOSCOPE PROBE

Passive probe TX6100R Series



The TX6100R series of passive probe alphanumeric information displayed on an oscilloscope screen to provide waveform scaling info. Measurement result, or other info. The probe is designed for oscilloscope with readout function. HF adjustable function The TX6100R system bandwidth from 350MHz to 500MHz. Without reed switch only X10. Probe bandwidth ratings are specified as system bandwidth. System bandwidth includes both probe and oscilloscope together as system. The result is a probe frequency response that essentially can be considered transparent.

Full set a accessories are included with each probe. All probes meet IEC1010-2-031,600 Vpp, CATI



Accessory Pack includes

- Ground spring(1).
- Ground lead 12cm (1).
- Retractable hook tip(1).
- Insulating cap(1).
- IC insulating cap(1).
- Trimmer tool(1).
- Color ring(2).
- Probe tip(1).
- BNC Adapter

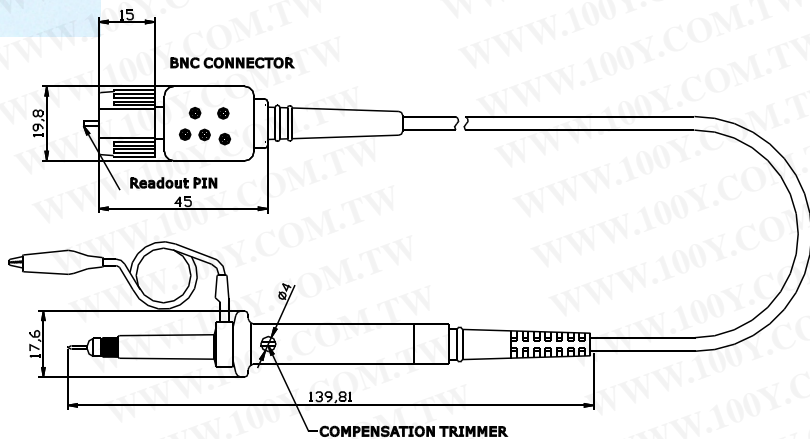
Model	Attenuation	Bandwidth (3dB)MHz	Rise-time (ns)	Compensation Range(pF)	MAX. Input Volt	Input Res. (MΩ)	Input Cap. pF	Readout
TX6135R	X10	350	1	5-30	600	10	11	Y
TX6140R	X10	400	0.875	5-30	600	10	11	Y
TX6145R	X10	450	0.77	5-30	600	10	11	Y
TX6150R	X10	500	0.7	5-30	600	10	11	Y

Passive probe TX6200R Series



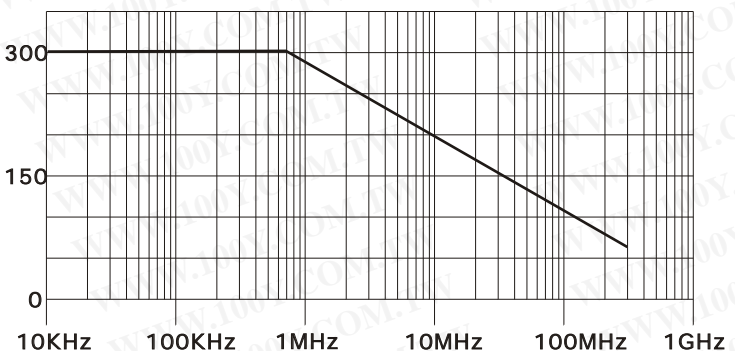
The TX6200R series of passive probe alphanumeric information displayed on an oscilloscope screen to provide waveform scaling info. Measurement result, or other info. The probe is designed for oscilloscope with readout function. HF adjustable function The TX6200R system bandwidth from 350MHz to 500MHz. Without reed switch only X10. Probe bandwidth ratings are specified as system bandwidth. System bandwidth includes both probe and oscilloscope together as system. The result is a probe frequency response that essentially can be considered transparent.

Full set accessories are included with each probe. All probes meet IEC61010-2-031, 300 Vpp, CAT I



Accessory Pack includes

- Ground spring(1).
- Ground lead 12cm (1).
- Retractable hook tip(1).
- Insulating cap(1).
- IC insulating cap(1).
- Trimmer tool(1).
- Color ring(2).
- Probe tip(1).
- BNC Adapter



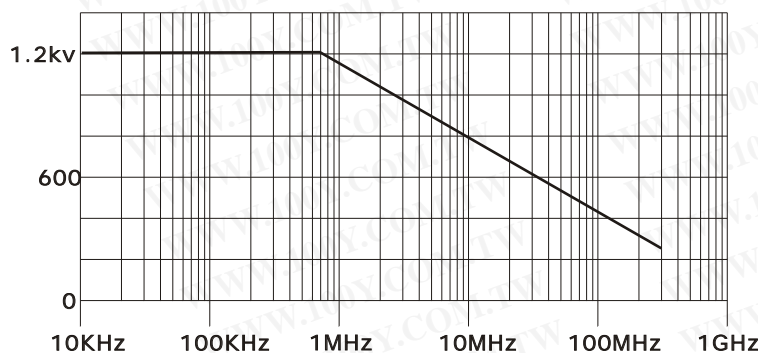
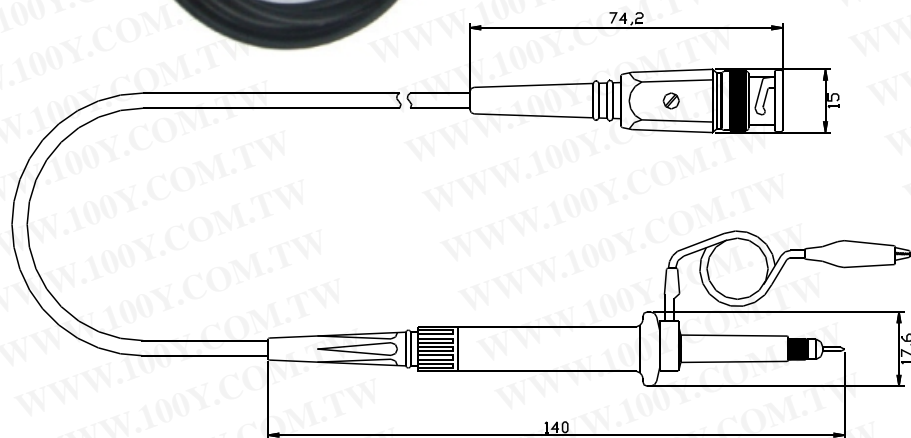
Model	Attenuation	Bandwidth (3dB)MHz	Rise-time (ns)	Compensation Range(pF)	MAX. Input Volt	Input Res. (MΩ)	Input Cap. pF	Readout
TX6235R	X10	350	1	5-30	300	10	11	Y
TX6240R	X10	400	0.875	5-30	300	10	11	Y
TX6245R	X10	450	0.77	5-30	300	10	11	Y
TX6250R	X10	500	0.7	5-30	300	10	11	Y

OSCILLOSCOPE PROBE

Passive probe TX3100 Series



The TX3100 series of passive probe has excellent price performance value, Handle double absolutely. Increase safety creepage distance. Bandwidth up to 250Mhz. Mini box designed. Attenuator rate up 100, Max input voltage up to 1200VDC Full set a accessories are included with each probe. All probes meet IEC1010-2-031,1200VDC PKAC, CATII



Accessory Pack includes

- Ground spring(1).
- Ground lead 12cm (1).
- Retractable hook tip(1).
- Insulating cap(1).
- IC insulating cap(1).
- Trimmer tool(1).
- Color ring(2).
- Probe tip(1).
- BNC Adapter

Model	Attenuation	Bandwidth (3dB)MHz	Rise-time (ns)	Compensation Range(pF)	MAX. Input Volt	Input Res. (MΩ)	Input Cap. pF	Readout
TX3106	X100	60	5.8	10-50	1200	100	6.5	X
TX3110	X100	100	3.5	10-50	1200	100	6.5	X
TX3115	X100	150	2.33	10-50	1200	100	6.5	X
TX3120	X100	200	1.75	10-50	1200	100	6.5	X
TX3125	X100	250	1.4	10-50	1200	100	6.5	X

Passive probe TX2000 Series

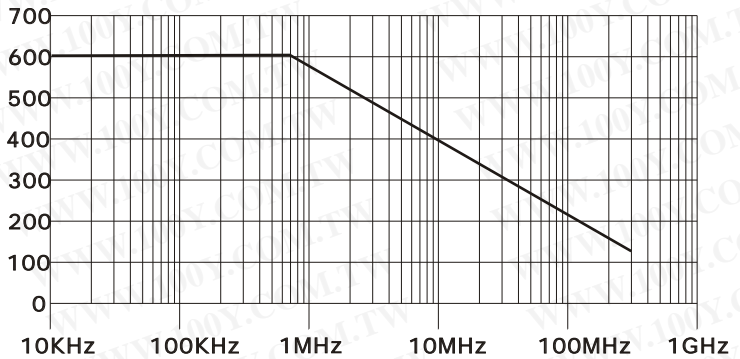
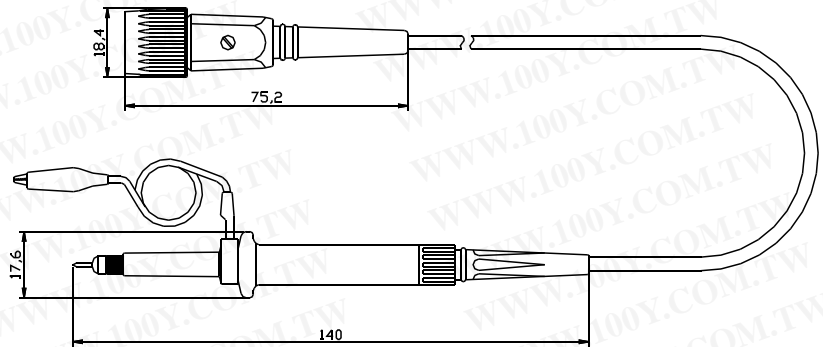
The TX2000 series of passive probe has excellent price performance value, mini-box design. handle double absolutely. Increase safety creepage distance
 The TX2000 system bandwidth from 20Mhz to 250Mhz. Matched all the oscilloscope Probe bandwidth ratings are specified as system bandwidth. System bandwidth includes both probe and oscilloscope together as system. The result is a probe frequency response that essentially can be considered transparent. Full set a accessories are included with each probe.

All probes meet IEC1010-2-031,600 VDC pkAC, CATIII



Accessory Pack includes

- Ground spring(1).
- Ground lead 12cm (1).
- Retractable hook tip(1).
- Insulating cap(1).
- IC insulating cap(1).
- Trimmer tool(1).
- Color ring(2).
- Probe tip(1).
- BNC Adapter



Model	Attenuation	Bandwidth (3dB)MHz	Rise-time (ns)	Compensation Range(pF)	MAX. Input Volt	Input Res. (MΩ)	Input Cap. pF	Readout
TX2020	X10	20	17.5	10-60	600	10	15	X
TX2040	X10	40	8.75	10-60	600	10	15	X
TX2060	X10	60	5.8	10-60	600	10	15	X
TX2100	X10	100	3.5	10-60	600	10	15	X
TX2150	X10	150	2.33	10-60	600	10	15	X
TX2200	X10	200	1.75	10-60	600	10	15	X
TX2250	X10	250	1.4	10-60	600	10	15	X

TEST-LEADS

TEST-LEADS:

TX30-X

Coaxial cable double-BNC
 Impedance: 50Ohm
 Cable length: 1m
 BNC insulated: Yes
X: Cable length selectable



TX30-X



TX31

Coaxial cable BNC/double-clip
 Impedance: 50Ohm
 Cable length: 1m
 BNC Insulated: Yes



TX31

HIGH-FREQUENCY CABLE

TX32

Coaxial cable double-BNC
 Impedance: 50Ohm
 Cable length: 1m
 Frequency range: DC to 3GHz



TX32

TX16

test lead BNC male to mini hooks; 40inch; shield



TX16

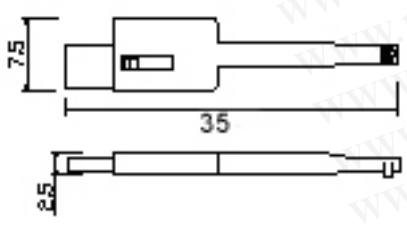
TX33

Coaxial cable double-SMA
 Impedance: 50Ohm
 Cable length: 1m
 Frequency range: DC to 1Ghz
 Connector : BNC-SMA



TX33

MINI-HOOKS



Passive probe TX1000 Series

The TX1000 series passive probe is only X1, without attenuation, handle double absolutely, has 30~45pF input capacitance and about 190Ohm resistance, bandwidth up to 40Mhz.

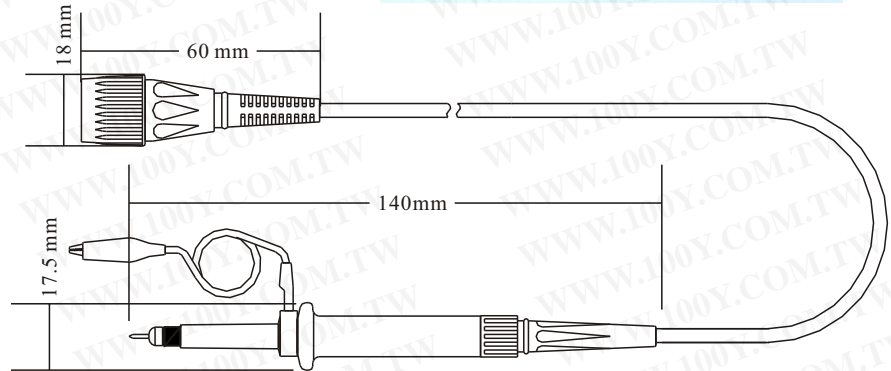
Full set a accessories are included with each probe.

All probes meet IEC1010-2-031, 300VDC PKAC, CATIII



Accessory Pack includes

- Ground spring(1).
- Ground lead 12cm (1).
- Retractable hook tip(1).
- Insulating cap(1).
- IC insulating cap(1).
- Color ring(2).



Model	Attenuation	Bandwidth (3dB)MHz	Rise-time (ns)	Compensation Range(pF)	MAX. Input Volt	Input Res. (MΩ)	Input Cap. pF	Cable Length
TX1020	X1	20	17.5	X	300	1	35	1.1m
TX104	X1	40	8.75	X	300	1	30	0.9m

TX1030 DEMODULATOR PROBE

- Model:** TX1030
Diode turn on voltage: 250mv
Bandwidth: 750mhz(3db)
Max. Input voltage: 50VAC
 200VDC
Cable length: 1.2m



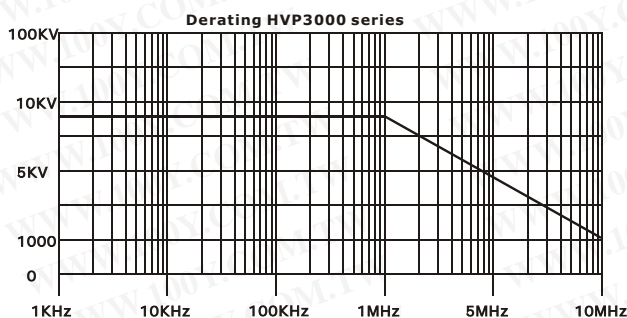
OSCILLOSCOPE PROBE

HIGH-VOLTAGE PASSIVE PROBE

The HVP3000 series is a 1000:1 divider probe for the measurement of fast high voltage signals. HVP3020 MAX. Input voltage up to 20kVDC incl pkAC, The HVP3000 series high voltage oscilloscope passive probe is our company latest design of specifically for the test high voltage. The HVP3000 series probe has two instrument impedance selected.

The probe's large size and rugged construction provides superior protection. The ground lead is fed through the body of the probe and protrudes behind the safety barrier, keeping the ground connection away from the high voltage. Typical applications include PMTs motor drivers, high voltage switches, magnatrons and modern projection system etc.

When the red switch point to the print 10M, the high-voltage probe must be connected the test instrument impedance is 10Mohm; when the red switch point to the print 1M, the high-voltage probe must be connected to the test instrument impedance is 1Mohm.



HVP3000 Series High-voltage oscilloscope probe

Model	Attenuation	Bandwidth (3dB)MHz	Rise-time (ns)	Compensation Range(pF)	MAX. Input Volt	Input Res. (MΩ)	Input Cap. pF	Readout
HVP3005	X1000	10	35	10-50	5KV	500	3	X
HVP3007	X1000	10	35	10-50	7KV	500	3	X
HVP3010	X1000	10	35	10-50	10KV	500	3	X
HVP3015	X1000	10	35	10-50	15KV	500	3	X
HVP3020	X1000	10	35	10-50	20KV	500	3	X

**HIGH-VOLTAGE PROBE FOR DMM
 HVP3200 SERIES**

The HVP3220 is a 1000:1 divider probe for the measurement of high voltage signals. Up to 30kVDC , 20kV AC.

The probe's large size and rugged construction provides superior protection. The ground lead is fed through the body of the probe and protrudes behind the safety barrier, keeping the ground connection away from the high voltage. Typical applications include PMT's motor drivers, high voltage switches, magnetrons and modern projection systems.

Do not attempt at take measurement from source where the chassis or return lead is not grounded. This ground connection is critical to the safe operation of the probe, failure to make this connection when making high voltage measurements may result in personal injury or damage to the probe or multi-meter. This connection must always be made BEFORE the probe tip comes into contact with the high voltage and must not be removed until after the probe tip has been removed from the high voltage source.

Do not connect the ground clip lead to the high voltage source or the probe tip to ground for any reason. Before turning the high voltage on, make sure that no part of your body is in contact with the device under test. Measure the voltage remembering that the voltage being measured is 1000 times greater than the multi-meter reading. Turn the high voltage off. Disconnect the probe tip from the high voltage source BEFORE removing the ground clip.



**HVP3200 SERIES
 FOR DMM**

Specifications

Model:	HVP-3220	HVP-3230
Input Impedance:	1000MOHM	1000MOHM
Diivision Ratio:	1000:1	1000:1
Max. Test Voltage:	DC: 0 ~ 20KV AC: 0 ~ 14KV	DC: 0 ~ 30KV AC: 0 ~ 14KV
Accuracy:	DC: ±3% to 20KV AC ± 5%to 14KV	DC: ±5% to 30KV AC: ± 5%to 20KV
Temperature Coefficient:	< 200PPM/°C	< 200PPM/°C
Operating Temperature:	0°C ~ 50°C	0°C ~ 50°C
Storage Temperature:	-20°C ~ 70°C	-20°C ~ 70°C
Ground Lead Length:	1M	1M
Output Cable Length:	1M	1M
Application:	DMM	DMM
Output Division:	1V/1KV	1V/1KV
Dimensions:	280mmX70Ø	280mmX70Ø
Weight:	250g	250g

ATTENUATOR & CONNECTOR

ATTENUATOR SERIES

The attenuator set TX24 is ideal to reduce high signal levels by a fixed attenuation value. The set contains four attenuators with values of 3, 6, 10, 20dB and one feed-through termination TX22.

Attenuator

Frequency Range: DC to 1GHz

Attenuation: 3, 6, 10, 20dB

Impedance: 50ohm

Max. Input Level: 1W(average)

VSWR: 1.5:1 or better

Feed-through terminator TX22 is used to terminate 50Ohm sources. Then the signal can be applied to instruments with high impedance inputs.

Technical data

Frequency Range: DC to 1GHz

Impedance: 50ohm

Maximum input power: 2W



BNC CONNECTORS

50ohm Impedance

Shell: Nickel plated

Center contact: Gold or nickel plated beryllium copper

Contains:

BNC "T" Female/Male/Female

BNC "T" Female/Female/Female

BNC Male to Male

BNC Female to Female



BNC Connector

SMA CONNECTOR

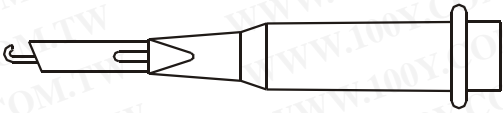


PROBE ACCESSORIES

RETRACTABLE HOOK

PA001-X

X--R-RED B-BLUE BL-BLACK



ADJUSTMENT TOOL

PA002-X

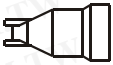
X--M-METAL P-PLASTIC



IC INSULATING CAP

PA003-X

X--R-RED Y-YELLOW B-BLUE BL-BLACK



INSULATING CAP

PA004-X

X--R-RED Y-YELLOW B-BLUE BL-BLACK



IDENTIFICATION TAGS

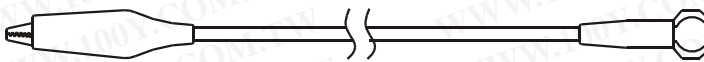
PA005-X

X--R-RED Y-YELLOW B-BLUE BL-BLACK G-GREEN PU-PURPLE P-PINK



GROUND LEAD

PA006



PROBE TIP

PA008-X

X--PB-PLASTIC BIG SCREW MS-METAL SMALL SCREW CO-COMMON



GROUND SPRING

PA007



BNC ADAPTER

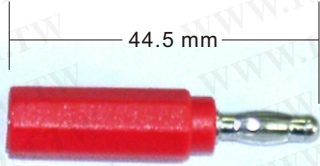
PA009



DMM Accessories and Kits

4MM SAFETY BANANA JACK TO BANANA PLUG ADAPTER

Model
TP-53-X



Accepts safety-sheathed 4mm banana plug and adapts to standard banana plug.
 Material: nickel plated brass.
 Rating: For CE compliance.
 Not intended for hand held use at voltages above 33 Vrms/70 Vdc.
 *Std. Colors: -0 black, -1 red.

MULTI-STACKING SHEATHED (4mm) BANANA PLUG PATCH CORD

Model	Ratings
TP-54-X-Y	



4ft (1.2 meter) stackable safety lead.
 Material: Contacts: nickel-plated brass; Wire: multi-strand copper,
 Rating: IEC1010 1000V CatIII, 10A
 *Std. Colors: -0 black only, -1 red only, -2 blue only.
 Y: -1 all insulated
 -1exposed banana plug.

REPLACEMENT MODULAR TEST PROBES

Model	Ratings
TP-52-X	CATIII 1000V

TP-52-X Lantern tip Fits 4mm Jack CAT III1000V
 Modular probes fit all TEXAS test leads.
 Lantern tip probes fit into banana jacks.
 Material: nickel plated brass.
 Rating: For CE compliance.
 Std. Colors: -0 black, -1 red



BASIC ELECTRONIC DMM TEST LEAD KITS

Model	Ratings
TFC-265P-X-Y	CATIII 1000V

Featuring TEXAS new comfort-grip probes.
 *Monolithic probes with fixed tips.
 *DMM plugs fit most meters from Fluke, Wavetek (Meterman), HP, Amprobe, Greenlee, and others.
 Rating: 1000V per IEC1010-2-031, 10A.,
 *Std. Colors: -0 black, -1 red.
 *Y: Cable-length



TEST CLIP SET WITH Pincer

Model	Ratings
TP-51-X	CATIII 1000V

Pincer Opening: 0.16in (4.06mm) dia. test point.
 Fit 4mm Banana plugs connectio
 Rating: Overvoltage CAT III, 1000V, 10A per IEC1010-2-031.
 Std. Colors: -0 black, -1 red



RETRACTABLE SHEATH BANANA PLUG PATCH CORD

Model	Ratings
TP-55-X-Y	CATIII 1000V

Cable: 18 AWG Wire, 3.56mm O.D.
 Rating: 1000V per IEC1010-2-031, 10A.,
 Cable length selectable.
 *Std. Colors: -0 black, -1 red.
 *Y: Cable-length



TEST CLIP SET INSULATION PIERCING

Model	Ratings
TP-50-X	CATIII 1000V

Pierces wire up to 5mm diameter
 For use with 16 AWG through 30 AWG wire
 Compatible with all H.K.TEXAS banana plug leads
 Sheathed 4mm receptacle accepts shrouded banana plugs and unshrouded banana plugs
 Meets all the latest international safety standards
 Operating Voltage: CAT III 1000V
 Current: 5 Amperes
 Std. Colors: -0 black, -1 red



Model
3423

AUTOMOTIVE OSCILLOSCOPE

- 4 channels
- No power supply required
- USB 2.0 connection for fast screen updates
- 512,000 sample memory
- 50 V maximum input
- Protected against overloads and short circuits
- Includes PicoScope Automotive software



Model
TA000

AUTOMOTIVE TEST LEAD

The TA000 test lead has been custom made for automotive use with a Pico automotive oscilloscope. Its long length (3 meters / approx 10 ft) allows the oscilloscope to be placed on the work bench away from the car being tested / repaired. A wide range of probes, clips and gators can be plugged into the 4mm connectors at the end of the cable. The cable is fully screened to reduce noise pickup.



Model
TX-25

SECONDARY IGNITION PICKUP

Due to the high voltages involved in secondary ignition systems, it is not possible to make measurements by direct connection, attempting to make a direct connection will almost certainly damage the measuring instrument. The TX25A is a capacitive pickup that simply connects around the insulation of an ignition circuit component such as a plug wire, this avoids the need for direct connection.
 -TX25 5000:1
 -TX25A 10000:1



Model
MI075

CIGAR LIGHTER POWER LEAD

In the workshop the ADC-212 is normally powered using the supplied mains adaptor. If however you want to use the ADC-212 on the move with a laptop, this handy lead allows you to power the ADC-212 from the car's cigar lighter socket. The curled lead, when extended is over 3 meters in length so also allows the ADC-212 to be used under the bonnet whilst taking power from the vehicle under test.



Model	Ratings
TA010	20:1

20:1 ATTENUATOR

Attenuator Rate: 20:1
 Bandwidth: 100MHz
 Input Voltage: MAX. 100V

