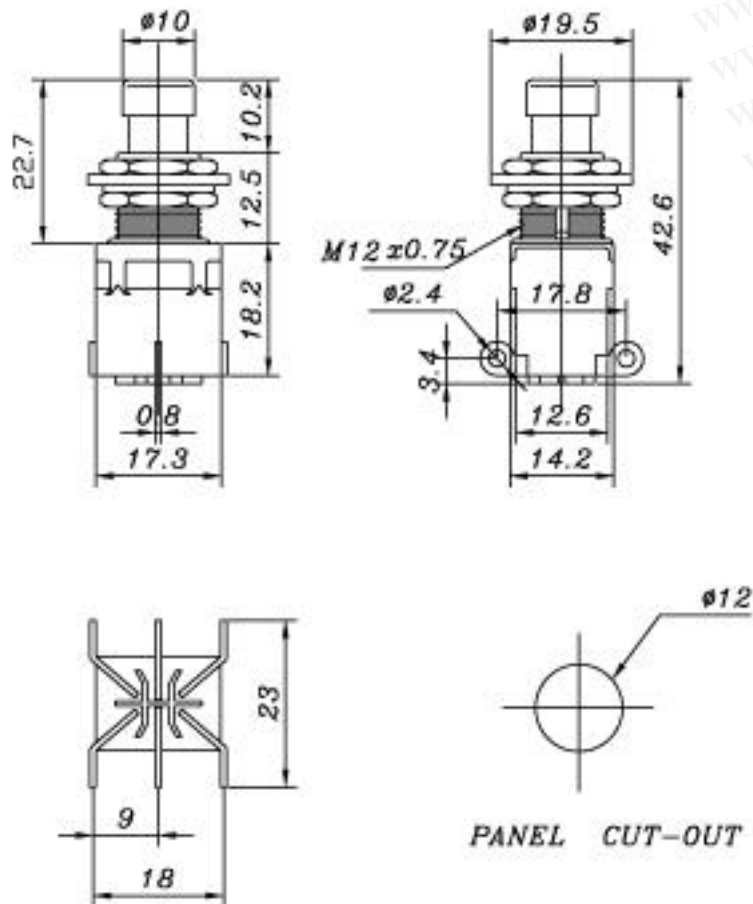


勝特力材料 886-3-5753170
 勝特力电子(上海) 86-21-54151736
 勝特力电子(深圳) 86-755-83298787
[Http://www.100y.com.tw](http://www.100y.com.tw)



ITEM NO.	CIRCUIT			TYPE	TERMINAC Q'TY
	ON	-	ON		
6520A	ON	-	ON	SPDT	3P
6520B	ON	-	(ON)	SPDT	3P
6520C	ON	-	ON	DPDT	6P
6520D	ON	-	(ON)	DPDT	6P

() : MOMENTARY

SPECIFICATION :

1. Rating : 4A 125VAC/250VAC.
2. Contact Resistance : 20m Max.
3. Insulation Resistance : DC 500V 100M OHMS.
4. Dielectric Strength : AC 1000V 1 minute.
5. Electrical Life : 6,000mark-and-break cycles at full load.
6. Operating Temperature : -20°C ~ 65°C
7. Machine Life : 20000 times

NO.	DESCRIPTION	QTY	MATERIAL	SPECIFICATION	REMARK	
DRAW BY	S.M	851126	SCALE	1 : 1	PROJ 	
DEGN BY			UNIT	MM		ITEM NO. 6520
APPD BY						TITLE PUSH BUTTON
DATE	DRAWG BY	REVISED	勝特力材料有限公司 www.100y.com.tw		DRAWING NO. 6520-(1)	