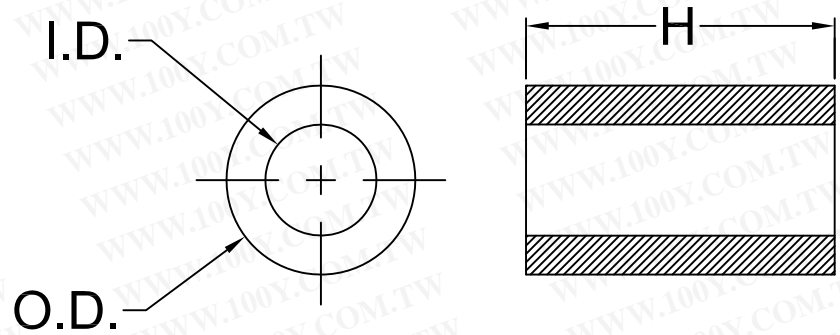


REV.	DESCRIPTION	DATE	APPROVED
A	Engineering Update w/o Changes	02/24/04	M. C.
B	Typo Correction	10/28/08	T. Y.

勝特力材料 886-3-5753170  
 勝特力电子(上海) 86-21-34970699  
 勝特力电子(深圳) 86-755-83298787  
[Http://www.100y.com.tw](http://www.100y.com.tw)



SERIES	SCREW SIZE	I.D.	O.D.	- XXX	H
9913	#2	.091(2.3mm)	.187(4.7mm)	-062	1/16 (1.6mm)
				-125	1/8 (3.2mm)
9910	#2	.091(2.3mm)	.250(6.4mm)	-187	3/16 (4.8mm)
				-250	1/4 (6.4mm)
				-312	5/16 (7.9mm)
9908	#4	.125(3.2mm)	.187(4.7mm)	-375	3/8 (9.5mm)
				-437	7/16 (11.1mm)
				-500	1/2 (12.7mm)
9911	#4	.125(3.2mm)	.250(6.4mm)	-562	9/16 (14.3mm)
				-625	5/8 (15.9mm)
9905	#6	.147(3.7mm)	.250(6.4mm)	-750	3/4 (19.1mm)
				-812	13/16 (20.6mm)
				-875	7/8 (22.2mm)
9912	#8	.171(4.3mm)	.250(6.4mm)	-937	15/16 (23.8mm)
				-1000	1.0 (25.4mm)



3. TOLERANCE "H" DIMENSION:

$H \leq 0.500 (12.7\text{mm}) \pm 0.005 (0.1\text{mm})$   
 $H > 0.500 (12.7\text{mm}) \pm 0.010 (0.3\text{mm})$

2. MATERIAL: NYLON 6, ULTRAMID 8270 HS, NATURAL. BIVAR MATERIAL CODE 01-NL-WE.

ALLIED CHEMICAL POLYAMID NYLON 6 WITH CLARIANT CNY02655 WHITE NYLON CONCENTRATE..

1. GENERAL SPECIFICATIONS: BIVAR EXTRUDED PRODUCT SPECIFICATION BV00-E103.

STANDARD TOLERANCE (UNLESS OTHERWISE SPECIFIED)		 4 THOMAS, IRVINE, CA. 92618 TEL: (949) 951-8808 FAX: (949) 951-3974			
DECIMALS	ANGULAR				
.X ± .1	X° ± 1°				
.XX ± .01			TITLE: NYLON TUBE SPACERS		
.XXX ± .005			DESIGNED: Ty Yin	DATE: 02/24/04	PART NO: 99XX-XXX
CHECKED: D. Green	DATE: 02/24/04	CAGE CODE : 32559	SHEET # 1 OF 1	CAD GENERATED DOCUMENT, DO NOT MEASURE DRAWING.	