

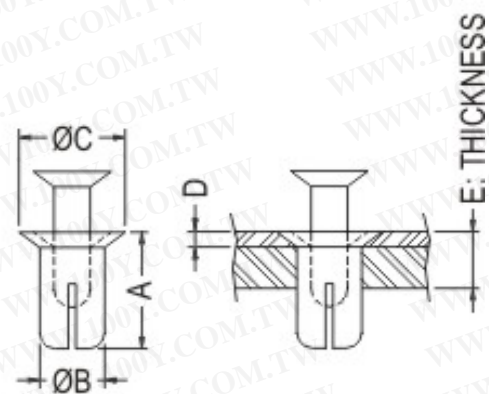
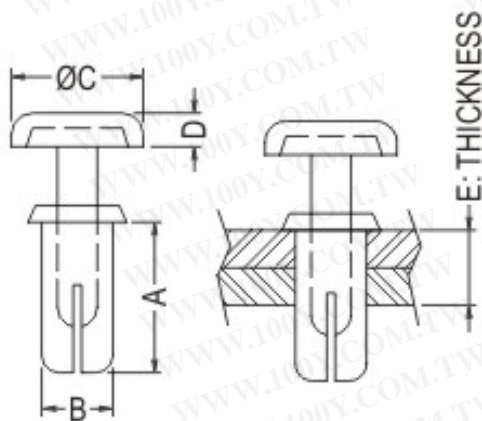
SNAP RIVET

尼龍鉚釘

SR - Type

- ◆ MATERIAL: NYLON 66 (UL)
- ◆ FLAME CLASS: 94V-2
- ◆ COLOR: BLACK/WHITE
- ◆ UNIT: mm

用途: 用於 PC 板、鐵板零件固定，代替螺絲，省時不需工具，結合力強。



ONLY FOR
SR3-13F, SR4-6F, 7F, SR5-4.5F

勝特力材料 886-3-5753170
勝特力电子(上海) 86-21-34970699
勝特力电子(深圳) 86-755-83298787
[Http://www.100y.com.tw](http://www.100y.com.tw)

PART NO	A	B	C	D	E	MOUNTING HOLES	PACKAGE
SR2-4	4.0	2.0	3.5	0.5	2.0~3.0	2.0	
SR2-5	5.0		4.8	0.75	2.5~3.5		
SR2-6	6.0				3.5~4.5		
SR2.6-3.2	3.2	2.6	5.0	1.7	1.0~2.0	2.6	
SR2.6-4.2	4.2				2.0~3.0		
SR2.6-4.8	4.8			2.5~3.4			
SR2.6-5.5	5.5			1.4	3.0~4.3		
SR2.6-7.2	7.2						
SR3-3.5	3.6	3.0	6.3	1.7	1.0~2.0	3.0	
SR3-4.5	4.5				2.0~3.0		
SR3-5.5	5.5				3.0~4.0		
SR3-6	6.0				3.5~4.5		
SR3-6.5	6.5				4.0~5.0		
SR3-7.5	7.5				5.0~6.0		
SR3-8	8.1				5.5~6.5		
SR3-9	9.1				6.5~7.5		
SR3-10	10.0				7.5~8.5		
SR3-13	13.0				6.2		
SR3-13F	13.0	3.2	5.3	1.3	10.0~11.0	3.2	
SR3-15	15.5	3.0	6.2		11.5~13.0	3.0	
SR3-18.5	18.5				15.0~16.5		
SR3.5-4.5	4.5	3.5	6.3	1.7	2.0~3.0	3.5	
SR3.5-5	5.0				2.5~3.5		
SR3.5-5.5	5.5				3.0~4.0		
SR3.5-6	6.0				4.5~5.5		
SR3.5-7	7.0				6.0~7.0		
SR3.5-9	9.0	3.45			18.5~20.0		
SR3.5-23	23.0						
SR4-5	5.0	4.0	7.8	1.9	2.5~3.5	4.0	
SR4-6	6.1				3.5~4.5		
SR4-6F					7.5		1.1
SR4-7	7.1		8.0	2.0	4.5~5.5		
SR4-7FS	7.0		6.4	0.8	3.5~5.0		
SR4-8	8.1		8.0	2.0	5.5~6.5		
SR4-8F	8.2		7.5	1.1			
SR4-9	9.0				6.5~7.5		
SR4-10	10.0		8.0	2.0	7.5~8.5		
SR4-12	12.0				9.5~10.5		
SR4-13F	14.5		6.4	1.0	10.0~11.0		
SR4-14	13.7				11.0~12.0		
SR4-15	15.3		8.0	2.0	11.5~13.0		
SR4-20	20.0				15.0~17.0		
SR4-25	24.5				22.0~23.0		
SR5-4.5	4.6	5.0	8.9	2.2	1.5~2.5	5.0	
SR5-4.5F	7.0		8.5	2.5			
SR5-5.5	5.5				2.5~3.5		
SR5-6.5	6.5		8.9	2.2	3.5~4.5		
SR5-7.5	7.5				4.5~5.5		
SR5-8.5	8.4				5.5~6.5		
SR6-6	6.0	6.0	12.0	2.5	2.5~4.0	6.0	

勝特力材料 886-3-5753170
 勝特力电子(上海) 86-21-34970699
 勝特力电子(深圳) 86-755-83298787
[Http://www.100y.com.tw](http://www.100y.com.tw)