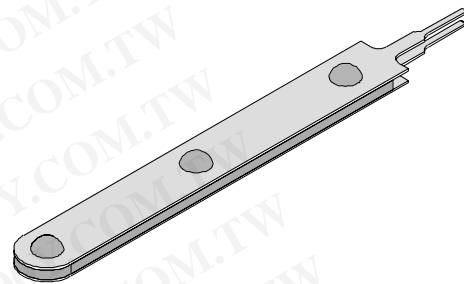




# Extractor Tool Instruction Sheet Order No. 11-03-0044 (HT60630B)



The Extraction Tool is a simple hand tool used to remove Mini-Fit Jr.™ Crimped Terminals 30490, 44476, 44478, 5556T, T2, T3, and 5558T, T2, T3 from their housings.

## OPERATION:

1. Insert the extractor tool into the housing as shown in Figure 1.
2. Use the slots located on the inside of the housing to guide the extraction tool blades into the housing until contact is made with terminal.
3. Continue to insert the tool always checking to see that the blades of extraction tool are on the outside of the contact as shown in Figure 2.
4. Continue to insert extraction tool into housing until the locking tangs have snapped out of their locked position. If the terminal locking tabs are still not totally depressed, hold on tight to the wire and push it towards the extractor tool, this will completely depress the locking tabs. See Figure 2.
5. Gently pull the terminal by the wire, out from the housing.

勝特力材料 886-3-5753170  
勝特力电子(上海) 86-21-34970699  
勝特力电子(深圳) 86-755-83298787  
[Http://www.100y.com.tw](http://www.100y.com.tw)

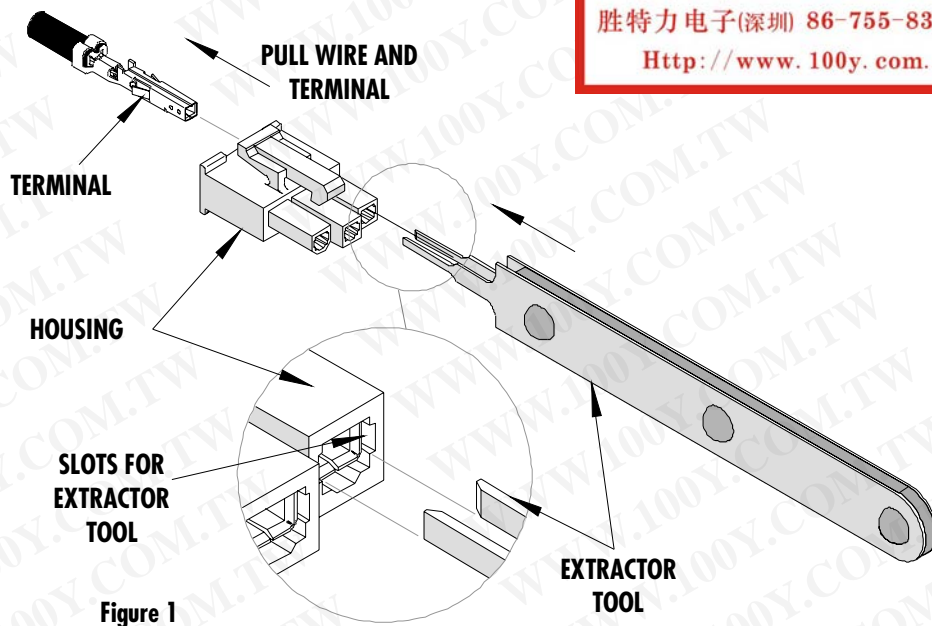
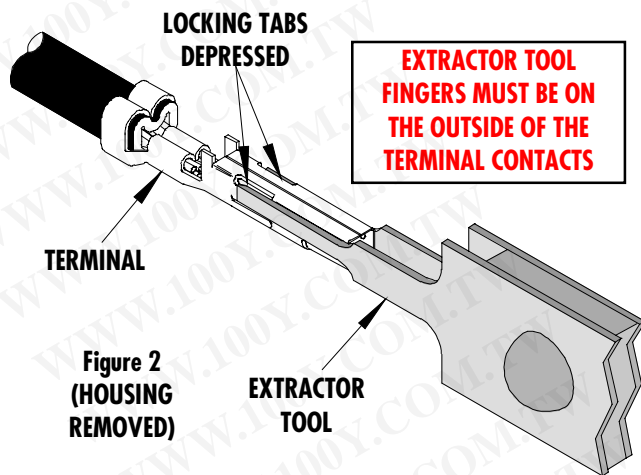


Figure 1

**NOTE:**

When a terminal is removed in this manner the locking tangs are damaged and the terminal is not reusable.



Terminal and Housing Application Chart		
<b>Terminal No.</b>	<b>Used with Housing</b>	Uses Extractor Tool No. 63813-1200 only for these Terminal and Housing Combinations.
44478-**2*	44157	
44476-****	44156	

勝特力材料 886-3-5753170  
 勝特力电子(上海) 86-21-34970699  
 勝特力电子(深圳) 86-755-83298787  
[Http://www.100y.com.tw](http://www.100y.com.tw)