

# SZF 2-0,8X4,0 - Screwdriver



1204520

<https://www.phoenixcontact.com/us/products/1204520>

Please be informed that the data shown in this PDF document is generated from our online catalog. Please find the complete data in the user documentation. Our general terms of use for downloads are valid.



Actuation tool, for ST terminal blocks, also suitable for use as a bladed screwdriver, size: 0.8 x 4.0 x 100 mm, 2-component grip, with non-slip grip

## Your advantages

- In addition to its standard application, this screwdriver is also ideal for actuating ST ... and QTC ... modular terminal blocks

## Commercial data

Item number	1204520
Packing unit	1 pc
Minimum order quantity	10 pc
Sales key	BH31
Product key	BH3141
Catalog page	Page 448 (C-3-2019)
GTIN	4017918018955
Weight per piece (including packing)	59.558 g
Weight per piece (excluding packing)	53.353 g
Customs tariff number	82054000
Country of origin	CZ

# SZF 2-0,8X4,0 - Screwdriver

1204520

<https://www.phoenixcontact.com/us/products/1204520>



## Technical data

### Notes

#### Environmental Product Compliance

California Proposition 65

Further information on California's prop. 65 is available under "Downloads" in the manufacturer's declaration

### Product properties

Type

Bladed

Product type

Screwdriver tools

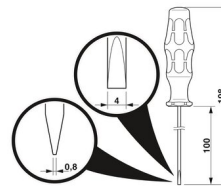
### Connection data

Output

Bladed

### Dimensions

Dimensional drawing



Width

33 mm

Blade width

4 mm

Blade height

100 mm

Length

198 mm

Wrench size for mounting

0 mm

Blade thickness

0.8 mm

### Material specifications

Material

alloyed tool steel

### Standards and regulations

Tests

DIN/ISO 2380-1

### Mounting

Wrench size

0 mm

# SZF 2-0,8X4,0 - Screwdriver

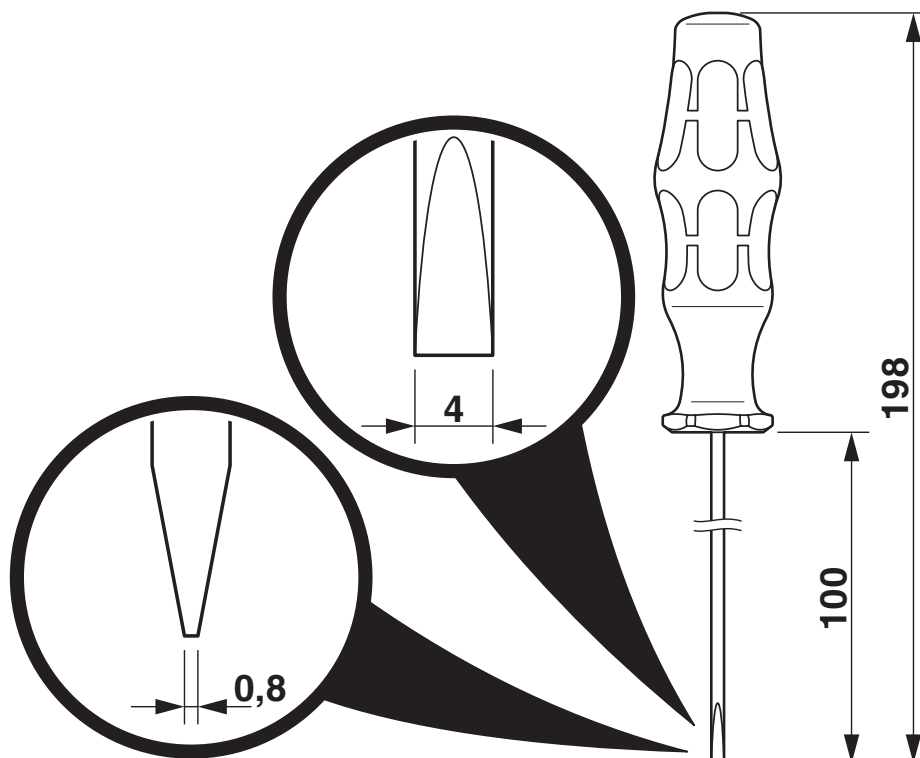
1204520

<https://www.phoenixcontact.com/us/products/1204520>



## Drawings

Dimensional drawing



# SZF 2-0,8X4,0 - Screwdriver

1204520

<https://www.phoenixcontact.com/us/products/1204520>



## Approvals

🔗 To download certificates, visit the product detail page: <https://www.phoenixcontact.com/us/products/1204520>



**EAC**

Approval ID: RU x-DE.xx08.B.02974

# SZF 2-0,8X4,0 - Screwdriver



1204520

<https://www.phoenixcontact.com/us/products/1204520>

## Classifications

### ECLASS

ECLASS-11.0	21040407
ECLASS-12.0	21040407
ECLASS-13.0	21040407

### ETIM

ETIM 9.0	EC000158
----------	----------

### UNSPSC

UNSPSC 21.0	27111700
-------------	----------

Phoenix Contact 2023 © - all rights reserved

<https://www.phoenixcontact.com>

Phoenix Contact USA  
586 Fulling Mill Road  
Middletown, PA 17057, United States  
(+717) 944-1300  
[info@phoenixcon.com](mailto:info@phoenixcon.com)