

Dial Caliper

Series 505

These calipers allow you to take reliable measurements and offer you the following benefits:

- Equipped with characters in a new font for easier read-out



Functions	Series 505
Locking screw	

Specifications

Accuracy	Refer to the list of specifications
Depth bar	flat
Delivered	In a case

Optional accessories

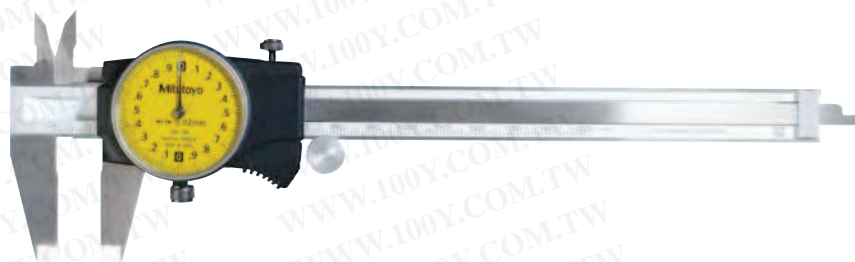
No.	Description
050083-10	75 mm base for depth measurement for models up to 200 mm
050084-10	100 mm base for depth measurement for models up to 200 mm
050085-10	125 mm base for depth measurement for 300 mm models



Carbide tipped jaws outside
505-734



Carbide tipped jaws inside and outside
505-735

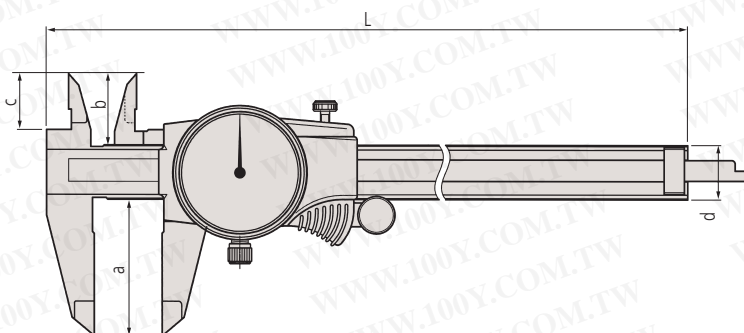


505-730



505-732

No.	Range [mm]	Graduation	Accuracy	Remarks	L [mm]	a [mm]	b [mm]	c [mm]	d [mm]	Mass [g]
505-730	0-150	0,02 mm. 2 mm/rev	±0,03 mm		231	40	21	16,5	16	175
505-732	0-150	0,01 mm. 1 mm/rev	±0,02 mm		231	40	21	16,5	16	176
505-734	0-150	0,02 mm. 2 mm/rev	±0,03 mm	carbide tipped jaws for outside	231	40	21	16,5	16	175
505-735	0-150	0,02 mm. 2mm/rev	±0,03 mm	carbide tipped jaws for outside and inside	231	40	21	16,5	16	175
505-731	0-200	0,02 mm. 2 mm/rev	±0,03 mm		288	50	24,5	20	16	185
505-733	0-200	0,01 mm. 1 mm/rev	±0,03 mm		288	50	24,5	20	16	186
505-745	0-300	0,02 mm. 2 mm/rev	±0,04 mm		403	64	27,5	22	20	370



勝特力材料 886-3-5753170
 勝特力电子(上海) 86-21-34970699
 勝特力电子(深圳) 86-755-83298787
[Http://www.100y.com.tw](http://www.100y.com.tw)