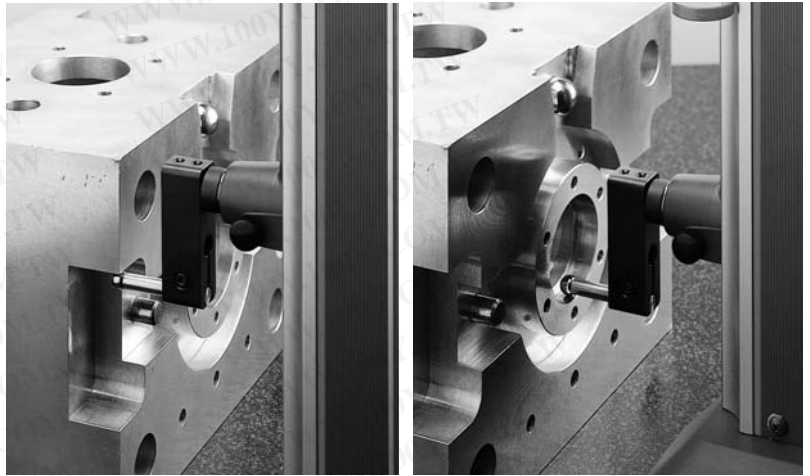


Linear Height

SERIES 518 — 2D Measurement System

勝特力材料 886-3-5753170
 勝特力电子(上海) 86-21-54151736
 勝特力电子(深圳) 86-755-83298787
[Http://www.100y.com.tw](http://www.100y.com.tw)

HEIGHT GAGES



SPECIFICATIONS

Metric/Inch	
Order No.*	518-321A-21 (120V with English manual) 518-321A-22 (120V with Spanish manual) 518-321D-21 (220V with English manual) 518-321D-22 (220V with Spanish manual) 518-321D-23 (220V with German manual) 518-321D-24 (220V with French manual) 518-321D-25 (220V with Italian manual) 518-321E-21 (240V with English manual)
Range	0 - 972mm (0 - 38")
Slider travel	600mm (34")
Resolution (switchable)	0.0001mm/0.001mm/0.01mm/0.1mm/ .000001"/.00001"/.0001"/.001"
Accuracy**	(2+L/600)µm
Repeatability (2σ)	Plane: 0.5µm Bore: 1µm
Perpendicularity	6µm
Straightness	4µm
Drive method	Manual/Motor (5 - 40mm, 7 steps)
Measuring force	1N
Balancing method	Counterweight (Auxiliary weights available.)
Floating method	Air bearings with built-in air compressor
Display	Graphic LCD (320x240 dot, with backlight)
Language for display	English/German/French/Spanish/Italian/Japanese
Data output	RS-232C
Power supply	Built-in rechargeable battery or AC adapter (100-240V AC, 50/60Hz)
Dimensions (WxDxH)	240x287x1013mm
Mass	24kg

FEATURES

- Excellent accuracy of (2+L/600)µm with 0.1µm/0.5µm resolution/repeatability.
- Unique pneumatic full/semi-floating system achieves rapid inspection speed while maintaining the accuracy.
- One-key operation for semiautomatic measuring run.
- Employs Icon display for informative GUI.
- Automatic stand-by in the repeat measurement.
- Immediate GO/NG judgment at each measurement.
- Complete stand-alone design with rechargeable battery pack and self-contained pneumatic system.
- 24kg smart body for high mobility.
- Large memory capacity for 50 measuring programs and 60,000 measured data.
- Off-line part programming.
- RS-232C data output.
- Data entry from a digital indicator for straightness measurement.
- Optional external battery charger and spare battery pack for continuous operation.

*Power grip preinstalled models are available.
 518-322A-21 (120V with English manual)
 518-322A-22 (120V with Spanish manual)
 518-322D-21 (220V with English manual)
 518-322D-22 (220V with Spanish manual)
 518-322D-23 (220V with German manual)
 518-322D-24 (220V with French manual)
 518-322D-25 (220V with Italian manual)
 518-322E-21 (240V with English manual)

**L = Measured length (mm), excluding quantizing error.

OPTIONAL ACCESSORIES

Order No.	Description
12AAA787	Setting block for taper probe
957261	ø2 ball probe
957262	ø3 ball probe
957263	ø4 ball probe
12AAB552	ø10 carbide ball probe
12AAA788	ø4 ball offset probe
12AAA789	ø6 ball offset probe
957264	ø14 disk probe
957265	ø20 disk probe
226116	Test indicator (ø6 stem) adapter
226117	M2 CMM stylus adapter
226118	M3 CMM stylus adapter
12AAC072	Depth probe
12AAC073	ø20 taper probe
12AAB136	ø10 cylindrical probe
12AAA793	Probe extension holder (199mm)
12AAA792	Dial indicator (ø8 stem) holder
12AAA837	Dial indicator (ø3/8" stem) holder
932361	Mu-checker lever head holder
06AAN066	Touch signal probe
12AAA794	Probe connecting cable
-----	CMM ball and disk hard probes are available
12AAA798	Auxiliary weight
12AAA796	Thermal-receipt printer (230V)
12AAA797	Thermal-receipt printer (120V)
12AAA802	Thermal print paper (10 pcs.)
12AAA804	Cable for page printer (EPSON LQ-300 or LX-300) (2m)
12AAA805	Cable for page printer (EPSON LQ-300 or LX-300) (4m)
12AAA799	Floppy disk drive
12AAA800	Battery charger
12AAA807	RS-232C cable (2m/80")
12AAA808	RS-232C cable (4m/160")
936937	SPC cable for Digimatic data entry (1m)
965014	SPC cable for Digimatic data entry (2m)
12AAA879	Model workpiece for training

Consumables

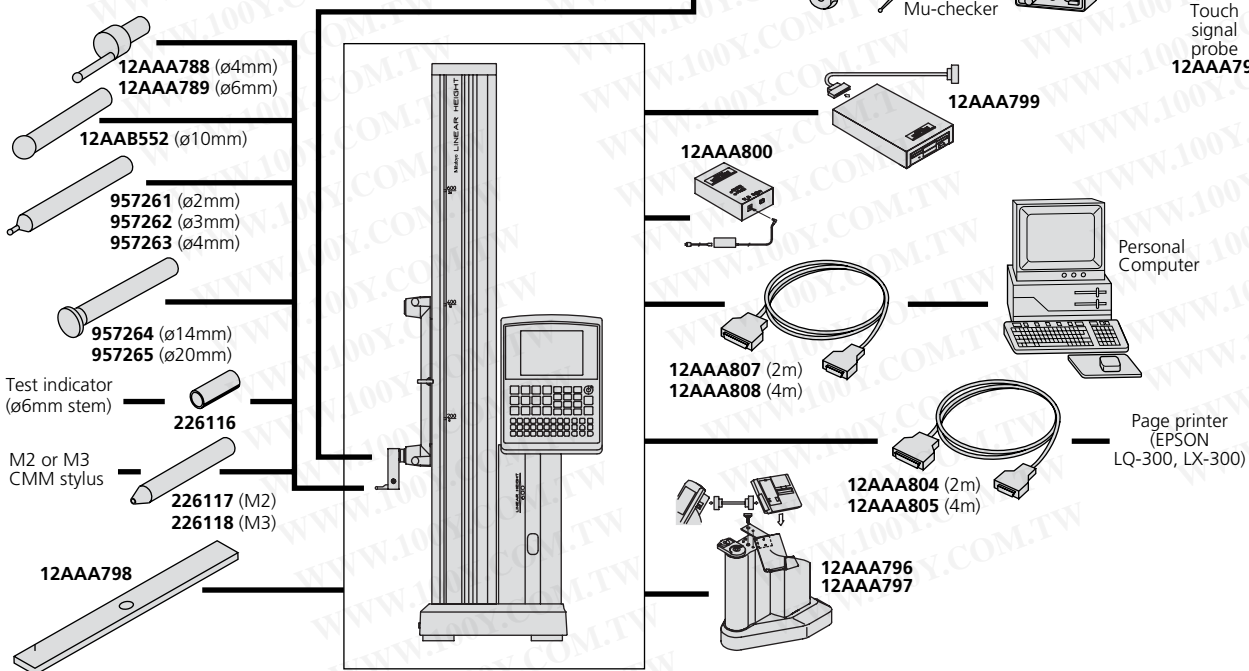
Order No.	Description	Qty.
12AAA802	Thermal print paper	10pcs.



HEIGHT GAGES



SYSTEM DIAGRAM



QM-Hite

SERIES 518 — High Precision Digital Height Gage

勝特力材料 886-8-5753170
 勝特力电子(上海) 86-21-54151736
 勝特力电子(深圳) 86-755-83298787
[Http://www.100y.com.tw](http://www.100y.com.tw)



HEIGHT GAGES



518-222

SPECIFICATIONS

Metric		
Order No.*	518-220	518-222
Range	0 - 350mm	0 - 600mm
Resolution	0.001mm, 0.005mm	0.001mm, 0.005mm
Accuracy**	$\pm(2.8+5L/1000)\mu\text{m}$	$\pm(2.8+5L/1000)\mu\text{m}$
Repeatability	$2\sigma \leq 1.8\mu\text{m}$	$2\sigma \leq 1.8\mu\text{m}$

Inch/Metric		
Order No.*	518-221	518-223
Range	0 - 14"/0 - 350mm	0 - 24"/0 - 600mm
Resolution	.00005", .0001", .0002", 0.001mm, 0.005mm	
Accuracy	$\pm(2.8+5L/1000)\mu\text{m}$	$\pm(2.8+5L/1000)\mu\text{m}$
Repeatability	$2\sigma \leq 1.8\mu\text{m}$	$2\sigma \leq 1.8\mu\text{m}$

Display	LCD	
Functions	Zero-setting, +/- switching, Presetting, Data hold, Probe tip diameter compensation, inch/mm conversion (Inch/Metric model only), Data output	
Perpendicularity	0.008mm	0.013mm
Measuring force	1.6±0.5N	1.6±0.5N
Data output	SPC, RS-232C	SPC, RS-232C
Power supply	Via AC adapter (optional accessory)	
Dimensions (WxDxH)	210x350x772mm	210x350x1022mm
Mass	22kg	27kg

*Model with setting block for ball probe (12AAA715)
 518-224 (350mm)
 518-226 (600mm)
 518-225 (14"/350mm)
 518-227 (24"/600mm)

**L=Measured length (mm), excluding quantizing error.

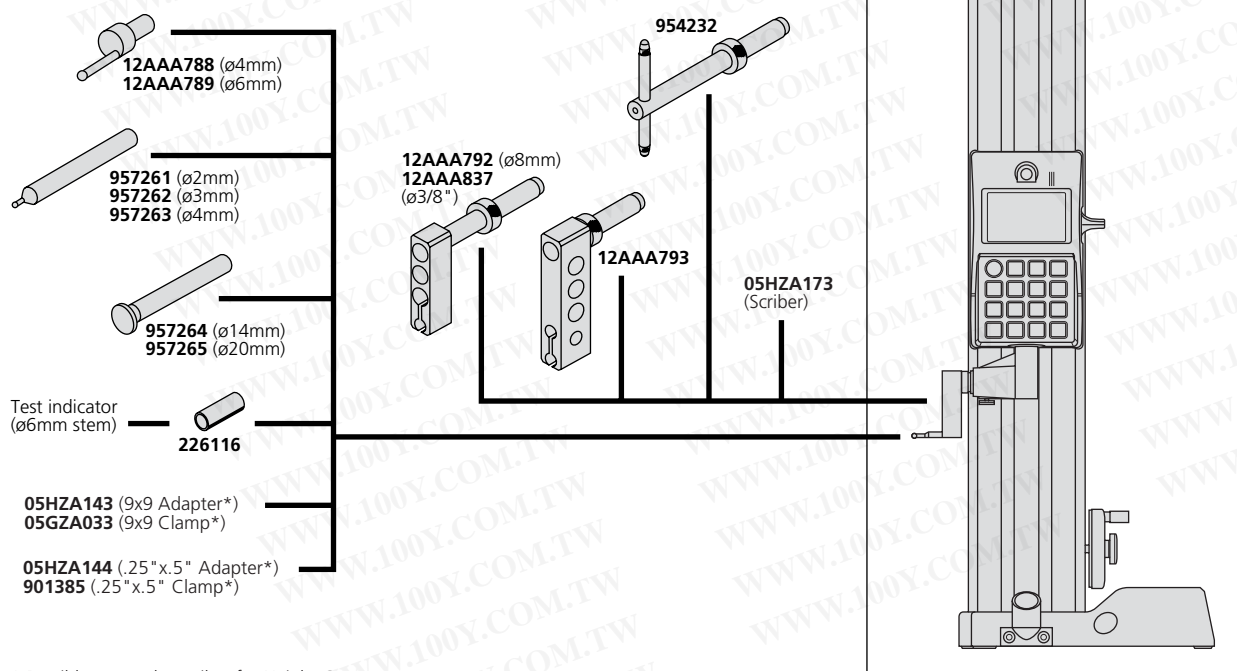
FEATURES

- Newly developed high accuracy and high resolution Absolute Type linear encoder for position detection.
- Easy reference icon keys.
- Possible to measure inside/outside diameter via a unique process (detect the circle apex and process by tracing measurement).
- Various types of probes (optional).
- Large size LCD.
- GO/±NG judgment is performed by setting the upper and lower tolerances. If a judgment result is out of tolerance, the display backlighting changes from green to red, so tolerance judgment can be made at a glance.
- Slider elevation knob/wheel.
- Digimatic and RS-232C output.

勝特力材料 886-3-5753170
 勝特力电子(上海) 86-21-54151736
 勝特力电子(深圳) 86-755-83298787
[Http://www.100y.com.tw](http://www.100y.com.tw)

OPTIONAL ACCESSORIES

Order No.	Description
958261	ø2 ball probe
957262	ø3 ball probe
957263	ø4 ball prob
12AAA788	ø4 ball offset probe
12AAA789	ø6 ball offset probe
12AAA715	Setting block for ball probe
957264	ø14 disk probe
957265	ø20 disk probe
226116	Test indicator (ø6mm stem) adapter
12AAA793	Probe extension holder (199mm)
12AAA792	Dial indicator (ø8 stem) holder
12AAA837	Dial indicator (ø3/8" stem) holder
954232	Depth probe
05HZA173	Scriber
05HZA143	9x9mm adapter for dial test indicator
05HZA144	.25"x.5" adapter for dial test indicator
05GZA033	Clamp for 05HZA143
901385	Clamp for 05HZA144
936937	SPC cable for Digimatic data entry (1m)
965014	SPC cable for Digimatic data entry (2m)



* Possible to use the scriber for Height Gage.



Heightmatic

SERIES 574 — High Precision Height Gage

勝特力材料 886-3-5753170
 勝特力电子(上海) 86-21-54151736
 勝特力电子(深圳) 86-755-83298787
[Http://www.100y.com.tw](http://www.100y.com.tw)

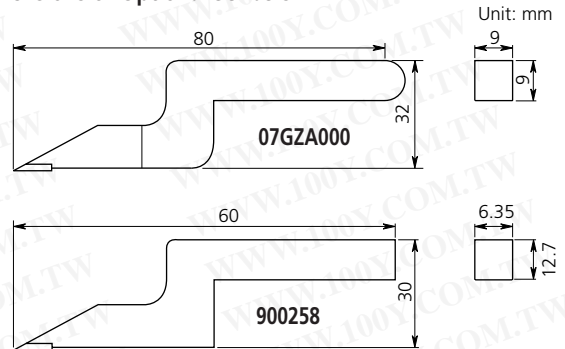


574-111-1

FEATURES

- Provides resolution of 0.001mm on the bright fluorescent-tube readout for accurate measurements.
- Excellent functionality and easy operation.
- The standard Two-directional Touch-Signal Probe provides improved efficiency and reliability of measurement for the Heightmatic.
- Optional carbide-tipped scriber.
07GZA000 (metric) or **900258** (inch/metric)

Dimensions of Optional Scribers



SPECIFICATIONS

Metric

Order No.	574-112-1	574-111-1	574-110-1
Range	0 - 300mm	0 - 450mm	0 - 600mm
Resolution	0.001mm	0.001mm	0.001mm
Accuracy*	±0.004mm	±0.004mm	±0.005mm
Repeatability	0.001mm	0.001mm	0.001mm

Inch/Metric

Order No.	574-212-1	574-211-1	574-210-1
Range	0 - 12"/0 - 300mm	0 - 18"/0 - 450mm	0 - 24"/0 - 600mm
Resolution	.0001"/0.001mm	.0001"/0.001mm	.0001"/0.001mm
Accuracy*	±.0002"	±.0002"	±.0002"
Repeatability	.0001"	.0001"	.0001"

Note: To denote your AC line voltage fill the blank of order number with the following suffixes (e.g. **574-111A**). **A** for 120V, **D** for 220V, **E** for 240/220V, **K** for Korea, **DC** for China. No suffix is required for 100V.

*Excluding quantizing error.

	6-digit LCD	6-digit LCD	6-digit LCD
Display	6-digit LCD	6-digit LCD	6-digit LCD
Functions	Zero-setting, +/- switching, Presetting, Data hold, Probe tip diameter compensation, inch/mm conversion (Inch/Metric model only), Data output, Error alarm		
Data output	SPC	SPC	SPC
Power supply	Via AD adapter (standard accessory)		
Dimensions (WxDxH)	150x250x574mm	150x250x724mm	150x250x874mm
Mass	13.6kg	14.9kg	16.2kg

Touch-Signal Probe (Standard accessory)



- Two-directional type
- ø3mm ball contact point
- Measuring force 0.4N

OPTIONAL ACCESSORIES

Order No.	Description
936937	SPC cable (1m)
965014	SPC cable (2m)
900321	Swivel clamp for Dial Test Indicator (metric)
900322	Swivel clamp for Dial Test Indicator (inch)
953638	Holding bar (metric) for swivel clamp
953639	Holding bar (inch) for swivel clamp
07GZA000	Scriber (metric)
900258	Scriber (inch/metric)
145250	ø1mm contact point for Touch-Signal Probe
145251	ø2mm contact point for Touch-Signal Probe

Digimatic Height Gages

SERIES 192 — Multi-function Type with SPC Data Output



SPC

192-663

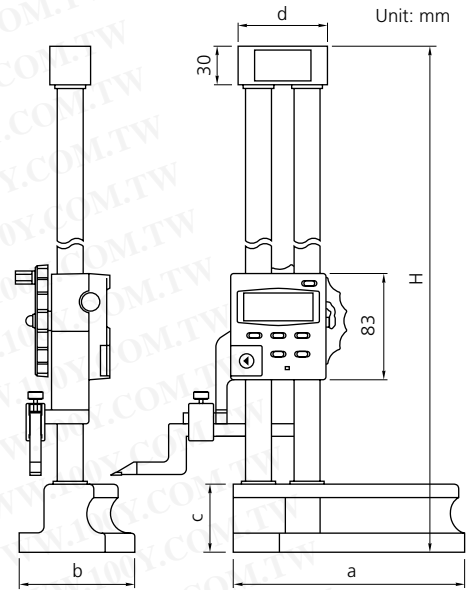


SPC cable
(optional)



Two-directional
touch signal probe
(optional)

Dimensions



Range	H	a	b	c	d
0 - 300mm	510	149	100	48	70
0 - 600mm	802	180	120	54	70

Note: Please contact Mitutoyo Corporation directly for the dimensions of Digimatic Height Gage with a measuring range of 1000mm.

FEATURES

- Highly versatile multi-function type.
- A carbide-tipped long scribe is provided.
- Rigid construction ensures repeatable measurement.
- Coarse/Fine Feed switching.
- Two-directional touch signal probe is an optional accessory. It can quickly and accurately measure steps, inside width, and outside width.
- With SPC data output.

SPECIFICATIONS

Metric

Range	Order No.	Resolution	Accuracy	Mass	Remarks
0 - 300mm	192-663	0.01mm	±0.02mm	6.5kg	Standard accessories:
0 - 600mm	192-664	0.01mm	±0.04mm	9.5kg	Scribe (905200) and
0 - 1000mm	192-665	0.01mm	±0.06mm	19.8kg	scriber clamp (05GZA033)

Excluding quantizing error

Inch/Metric

Range	Order No.	Resolution	Accuracy	Mass	Remarks
0 - 12" (0 - 300mm)	192-670	.0005"/0.01mm	±.001"	14.3 lbs.	Standard accessories:
0 - 18" (0 - 450mm)	192-671	.0005"/0.01mm	±.0015"	19.1 lbs.	Scribe (905201) and
0 - 24" (0 - 600mm)	192-672	.0005"/0.01mm	±.0015"	20.9 lbs.	scriber clamp (901385)
0 - 40" (0 - 1000mm)	192-673	.0005"/0.01mm	±.0015"	43.6 lbs.	

Excluding quantizing error

Technical Data

Display: LCD

Functions:

Zero-Set, presetting, preset value recalling, ABS/INC measurement mode switching, SPC data output, data hold, two-directional touch signal probe, counting direction switching, power on/off, inch/mm conversion (inch/mm type only)

Battery:

Battery life:

CR2032 lithium battery (1 pc.) (**055AA217**)
 Approx. 2000 hours in continuous use

Maximum response speed:

Approx. 500mm/s

Alarm:

Low battery voltage, counting error

Operating temperature: 0°C to 40°C

OPTIONAL ACCESSORIES

Order No.	Description
192-007	Two-directional touch signal probe (mm type)
192-008	Two-directional touch signal probe (mm type)
905338	SPC cable (1m)
905409	SPC cable (2m)
905691	SPC cable (1m), L-shape type
905692	SPC cable (2m), L-shape type



Digimatic Height Gages

SERIES 192 — Standard Type

HEIGHT GAGES



192-613

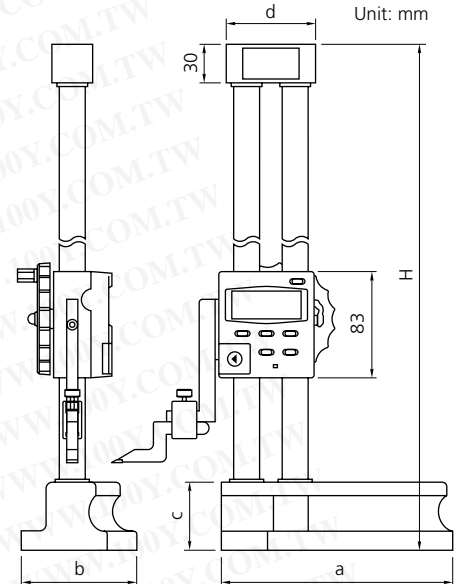


Easy-to-operate key arrangement



Coarse/
Fine Feed Wheel

Dimensions



Range	H	a	b	c	d
0 - 300mm	475	135	91	45	63
0 - 600mm	802	180	120	54	70

Note: Please contact Mitutoyo Corporation directly for the dimensions of Digimatic Height Gage with a measuring range of 1000mm.

FEATURES

- Easy-to-use standard type.
- Double-column structure ensures high measuring accuracy.
- Carbide-tipped scriber.
- Coarse/Fine Feed switching.
- Without SPC data output.

Technical Data

Display: LCD
Functions: Zero-Set, presetting, preset value recalling, ABS/INC measurement mode switching, data hold, counting direction switching, power on/off, inch/mm conversion (inch/mm type only)
Battery: CR2032 lithium battery (1 pc.) (05SAA217)
Battery life: Approx. 2000 hours in continuous use
Maximum response speed: Approx. 500mm/s
Alarm: Low battery voltage, counting error
Operating temperature: 0°C to 40°C

SPECIFICATIONS

Metric

Range	Order No.	Resolution	Accuracy	Mass	Remarks
0 - 300mm	192-613	0.01mm	±0.02mm	4.7kg	Standard accessories:
0 - 600mm	192-614	0.01mm	±0.05mm	9.5kg	Scriber (07GZA000) and
0 - 1000mm	192-615	0.01mm	±0.07mm	19.8kg	scriber clamp (05GZA033)

Excluding quantizing error

Inch/Metric

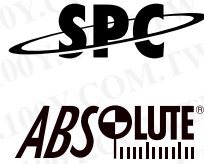
Range	Order No.	Resolution	Accuracy	Mass	Remarks
0 - 12" (0 - 300mm)	192-630	.0005"/0.01mm	±.001"	10.3 lbs.	Standard accessories:
0 - 18" (0 - 450mm)	192-631	.0005"/0.01mm	±.002"	19.1 lbs.	Scriber (900258) and
0 - 24" (0 - 600mm)	192-632	.0005"/0.01mm	±.002"	20.9 lbs.	scriber clamp (901385)
0 - 40" (0 - 1000mm)	192-633	.0005"/0.01mm	±.003"	43.6 lbs.	

Excluding quantizing error

Digimatic Height Gages

SERIES 570 — with Absolute Scale

勝特力材料 886-3-5753170
 勝特力电子(上海) 86-21-54151736
 勝特力电子(深圳) 86-755-83298787
[Http://www.100y.com.tw](http://www.100y.com.tw)



570-302

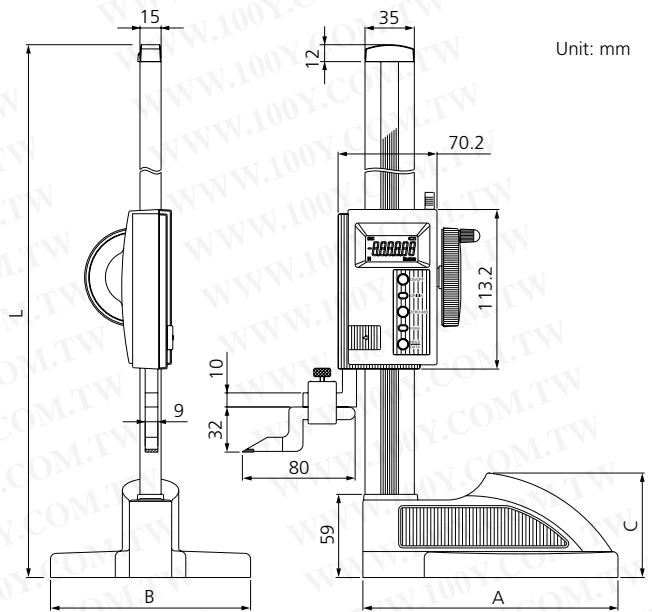


Smooth slider feed wheel



Large clamp lever

Dimensions



FEATURES

- Built-in absolute scale
This encoder eliminates the necessity of setting the reference point at every power-on. It has improved reliability because no over-speed error will occur.
- Rigid column structure ensures high measuring accuracy.
- Carbide-tipped scriber.
- Large LCD display.
- With SPC data output.

SPECIFICATIONS

Metric					
Range	Order No.	Resolution	Accuracy	Mass	Remarks
0 - 300mm	570-302	0.01mm	±0.03mm	4.6kg	Standard accessories: Scriber (07GZA000)
0 - 600mm	570-304	0.01mm	±0.05mm	6.4kg	

Excluding quantizing error

Inch/Metric					
Range	Order No.	Resolution	Accuracy	Mass	Remarks
0 - 12" (0 - 300mm)	570-312	.0005"/0.01mm	±.0015"	10.1 lbs.	Standard accessories: Scriber (900258)
0 - 18" (0 - 450mm)	570-313	.0005"/0.01mm	±.002"	13.0 lbs.	
0 - 24" (0 - 600mm)	570-314	.0005"/0.01mm	±.002"	14.1 lbs.	

Excluding quantizing error

Technical Data

- Display:** LCD
Functions: Origin setting, ABS/INC measurement mode switching, data hold, power on/off, inch/mm conversion (inch/mm type only)
Battery: SR44 battery (1 pc.) (**938882**)
Battery life: Approx. 20,000 hours in continuous use
Maximum response speed: Un limited
Alarm: Low battery voltage
Operating temperature: 0°C to 40°C



Digimatic Height Gages

SERIES 570 — with SPC Output

勝特力材料 886-3-5753170
 勝特力电子(上海) 86-21-54151736
 勝特力电子(深圳) 86-755-83298787
[Http://www.100y.com.tw](http://www.100y.com.tw)

HEIGHT GAGES

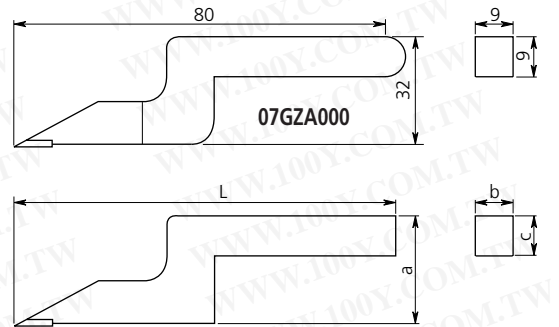


570-227

FEATURES

- Can easily measure the height of small parts.
- The clear LCD screen provides digital readout to 0.01mm for error-free reading.
- The robust construction with a thick column provides highly repeatable measurements.
- Fine-adjustment carriage to feed the slider finely.
- Carbide-tipped scriber.
- Functions include: Zero-setting, Presetting, Data hold, Data output, +/- switching, inch/mm conversion (Inch/Metric model only), Error alarm, Low battery alarm.
- Power supply: One SR44 battery (938882)

Dimensions of Scribers



Unit: mm

Parts No.	L	a	b	c
900173	47	25	6.35	12.7
905200	150	42	9	9
905201	150	45.7	6.35	12.7

OPTIONAL ACCESSORIES

Order No.	Description
905338	SPC cable (1m)
905409	SPC cable (2m)

SPECIFICATIONS

Metric

Range	Order No.	Resolution	Accuracy	Repeatability	Remarks
0 - 200mm	570-227	0.01mm	±0.03mm	0.01mm	with Scriber (900173)
0 - 1000mm	570-230	0.01mm	±0.07mm	0.01mm	with Scriber (905200)

Excluding quantizing error

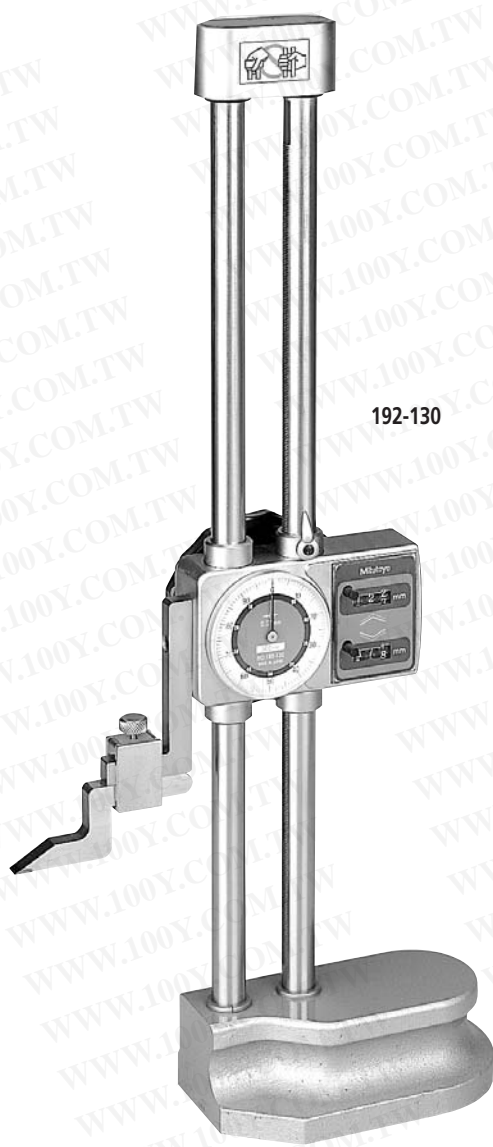
Inch/Metric

Range	Order No.	Resolution	Accuracy	Repeatability	Remarks
0 - 8" (0 - 200mm)	570-244	.0005"/0.01mm	±.001"	.0005"	with Scriber (900173)
0 - 40" (0 - 1000mm)	570-248	.0005"/0.01mm	±.003"	.0005"	with Scriber (905201)

Excluding quantizing error

Digital Counter Type Dial Height Gages

SERIES 192

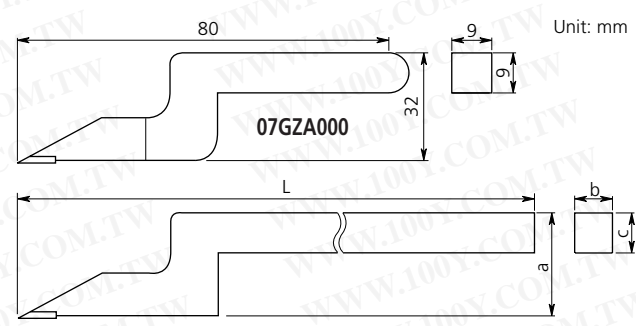


192-130

勝特力材料 886-3-5753170
 胜特力电子(上海) 86-21-54151736
 胜特力电子(深圳) 86-755-83298787
[Http://www.100y.com.tw](http://www.100y.com.tw)

HEIGHT GAGES

Dimensions of Scribers



Unit: mm

Parts No.	L	a	b	c
900258	60	30	6.35	12.7

FEATURES

- Easy and error-free reading with both up and down digital counters as well as a dial.
- Provided with a feed wheel for easy coarse feeding.
- Carbide-tipped scriber: **07GZA000** (metric) or **900258** (inch).

SPECIFICATIONS

Metric			
Range	Order No.	Vernier reading	Accuracy
0 - 300mm	192-130	0.01mm	±0.03mm
0 - 450mm	192-131	0.01mm	±0.05mm
0 - 600mm	192-132	0.01mm	±0.05mm
0 - 1000mm	192-133	0.01mm	±0.07mm

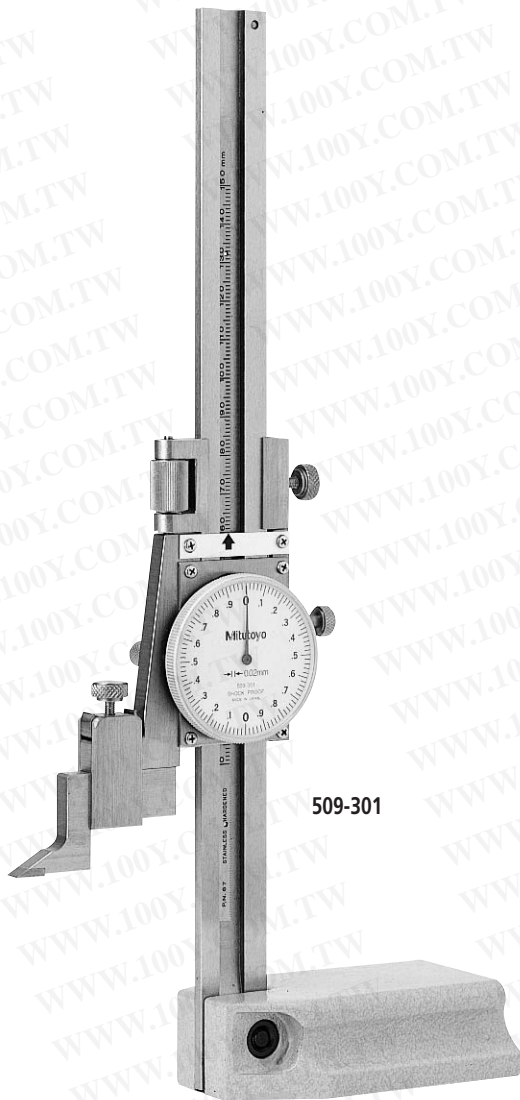
*Heavy duty type with a long scriber (900167)

Inch			
Range	Order No.	Dial reading	Accuracy
0 - 12"	192-140	.001"	±.0015"
0 - 18"	192-141	.001"	±.002"
0 - 24"	192-142	.001"	±.002"
0 - 40"	192-143	.001"	±.003"

Dial Height Gages

SERIES 509

勝特力材料 886-3-5753170
 勝特力电子(上海) 86-21-54151736
 勝特力电子(深圳) 86-755-83298787
[Http://www.100y.com.tw](http://www.100y.com.tw)

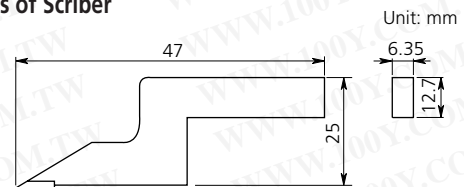


509-301

FEATURES

- Easy and error-free reading with a dial.
- Made of stainless steel throughout.
- Provided with a carbide-tipped scriber (**900173**).

Dimensions of Scriber



SPECIFICATIONS

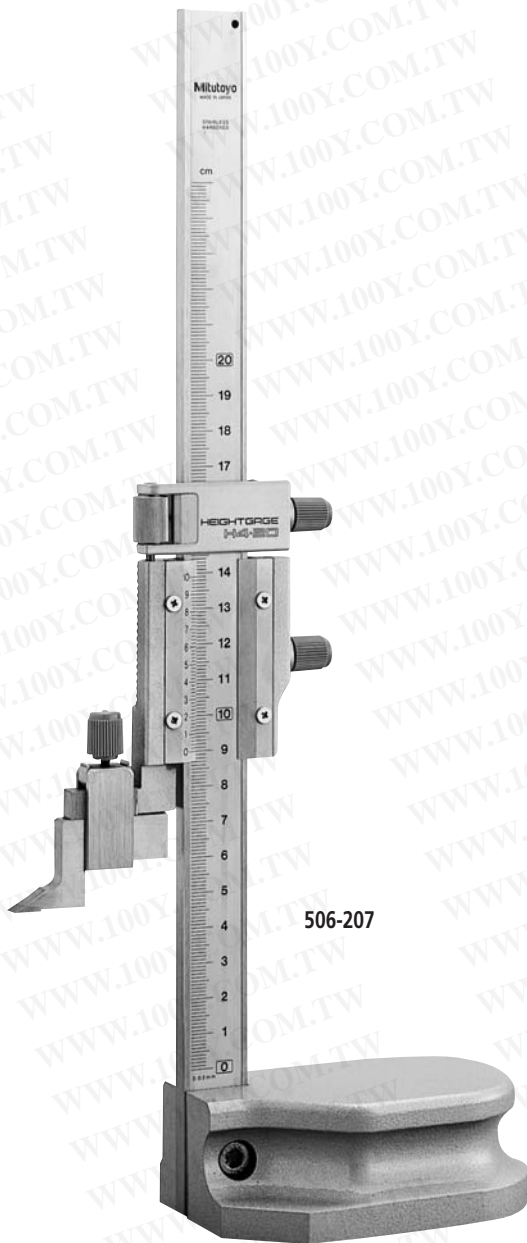
Metric			
Range	Order No.	Dial reading	Accuracy
0 - 150mm	509-301	0.02mm	±0.03mm
0 - 250mm	509-302	0.02mm	±0.04mm

Inch			
Range	Order No.	Dial reading	Accuracy
0 - 6"	509-313	.001"	±.001"
0 - 10"	509-314	.001"	±.0015"

Vernier Height Gages

SERIES 506

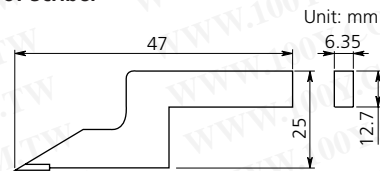
勝特力材料 886-3-5753170
 勝特力电子(上海) 86-21-54151736
 勝特力电子(深圳) 86-755-83298787
[Http://www.100y.com.tw](http://www.100y.com.tw)



FEATURES

- Light weight type can measure easily the height of small parts.
- Beam and slider are made of stainless steel.
- Right hand type for easy use.
- Clear, crisp black graduations on a satin-chrome finish for easy reading.
- Provided with a carbide-tipped scriber (**900173**).

Dimensions of Scriber



SPECIFICATIONS

Metric

Range Left scale	Range Right scale	Order No.	Vernier reading Left scale	Vernier reading Right scale	Accuracy
—	0 - 150mm	506-201	—	0.02mm	±0.03mm
0 - 200mm	—	506-207	0.02mm	—	±0.03mm
—	0 - 250mm	506-204	—	0.02mm	±0.04mm

Metric/Inch

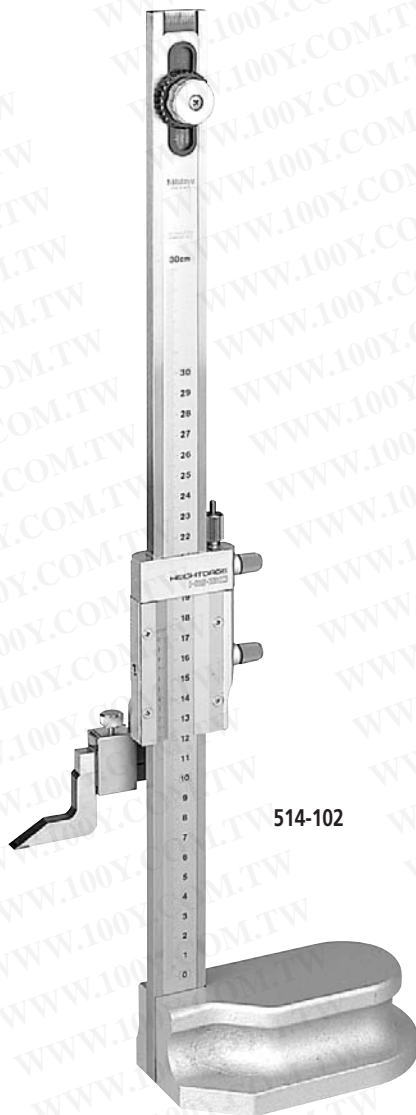
Range Left scale	Range Right scale	Order No.	Vernier reading Left scale	Vernier reading Right scale	Accuracy
0 - 6"	0 - 150mm	506-202	.001"	0.02mm	±.001"
0 - 8"	0 - 200mm	506-208	.001"	0.02mm	±.001"
0 - 10"	0 - 250mm	506-205	.001"	0.02mm	±.0015"



Vernier Height Gages

SERIES 514 — with Adjustable Main Scale

勝特力材料 886-3-5753170
 勝特力电子(上海) 86-21-54151736
 勝特力电子(深圳) 86-755-83298787
[Http://www.100y.com.tw](http://www.100y.com.tw)



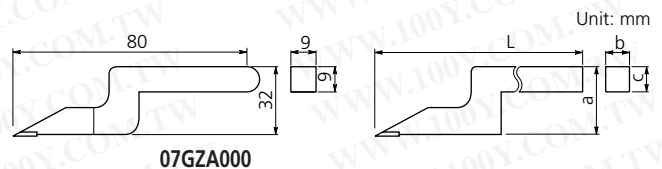
FEATURES

- Zero reference point can be adjusted (15mm/.59", 0-1000mm/0-24" model: 25mm/.98", 0-1500mm model: ±10mm).
- Satin chrome finished scales for glare-free reading.
- Final vernier readings can be assisted by the dedicated magnifier (optional, standard for **514-170**).
- Provided with carbide-tipped scriber (**107GZA000**, 0-1000mm/0-24" model: **905200**, 0-1500mm model: **900390**).
- Extra-large base for rigidity.

OPTIONAL ACCESSORIES

Order No.	Description
07GZA003	Magnifier for 300, 450, 600mm models
07GZA015	Magnifier for 1000mm model

Dimensions of Scribers



Parts No.	L	a	b	c
905200	150	42	9	9
900390	144	45	45	16

SPECIFICATIONS

Metric

Range Left scale	Range Right scale	Order No.	Vernier reading Left scale	Vernier reading Right scale	Accuracy
0 - 300mm	—	514-102	0.02mm	—	±0.04mm
0 - 450mm	—	514-104	0.02mm	—	±0.05mm
0 - 600mm	—	514-106	0.02mm	—	±0.05mm
0 - 1000mm	—	514-108	0.02mm	—	±0.07mm
—	0 - 1500mm	514-170	—	0.05mm	±0.18mm

Metric/Inch

Range Left scale	Range Right scale	Order No.	Vernier reading Left scale	Vernier reading Right scale	Accuracy
0 - 12"	0 - 300mm	514-103	.001"	0.02mm	±.002"
0 - 18"	0 - 450mm	514-105	.001"	0.02mm	±.002"
0 - 24"	0 - 600mm	514-107	.001"	0.02mm	±.002"
0 - 40"	0 - 1000mm	514-109	.001"	0.02mm	±.003"

Scribers for Height Gages

勝特力材料 886-3-5753170
 勝特力电子(上海) 86-21-54151736
 勝特力电子(深圳) 86-755-83298787
[Http://www.100y.com.tw](http://www.100y.com.tw)



FEATURES

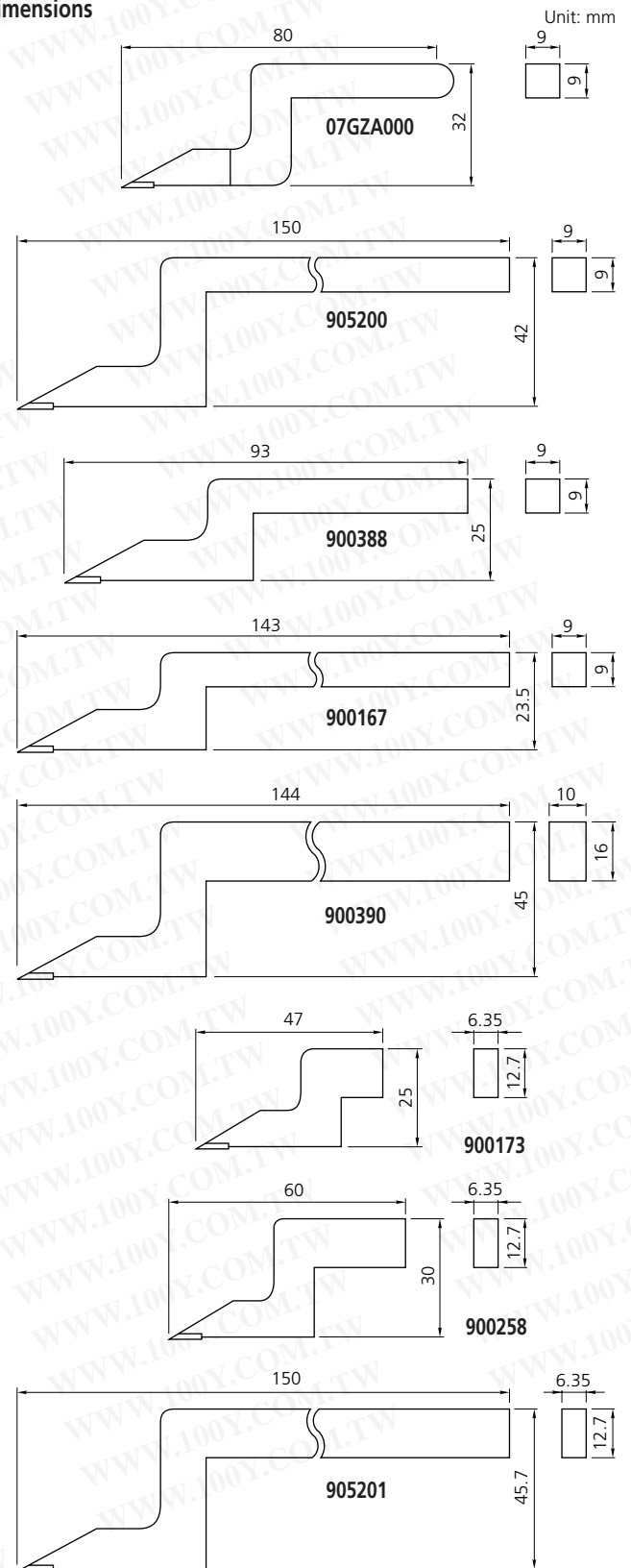
- Carbide-tipped.
- Use the appropriate scriber and clamp for each height gage.

SPECIFICATIONS

Metric	
Order No.	Height gages to be fitted
07GZA000	192 Series Digimatic Height Gages (192-613, 192-614, 192-615)
	570 Series Digimatic Height Gages (570-302, 570-304)
	192 Series Dial Height Gages (192-130, 192-131, 192-132, 192-133)
	514 Series Vernier Height Gages (514-102, 514-104, 514-106, 514-103, 514-105, 514-107)
905200	574 Series Heightmatic (574-112-1, 574-111-1, 574-110-1)
	192 Series Digimatic Height Gages (192-663, 192-664, 192-665)
	570 Series Digimatic Height Gages (570-230)
900167	514 Series Vernier Height Gages (514-108, 514-109)
	192 Series Dial Height Gage (192-201)
900390	514 Series Vernier Height Gage (514-170)

Inch	
Order No.	Height gages to be fitted
900173	570 Series Digimatic Height Gages (570-202, 570-212)
	506 Series Vernier Height Gages (506-201, 506-202, 506-204, 506-205, 506-207, 506-208)
	509 Series Vernier Height Gages (509-301, 509-302, 509-313, 509-314)
900258	192 Series Digimatic Height Gages (192-630, 192-631, 192-632, 192-633)
	570 Series Digimatic Height Gages (570-312, 570-313, 570-314)
	192 Series Dial Height Gages (192-140, 192-141, 192-142, 192-143)
	574 Series Heightmatic (574-212-1, 574-211-1, 574-210-1)
905201	192 Series Digimatic Height Gages (192-670, 192-671, 192-672, 192-673)
	570 Series Digimatic Height Gages (570-248)

Dimensions



HEIGHT GAGES



Accessories for Height Gages

Depth Gage Attachment



FEATURES

- Attached to a height gage to measure groove and hole depth.
- Minimum hole diameter: 5.5mm
- Maximum distance from the bottom of the holding bar to the contact point: 80mm (900764) or 2.95" (900878)
- Contact points for dial indicators can be used.

Dimensions of Holding Bar

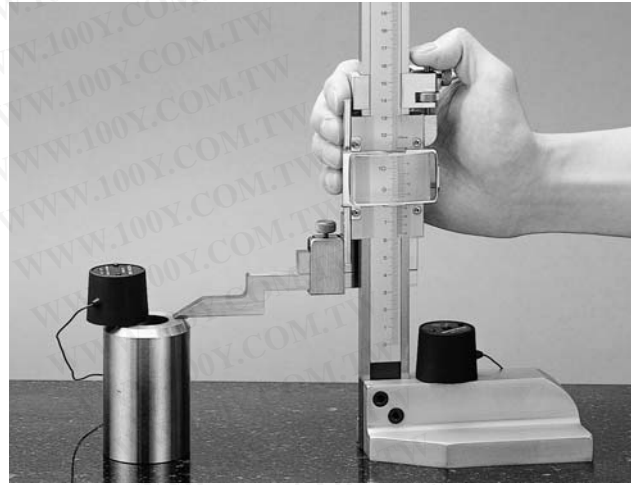
Unit: mm

Order No.	a	b
900764	9	9
900878	6.35	12.7

SPECIFICATIONS

Order No.	Remarks
900764	with Metric (Metric/Inch) type holding bar
900878	with Inch (Inch/Metric) type holding bar

Contact Sensor



FEATURES

- The Contact Sensor eliminates errors caused by jacking-up the height gage while taking measurements. When the scriber of a height gage touches a conductive workpiece, an indicator will light up to indicate that measurement can be taken, which will result in consistent height measurements.
- Incorporates magnets for easy attachment.
- Measurements should be taken on a granite surface plate or other non-conductive surface.

SPECIFICATIONS

Order No.	Remarks
900872	Two MR44 batteries are optional.

Center Probe



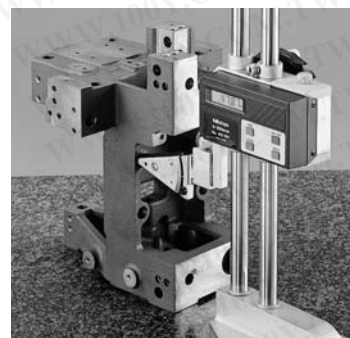
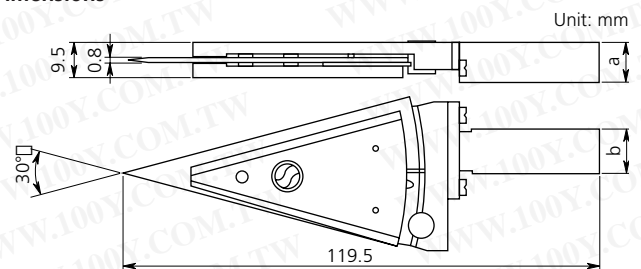
FEATURES

- Allows quick measurement of center-to-center distance between holes.
- Measurable hole diameters: 1mm to 38mm

SPECIFICATIONS

Order No.	Remarks
951144	with Metric (Metric/Inch) type holding bar
900581	with Inch (Inch/Metric) type holding bar

Dimensions



Order No.	a	b
951144	9	9
900581	6.35	12.7