

Digimatic Indicators

Comparison measuring instruments which ensure high quality, high accuracy and reliability.

ABSOLUTE Digimatic Indicator ID-U SERIES 575 — Slim and Economical Design

- General purpose indicator with the measuring range of 25.4 mm/1 inch.
- Cost-effective and user-friendly type which is equipped with only the basic functions necessary.
- The ABS (absolute) scale restores the last origin position*¹ automatically when the indicator is turned on, and realizes high reliability by eliminating over-speed errors.
- Battery life of 20,000 hours in continuous use has been achieved.
- Easy-to-read large LCD readout with a character height of 8 mm.
- Equipped with a data output port that enables incorporation into measurement networking and statistical process control systems (refer to page A-3).

*¹ Regarding origin setting, refer to "Origin Setting of Digimatic Indicators" on page F-25.

MeasurLink[®] ENABLED

Data Management Software by Mitutoyo

General-purpose type



575-121

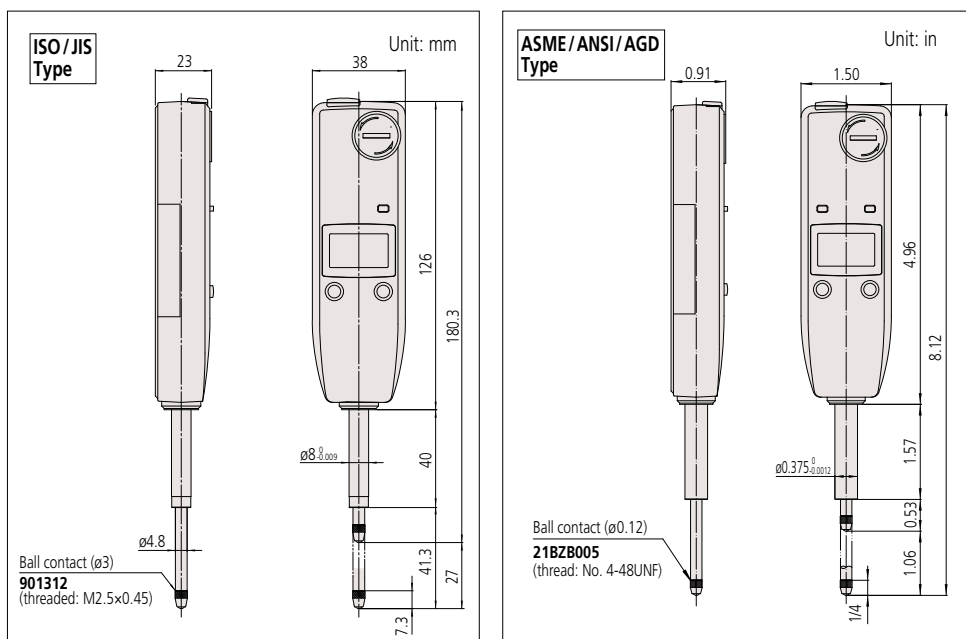
SPECIFICATIONS

Metric		<input type="checkbox"/> ISO/JIS type <input type="checkbox"/> ASME/ANSI/AGD type			
Order No. (w/lug, flat-back)	Range (mm)	Resolution (mm)	Accuracy* ² (mm)	Measuring force (N)	
— 575-121	25.4	0.01	0.02	1.8 or less	

Inch / Metric		<input type="checkbox"/> ISO/JIS type <input type="checkbox"/> ASME/ANSI/AGD type			
Order No. (w/lug, flat-back)	Range	Resolution	Accuracy* ²	Measuring force (N)	
— 575-122	1 in/25.4 mm	0.0005 in/0.01 mm	0.001 in/0.02 mm	1.8 or less	
— 575-123					

*² Quantizing error of ±1 count is excluded

DIMENSIONS



Products equipped with the measurement data output function can be connected to the measurement data network system MeasurLink (refer to page A-5 for details).

ABSOLUTE™

Technical Data

- Display: 5-digit LCD, sign
 - Battery: SR44 (1 pc.), **938882** for initial operational checks (standard accessory)
 - Battery life: Approx. 20,000 hours of continuous use. Approx. 5 years under normal use.
- Note: It varies depending on use frequency and method. Please take the values as rough indications.
- Lifting lever: **137693**

Function

- Origin set (Zero-setting)
- Direction switching
- Data output
- Low battery voltage alarm display
- Error alarm display

Optional Accessories

- Spindle lifting cable (stroke: 10 mm): **540774**
- Contact points for Mitutoyo's dial indicators (Refer to pages F-57 to F-60 for details.)
- SPC Cable: **905338** (1 m) **905409** (2 m)
- USB Input Tool Direct (2 m): **06AFM380F**
Note: Please separately purchase **USB-ITPAK** since there is no data output switch on the measurement instrument.
Refer to pages A-13, A-20 to A-22 for details.
- Input Tool Series **IT-016U** (USB Keyboard Signal Conversion Type): **264-016-10** **IT-007R** (RS-232C Communication Conversion Type): **264-007**
Refer to page F-66 for details.
- Connecting Cables for **U-WAVE-T** (160 mm): **02AZD790F**
For foot switch: **02AZE140F**
Refer to page F-66 for details.
- Digimatic Mini-Processor **DP-1VA LOGGER**: **264-505**
- Measuring stands (Refer to pages F-84 to F-92 for details.)

勝特力電材超市-龍山店 886-3-5773766
 勝特力電材超市-光復店 886-3-5729570
 勝特力电子(上海) 86-21-34970699
 勝特力电子(深圳) 86-755-83298787
<http://www.100y.com.tw>