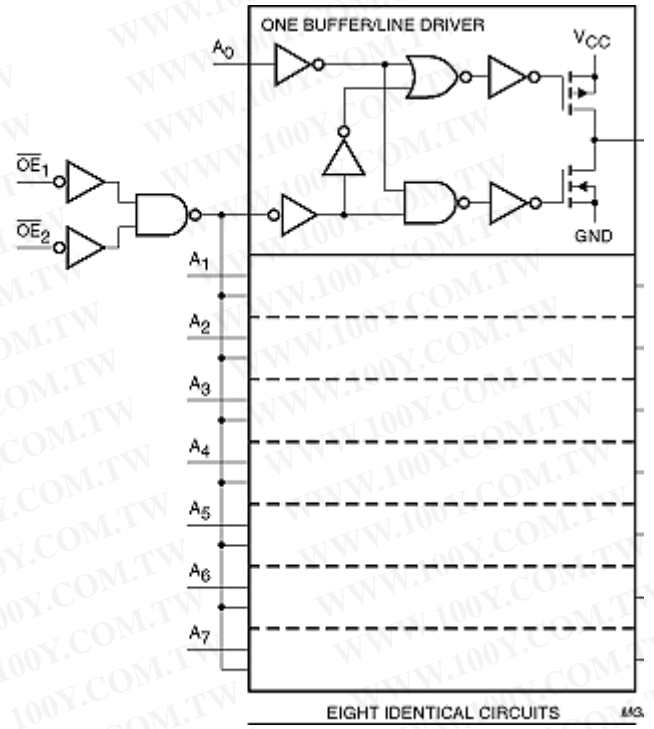


Blockdiagram(s)

勝特力材料 886-3-5753170  
 勝特力电子(上海) 86-21-54151736  
 勝特力电子(深圳) 86-755-83298787  
 Http://www.100y.com.tw



PARAMETRICS

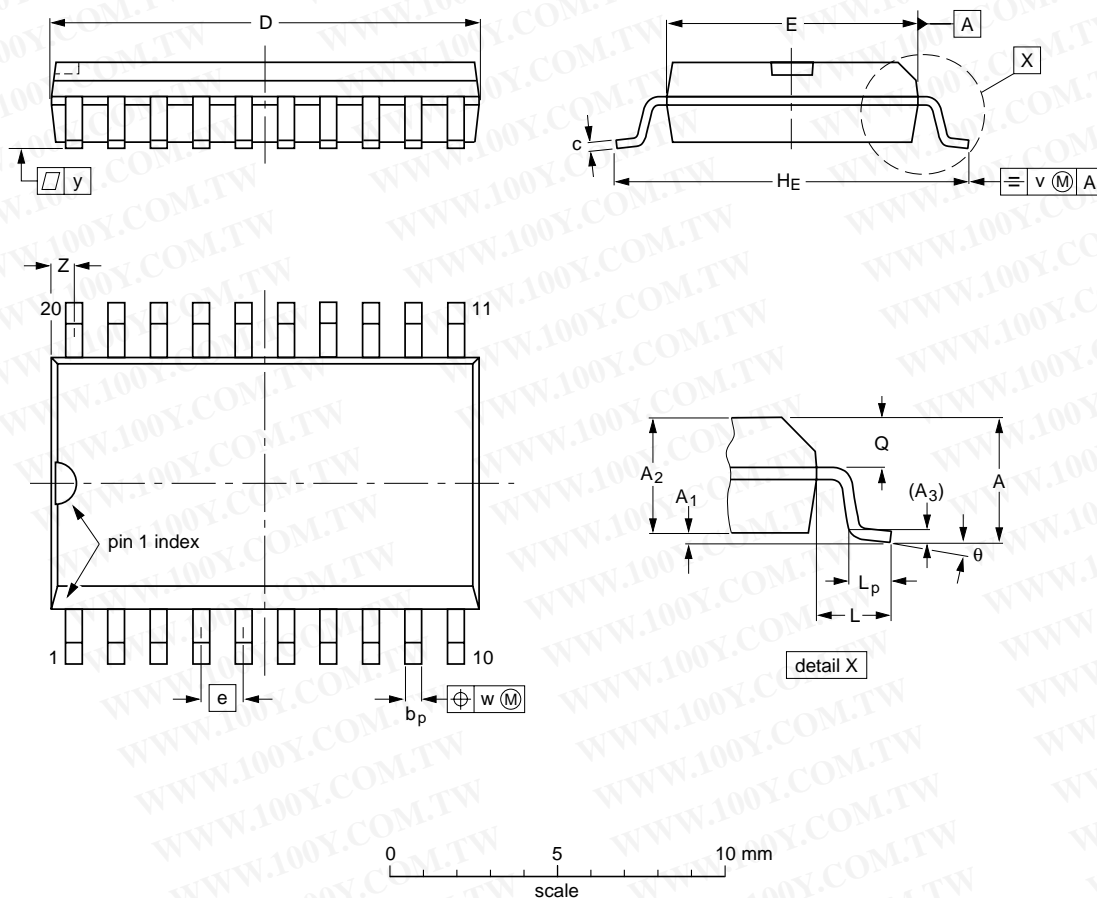
Type number	Package	Description	Propagation Delay(ns)	Voltage	No. of Pins	Power Dissipation Consider:
74HC541D	SOT163-1 (SO20)	Octal Buffer/Line Driver; Non-Inverting (3-State)	10@5V	2.0-6.0 V	20	Low Power Battery Applicator
74HC541DB	SOT339-1 (SSOP20)	Octal Buffer/Line Driver; Non-Inverting (3-State)	10@5V	2.0-6.0 V	20	Low Power Battery Applicator
74HC541N	SOT146-1 (DIP20)	Octal Buffer/Line Driver; Non-Inverting (3-State)	10@5V	2.0-6.0 V	20	Low Power Battery Applicator
74HC541PW	SOT360-1 (TSSOP20)	Octal Buffer/Line Driver; Non-Inverting (3-State)	10@5V	2.0-6.0 V	20	Low Power Battery Applicator
74HCT541D	SOT163-1 (SO20)	Octal Buffer/Line	12	4.5-5.5 V	20	Low Power

Philips Semiconductors

Package outline

SO20: plastic small outline package; 20 leads; body width 7.5 mm

SOT163-1



DIMENSIONS (inch dimensions are derived from the original mm dimensions)

UNIT	A max.	A <sub>1</sub>	A <sub>2</sub>	A <sub>3</sub>	b <sub>p</sub>	c	D <sup>(1)</sup>	E <sup>(1)</sup>	e	H <sub>E</sub>	L	L <sub>p</sub>	Q	v	w	y	z <sup>(1)</sup>	θ
mm	2.65	0.3 0.1	2.45 2.25	0.25	0.49 0.36	0.32 0.23	13.0 12.6	7.6 7.4	1.27	10.65 10.00	1.4	1.1 0.4	1.1 1.0	0.25	0.25	0.1	0.9 0.4	8° 0°
inches	0.1	0.012 0.004	0.096 0.089	0.01	0.019 0.014	0.013 0.009	0.51 0.49	0.30 0.29	0.05	0.419 0.394	0.055	0.043 0.016	0.043 0.039	0.01	0.01	0.004	0.035 0.016	

Note

1. Plastic or metal protrusions of 0.15 mm (0.006 inch) maximum per side are not included.

OUTLINE VERSION	REFERENCES			EUROPEAN PROJECTION	ISSUE DATE
	IEC	JEDEC	JEITA		
SOT163-1	075E04	MS-013			99-12-27 03-02-19