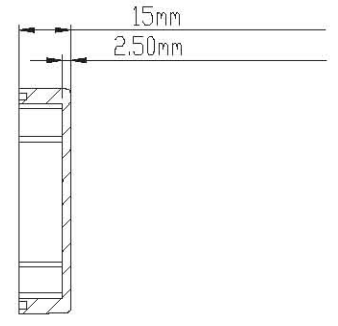
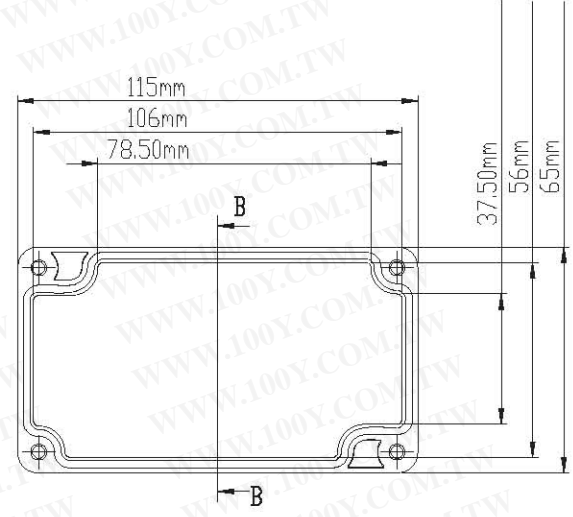
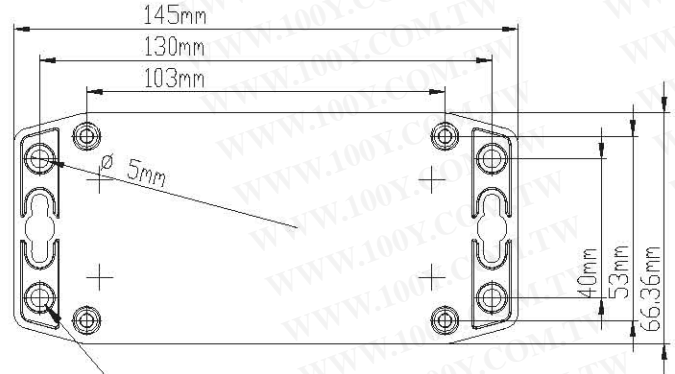


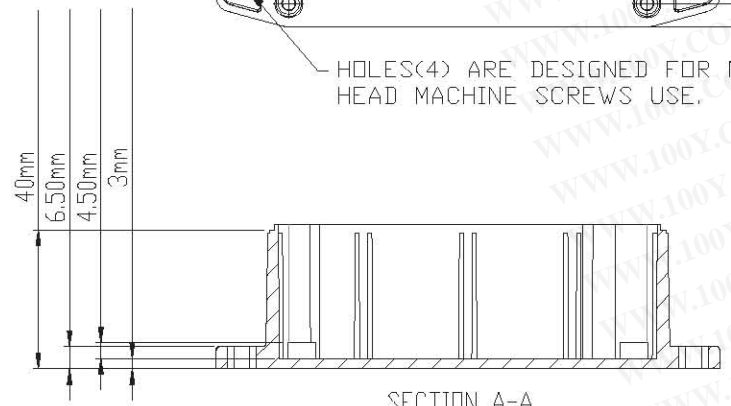
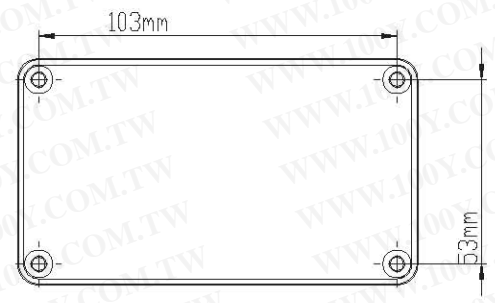
HOLES(4) ARE DESIGNED FOR M3X4mm SELF-TAPPING SCREWS USE.  
 Four(4) M4X20mm PAN HEAD SCREWS.



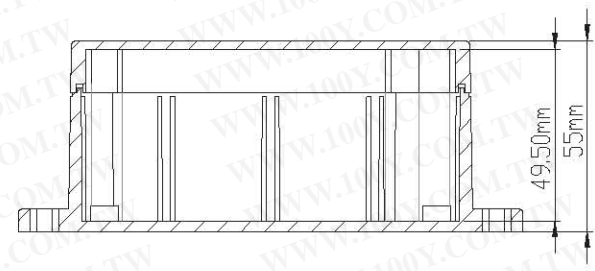
SECTION B-B  
SCALE 2 : 3



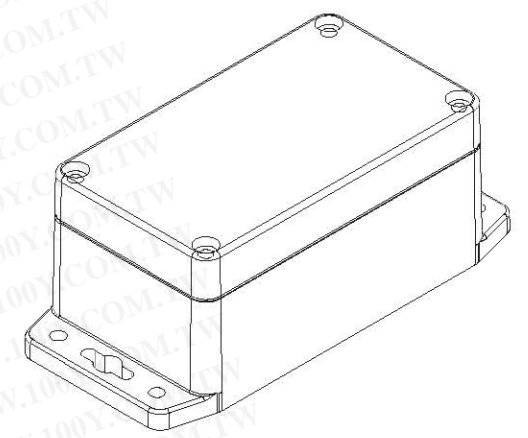
HOLES(4) ARE DESIGNED FOR M4 PAN HEAD MACHINE SCREWS USE.



SECTION A-A  
SCALE 2 : 3



**勝特力材料 886-3-5753170**  
**勝特力电子(上海) 86-21-34970699**  
**勝特力电子(深圳) 86-755-83298787**  
[Http://www.100y.com.tw](http://www.100y.com.tw)



TOLERANCES:  $\pm 0.30$  mm ( $\pm 0.012$ in)

繪圖	DRA'D BY	日期	DATE	材質	MATE.	圖名TITLE:	圖號DWG NO:	版次REVISID:
		2010/11/8		PC ; ABS		G205MF ; G308MF		A