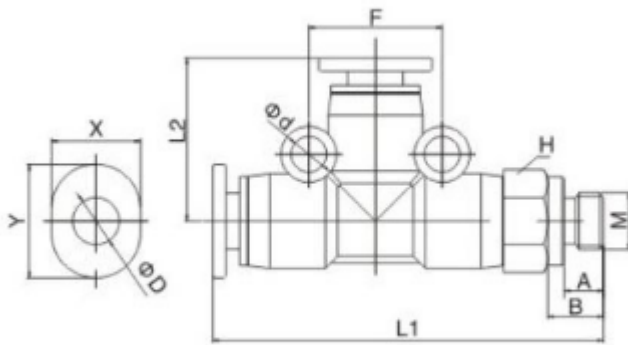


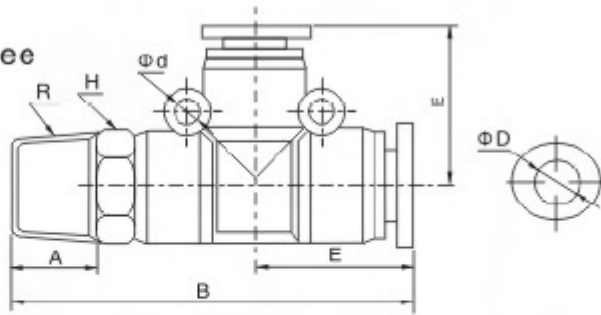
— 帶 C 代 表 微 型



产品规格

公制插管	$\Phi D$	A	B	H	M	X	Y	$\Phi d$	F	L1	L2
SPD3-M5C	3	3.5	5	8	M5	8	10	3.2	12	35	14
SPD4-M5C	4	3.5	5	8	M5	8	10	3.2	12	35	14
SPD5-M5C	5	3.5	5	10	M5	10	12	3.2	14	38	15.5
SPD6-M5C	6	3.5	5	10	M5	10	12	3.2	14	38	15.5

SPD 系列—螺纹侧三通  
SPD Series—Male Run Tee



注：上图为老款，新款无安装孔，下单时请注明。

Note: Picture above is old version, the new version is without mounting hole, please note when place order.

英制插管 Inch Pipe	公制插管 Metric Pipe	Φd	R	A	B	E	H	Φd
SPD5/32-M5	SPD4-M5	4	M5	3.5	43	18.5	10	/
SPD5/32-01	SPD4-01	4	PT1/8	7	44	18.5	10	/
SPD5/32-02	SPD4-02	4	PT1/4	9	47	18.5	14	/
SPD1/4-M5	SPD6-M5	6	M5	3.5	47	20.5	12	3.5
SPD1/4-01	SPD6-01	6	PT1/8	7	48	20.5	12	3.5
SPD1/4-02	SPD6-02	6	PT1/4	9	49.5	20.5	14	3.5
SPD1/4-03	SPD6-03	6	PT3/8	10	51.4	20.5	17	3.5
SPD1/4-04	SPD6-04	6	PT1/2	11	52.5	20.5	21	3.5
SPD5/16-01	SPD8-01	8	PT1/8	8	54	23	14	4.5
SPD5/16-02	SPD8-02	8	PT1/4	10	56	23	14	4.5
SPD5/16-03	SPD8-03	8	PT3/8	10	56	23	17	4.5
SPD5/16-04	SPD8-04	8	PT1/2	11	58	23	21	4.5
SPD3/8-01	SPD10-01	10	PT1/8	8	64	28.5	17	4
SPD3/8-02	SPD10-02	10	PT1/4	10	66	28.5	17	4
SPD3/8-03	SPD10-03	10	PT3/8	10	66.5	28.5	17	4
SPD3/8-04	SPD10-04	10	PT1/2	11	67.5	28.5	21	4
SPD1/2-01	SPD12-01	12	PT1/8	8	58	29.5	19	4.5
SPD1/2-02	SPD12-02	12	PT1/4	10.5	69	29.5	19	4.5
SPD1/2-03	SPD12-03	12	PT3/8	10.5	69	29.5	19	4.5
SPD1/2-04	SPD12-04	12	PT1/2	11	70.5	29.5	21	4.5