

Economy Types



勝特力材料 886-3-5753170
 勝特力电子(上海) 86-21-34970699
 勝特力电子(深圳) 86-755-83298787
[Http://www.100y.com.tw](http://www.100y.com.tw)

- Replacement for type RIS and RI 31
- The economical encoder for small appliances
- High efficiency by means of ball bearing
- Small torque
- Application e.g.
 - laboratory equipment
 - training equipment
 - crimping machines
 - tampon printing machines
 - miniature grinding machines

NUMBER OF PULSES

5 / 10 / 20 / 25 / 30 / 50 / 60 / 100 / 120 / 128 / 200 / 250 / 256 / 288 / 300 / 360 / 400 /
 500 / 512 / 600 / 720 / 900 / 1000 / 1024 / 1250 / 1500
 Other number of pulses on request

TECHNICAL DATA
mechanical

Shaft diameter	5 mm/ 6 mm
Absolute max. shaft load	radial 10 N, axial 5 N
Absolute max. speed	6 000 min ⁻¹
Torque	≤ 0.05 Ncm
Protection class (EN 60529)	Housing IP50, bearings IP40
Operating temperature	-10 ... +60 °C
Storage temperature	-25 ... +85 °C
Vibration resistance (IEC 68-2-6)	100 m/s ² (10 ... 2000 Hz)
Shock resistance (IEC 68-2-27)	1000 m/s ² (6 ms)
Connection	1.5 m cable axial/radial ¹
Material	Housing: plastic; Flange: Aluminium
Flange	Pilot flange
Weight approx.	50 g

¹ Other cable length on request

TECHNICAL DATA
electrical

General design	as per DIN VDE 0160, protection class III, contamination level 2, over voltage class II	
Supply voltage (SELV)	with push-pull (D):	DC 5V ±10 %
	with push-pull (K):	DC 5V ¹ ±10 % oder DC 10 - 30V ²
Max. current w/o load	40 mA (DC 5V), 60 mA (DC 10V), 30 mA (DC 24V)	
Standard output versions ³	push-pull (K, D):	A, B, N, Alarm

² Pole protection

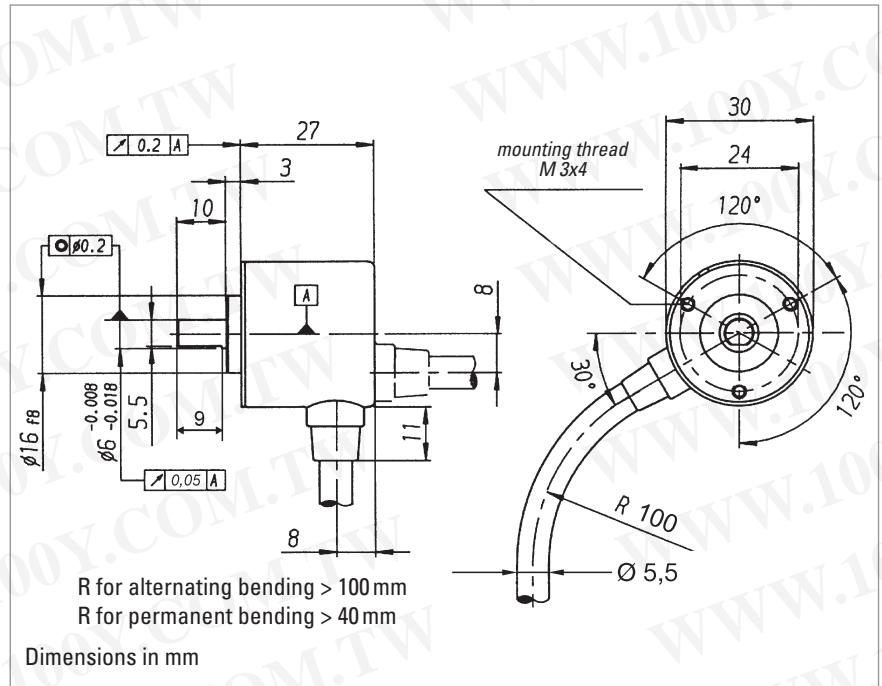
³ Output description and technical data see chapter "Technical basics"

Incremental Shaft Encoders Type RI 32

Economy Types

DIMENSIONAL DRAWINGS

勝特力材料 886-3-5753170
 勝特力电子(上海) 86-21-34970699
 勝特力电子(深圳) 86-755-83298787
[Http://www.100y.com.tw](http://www.100y.com.tw)



PIN ASSIGNMENT

Description (push-pull)	Lead \varnothing mm ²	Colour
DC 5 V / 10 - 30 V	0.5	red
Channel A	0.14	white
Channel B	0.14	green
Channel N	0.14	yellow
GND	0.5	black
Alarm	0.14	yellow/black

ORDERING INFORMATION

Type	Model	Number of pulses	Supply voltage	Flange, Protection, Shaft	Output	Connection
□	□	□	□	□	□	□
RI32-	0 Standard	5 ... 1 500	A DC 5 V E DC 10 - 30 V ¹	R.11 Pilot, IP40, 6 mm * R.14 Pilot, IP40, 5 mm **	K push-pull ² short circuit proof D push-pull DC 5 V, ±30 mA	A Cable axial B Cable radial
<p>* flattened, see dimensional drawing ** not flattened ¹ only with output K ² ±10 mA at DC 5 V, ±30 mA at DC 10 - 30 V</p>						