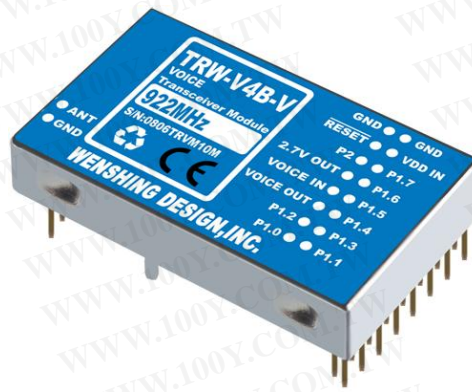


# TRW-V4B-V

WENSHING®

V1.03

## Wireless Voice Transceiver RF Module (ISM Band System)



### ➤ Key Features :

- ▶ UHF Wireless Data Transceiver
- ▶ RF Output Power up to 10mW
- ▶ Sensitivity up to -112dBm
- ▶ Low Power Consumption
- ▶ Voltage Supply 3.5V to 5.5V
- ▶ SPI Micro-Controller Interface
- ▶ Transceiver Data Rate: 1.2Kbps~250Kbps

勝特力材料 886-3-5753170  
勝特力电子(上海) 86-21-54151736  
勝特力电子(深圳) 86-755-83298787  
[Http://www.100y.com.tw](http://www.100y.com.tw)

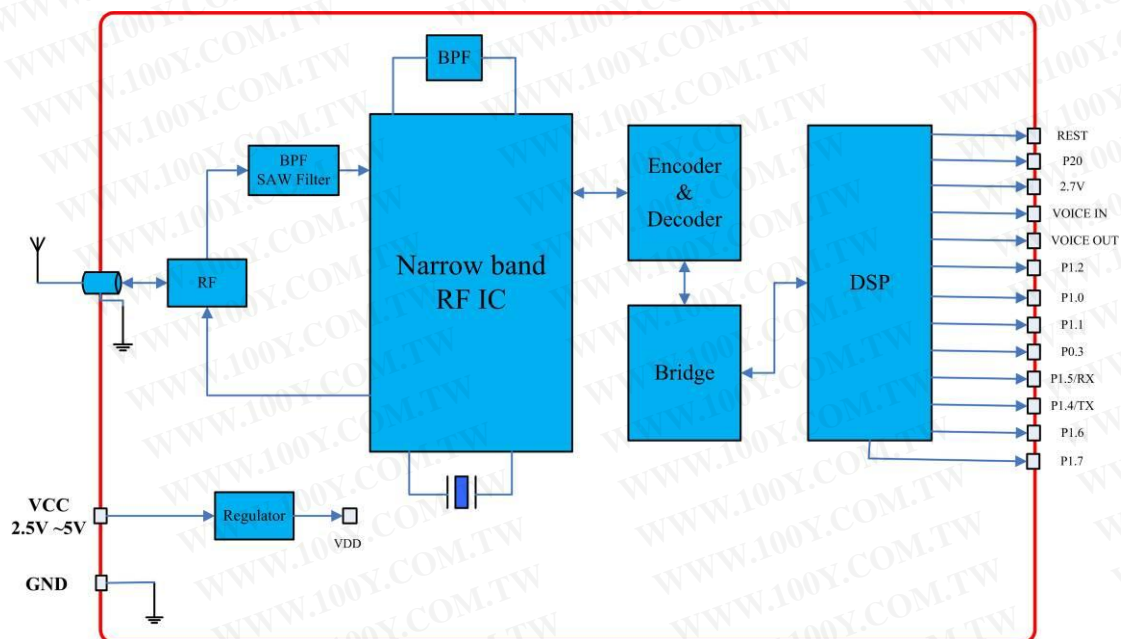
### ➤ Applications :

- ▶ Wireless Phone
- ▶ Wireless Audio
- ▶ Wireless Door Bell
- ▶ Wireless Microphone

## ➤ Characteristics :

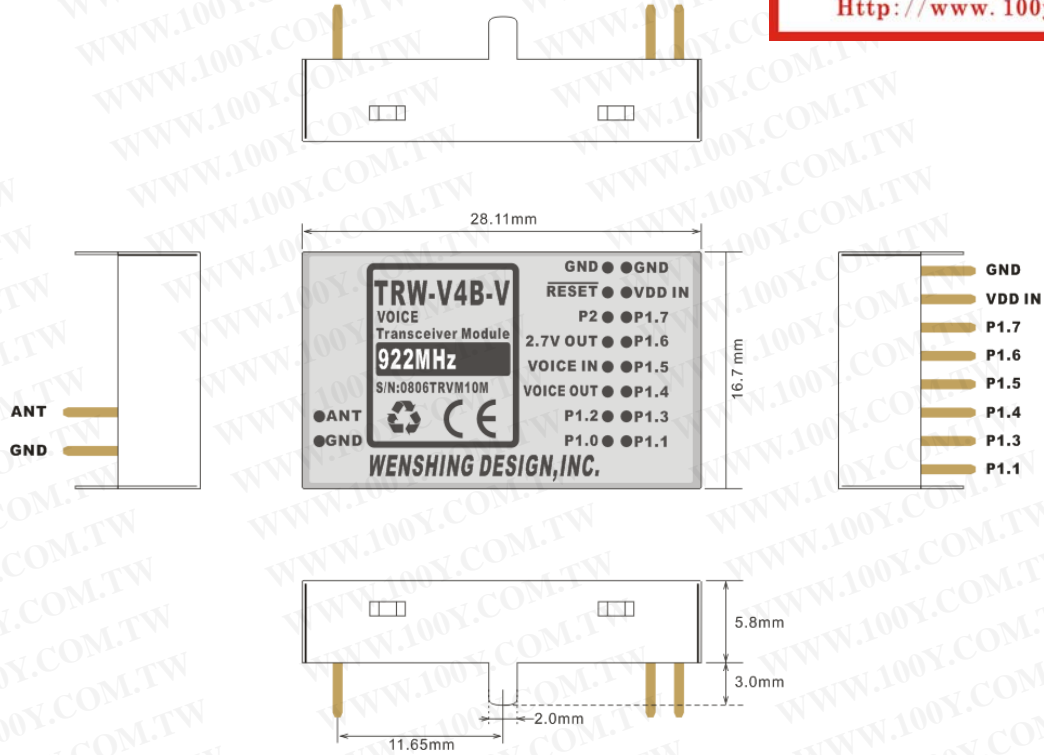
Parameter	Min	Type	Max	Unit	Condition
<b>Operating Conditions</b>					
Operating Temperature range	-40		+85	°C	
Operating Supply Voltage	3.5		5.5	V	
<b>Current Consumption</b>					
Rx Mode			21	mA	
Tx Mode			24	mA	Vcc 5V
Sleep Mode			2	mA	Vcc 5V
<b>RF Charcteristics</b>					
Frequency Range		922		MHz	
Data Rate	1.2		250	Kbps	FSK
Tx Output Power	0		10	dBm	
Rx sensitivity			-112	dBm	
Modulation	FSK		MSK		
<b>Other</b>					
FIFO			64	byte	
ESD			500	V	
Module Distances	28.11 x 16.7 x 9.66			mm	

## ➤ Block Diagram:

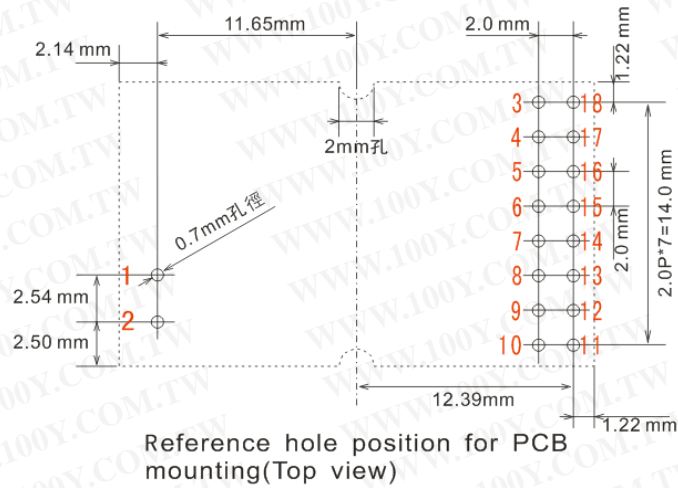


➤ **View:**

勝特力材料 886-3-5753170  
 勝特力电子(上海) 86-21-54151736  
 勝特力电子(深圳) 86-755-83298787  
[Http://www.100y.com.tw](http://www.100y.com.tw)



➤ **Pin Assignment:**

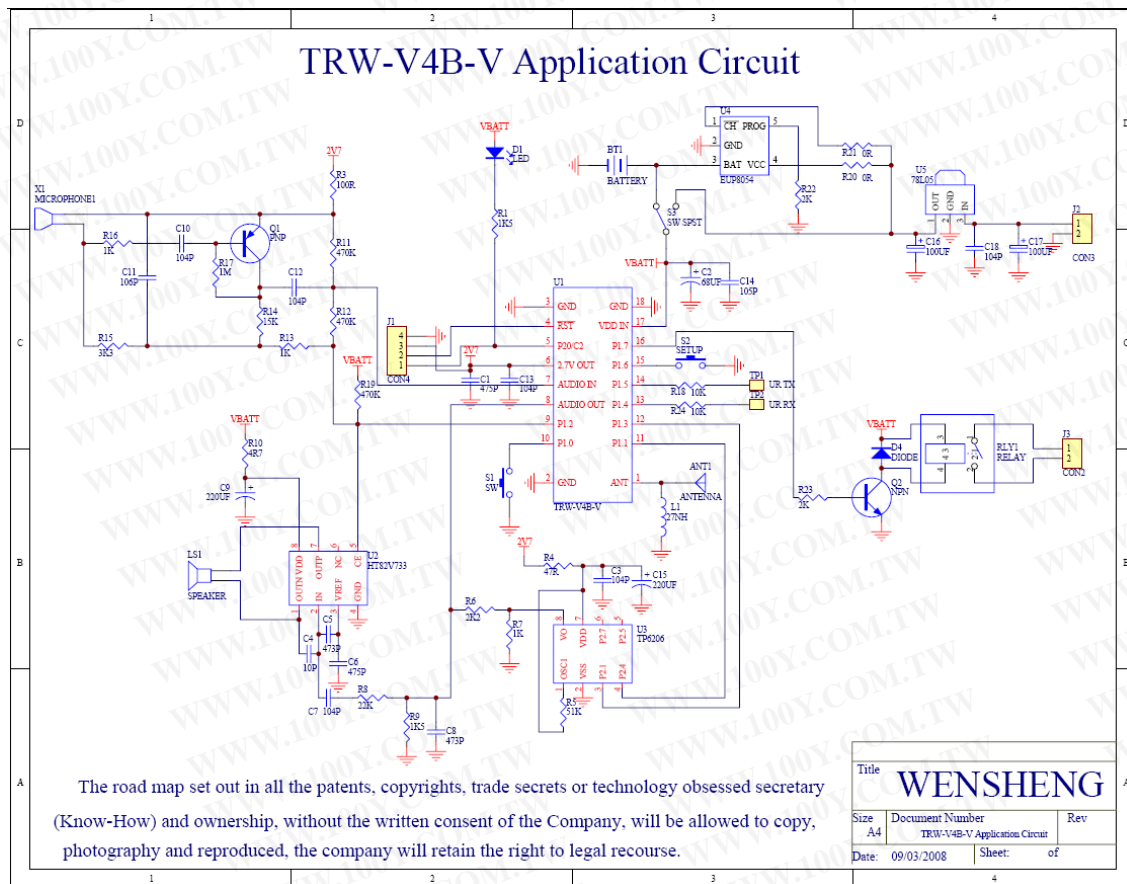


Reference hole position for PCB mounting(Top view)

3 GND	18 GND
4 RESET	17 VDD IN
5 P2	16 P1.7
6 2.7V OUT	15 P1.6
7 VOICE IN	14 P1.5
8 VOICE OUT	13 P1.4
9 P1.2	12 P1.3
10 P1.0	11 P1.1
1 ANT	
2 GND	

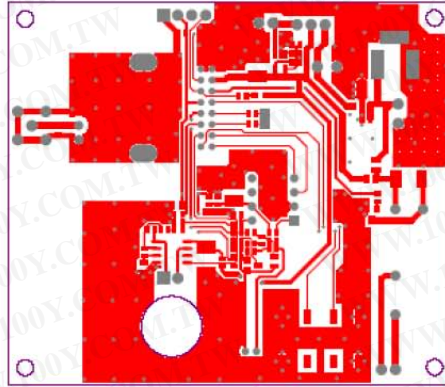
Pin	Function	I/O	Description
1	ANT	ANT	Antenna
2	GND	P	Ground
3	GND	P	Ground
4	RESET	O	Lo Trigger
5	P2	O	LED indicates
6	2.7V OUT	P	Power output
7	VOICE IN	I	Audio in
8	VOICE OUT	O	Audio out
9	P1.2	O	Control Pin
10	P1.0	O	Connect Button
11	P1.1	N	
12	P1.3	N	
13	P1.4	I	UART RX
14	P1.5	O	UART TX
15	P1.6	O	Call Button
16	P1.7	O	LED indicates
17	VDD IN	P	Power input
18	GND	P	Ground

### ➤ Application Circuit:

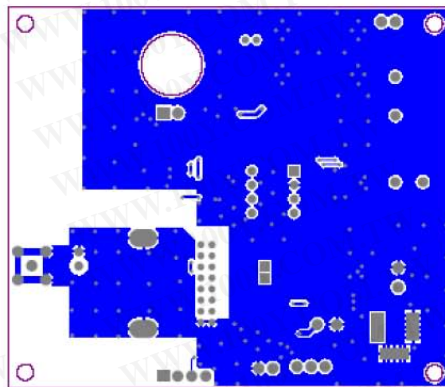


勝特力材料 886-3-5753170  
勝特力电子(上海) 86-21-54151736  
勝特力电子(深圳) 86-755-83298787  
[Http://www.100y.com.tw](http://www.100y.com.tw)

## TOP



## BOTTOM



Scaling 1:1