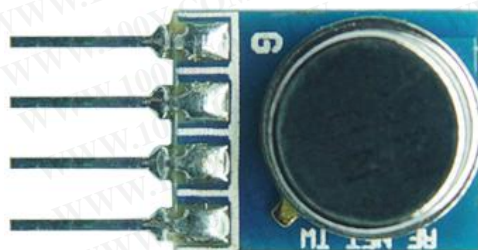


TWS-DS Series

WENSHING®

V1.02

Wireless Transmitter Module Series (RF ASK)



勝特力材料 886-3-5753170
勝特力电子(上海) 86-21-54151736
勝特力电子(深圳) 86-755-83298787
[Http://www.100y.com.tw](http://www.100y.com.tw)

➤ Model : TWS-DS-3(433.92MHz)

*Frequency Range: 433.92 MHz

*Modulate Mode: ASK

*Circuit Shape: SAW

*Data Rate: 8Kbps

*Supply Voltage: 1.5~12V

*Electric Current: 23mA (5V) ; 40mA (9V) ; 53mA (12V)

*Power: 10dBm (5V) ; 14.5dBm (9V) ; 16.6dBm (12V)

*Working temperature: -40 ~ +85°C

*Solder temperature: 230°C(10 seconds)

*High sensitivity is designed

➤ **Absolute Maximum Ratings:**

Rating	Value	Unit
Power Supply and All Input/Output Pins	-0.3 ~ +12.0	V
Non-Operating Case Temperature	-40 ~ +85	°C
Soldering Temperature(10 seconds)	230	°C

➤ **Electrical Characteristics, T=25°C , Vcc=3.6V, Fre=433.92MHz:**

Characteristic	Sym	Min	Typ	Max	Unit
Operating Frequency (±300KHz)	VCC		433.92		MHz
Data Rate	ASK			8	Kbps
Transmitter Performance(OOK@2.4Kbps)					
Peak Input Current,12 Vdc Supply	ITP			53	mA
Peak Output Power (16.6dBm)	PO		10	40	mW
Tum On/ Tum Off Time	T ON/T OFF			40	US
Power Supply Voltage Range	VCC	1.5		12	VDC
Operating Ambient Temperature	TA	-40		+85	°C
Tx Antenna Out (3V) +2.4dBm	VCC				mA

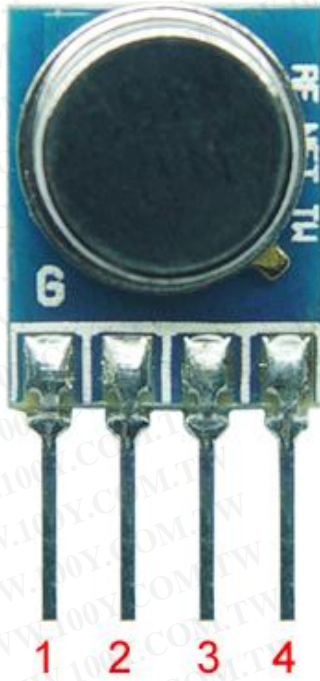
➤ **Size:**



勝特力材料 886-3-5753170
 勝特力电子(上海) 86-21-54151736
 勝特力电子(深圳) 86-755-83298787
[Http://www.100y.com.tw](http://www.100y.com.tw)

➤ **Pin Assignment:**

勝特力材料 886-3-5753170
勝特力电子(上海) 86-21-54151736
勝特力电子(深圳) 86-755-83298787
[Http://www.100y.com.tw](http://www.100y.com.tw)



Pin	Function
1	GND
2	Data In
3	VCC
4	ANT

RWS-375 Series

WENSHING®

V1.07

Wireless Hi Sensitivity Receiver Module (RF ASK)



勝特力材料 886-3-5753170
勝特力电子(上海) 86-21-54151736
勝特力电子(深圳) 86-755-83298787
[Http://www.100y.com.tw](http://www.100y.com.tw)

➤ Model : RWS-375-6 (433.92MHz)

- *Frequency Range: 433.92MHz
- *Modulate Mode: ASK
- *Circuit Shape: LC
- *Data Rate: 4800bps
- *Selectivity: -108dBm
- *Channel Spacing: ± 500 KHz
- *Supply Voltage: 5V
- * High Sensitivity Passive Design.
- *Simple To Apply with Low External Count.

➤ Electrical Characteristics :

Characteristics	Sym	Min	Typ	Max	Unit
Operating Radio Frequency	FC	433.42	433.92	434.42	MHz
Sensitivity	Pref	-106	-108	-110	dBm
Channel Width		-500		+ 500	KHz
Noise Equivalent BW	NEB		5	4	
Baseboard Data Rate				3	KB/S
Receiver Turn On Time				3	ms

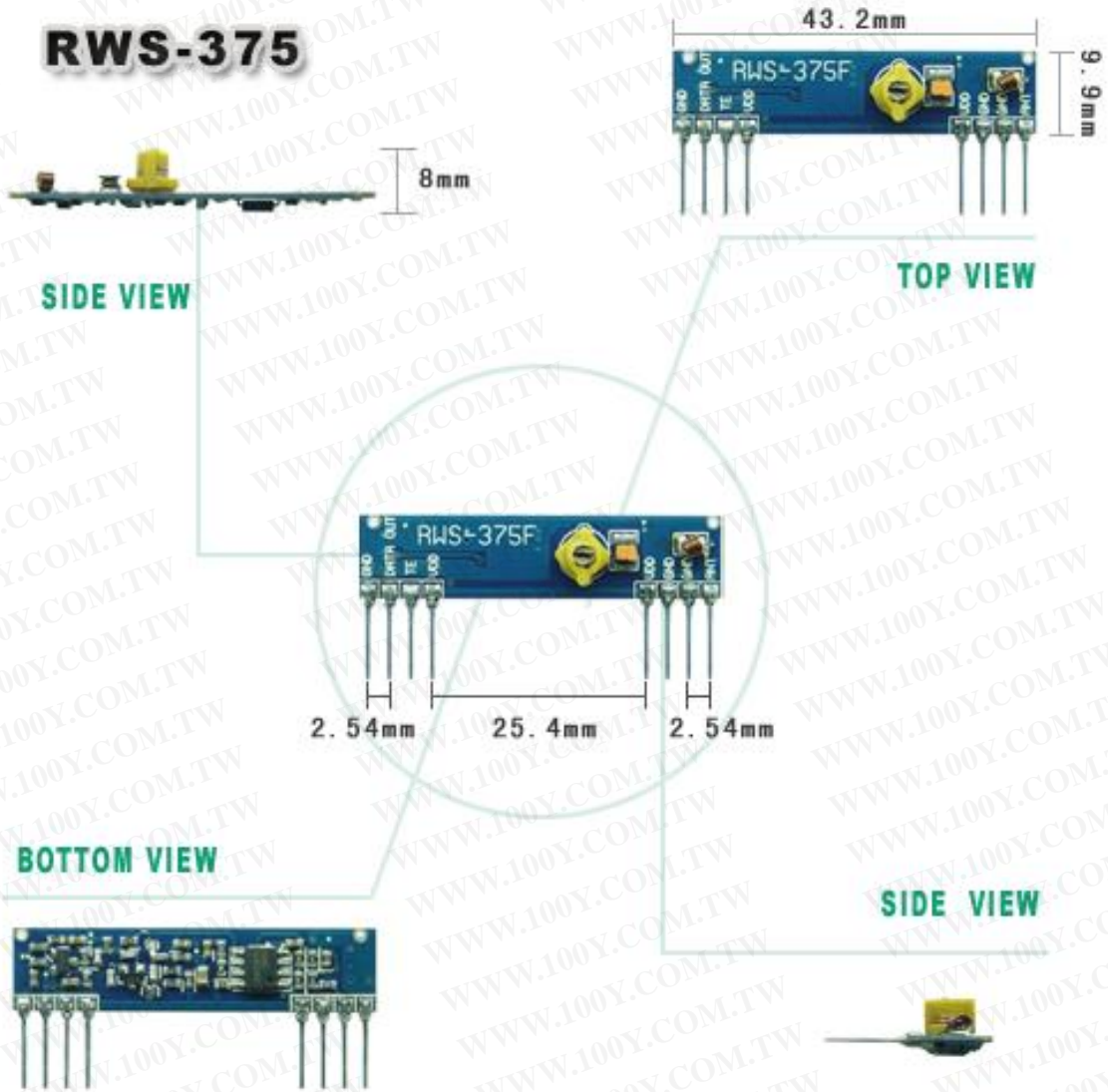
➤ DC Characteristics :

Symbol	Parameter	Conditions	Min	Typ	Max	Unit
Vcc	Operating Supply Voltage		4.9	5	5.1	
I Tot	Operating Supply Voltage			4.5		
V Data	Data Out	1 Data = -10 uA (Low)	Vcc -0.5	Vcc		V
		1 Data = -10 uA (Low)			0.3	V

勝特力材料 886-3-5753170
 勝特力电子(上海) 86-21-54151736
 勝特力电子(深圳) 86-755-83298787
[Http://www.100y.com.tw](http://www.100y.com.tw)

➤ **Size:**

RWS-375



勝特力材料 886-3-5753170
勝特力电子(上海) 86-21-54151736
勝特力电子(深圳) 86-755-83298787
[Http://www.100y.com.tw](http://www.100y.com.tw)

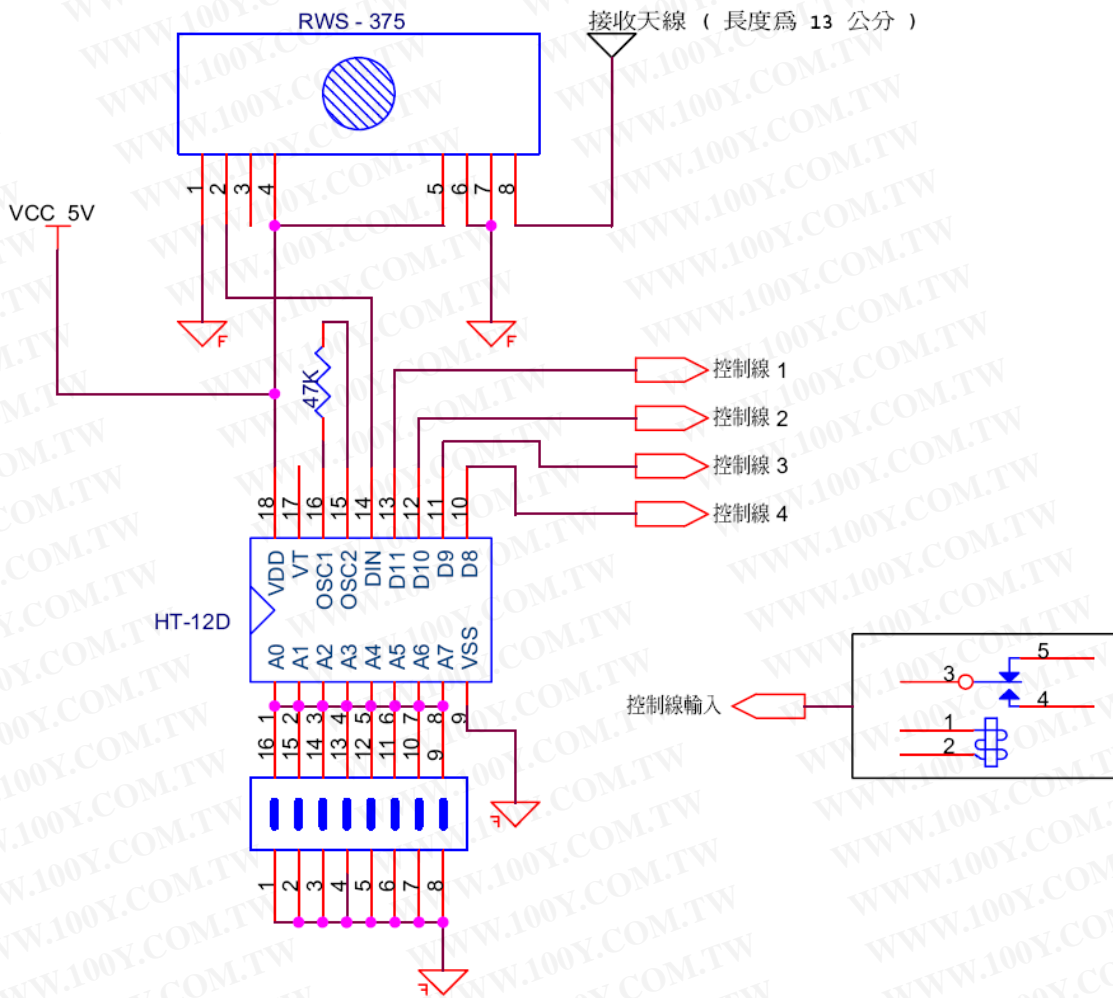
➤ Pin Assignment:



Pin	Function	Description
1	GND	
2	Digital Output	
3	Linear Out	
4	VCC	
5	VCC	
6	GND	
7	GND	
8	ANT	About 13cm

勝特力材料 86-3-5753170
 勝特力电子(上海) 86-21-54151736
 勝特力电子(深圳) 86-755-83298787
[Http://www.100y.com.tw](http://www.100y.com.tw)

➤ **Demo Circuit:**



勝特力材料 886-3-5753170
 勝特力电子(上海) 86-21-54151736
 勝特力电子(深圳) 86-755-83298787
[Http://www.100y.com.tw](http://www.100y.com.tw)

模組配對例:

發送	接收	距離
TWS-DS-3	RWS-374-6(433.92MHz)	500M
TWS-DS-3	RWS-375-6(433.92MHz)	500M



TWS-DS

Transmitter



Partnership



RWS-374

Receiver



TWS-DS

Transmitter



Partnership



RWS-375

Receiver

勝特力材料 886-3-5753170
 勝特力电子(上海) 86-21-54151736
 勝特力电子(深圳) 86-755-83298787
[Http://www.100y.com.tw](http://www.100y.com.tw)