

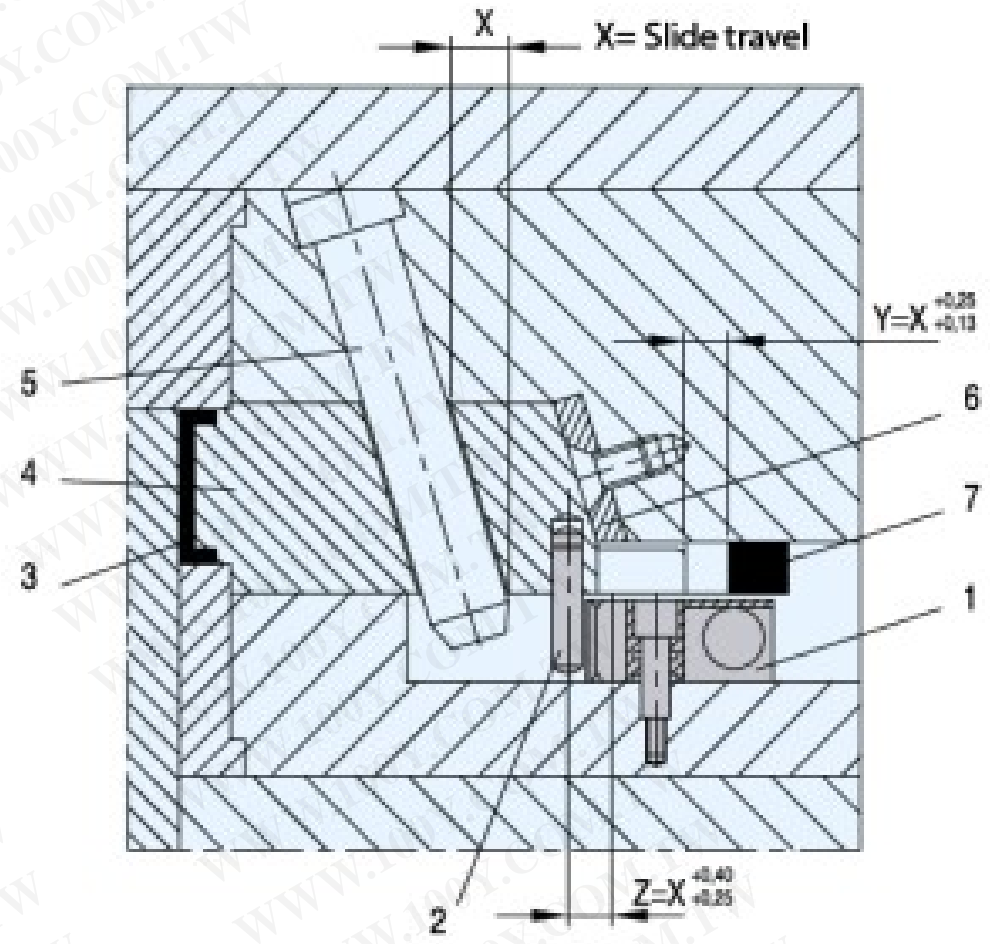


MRT

Slide retainers

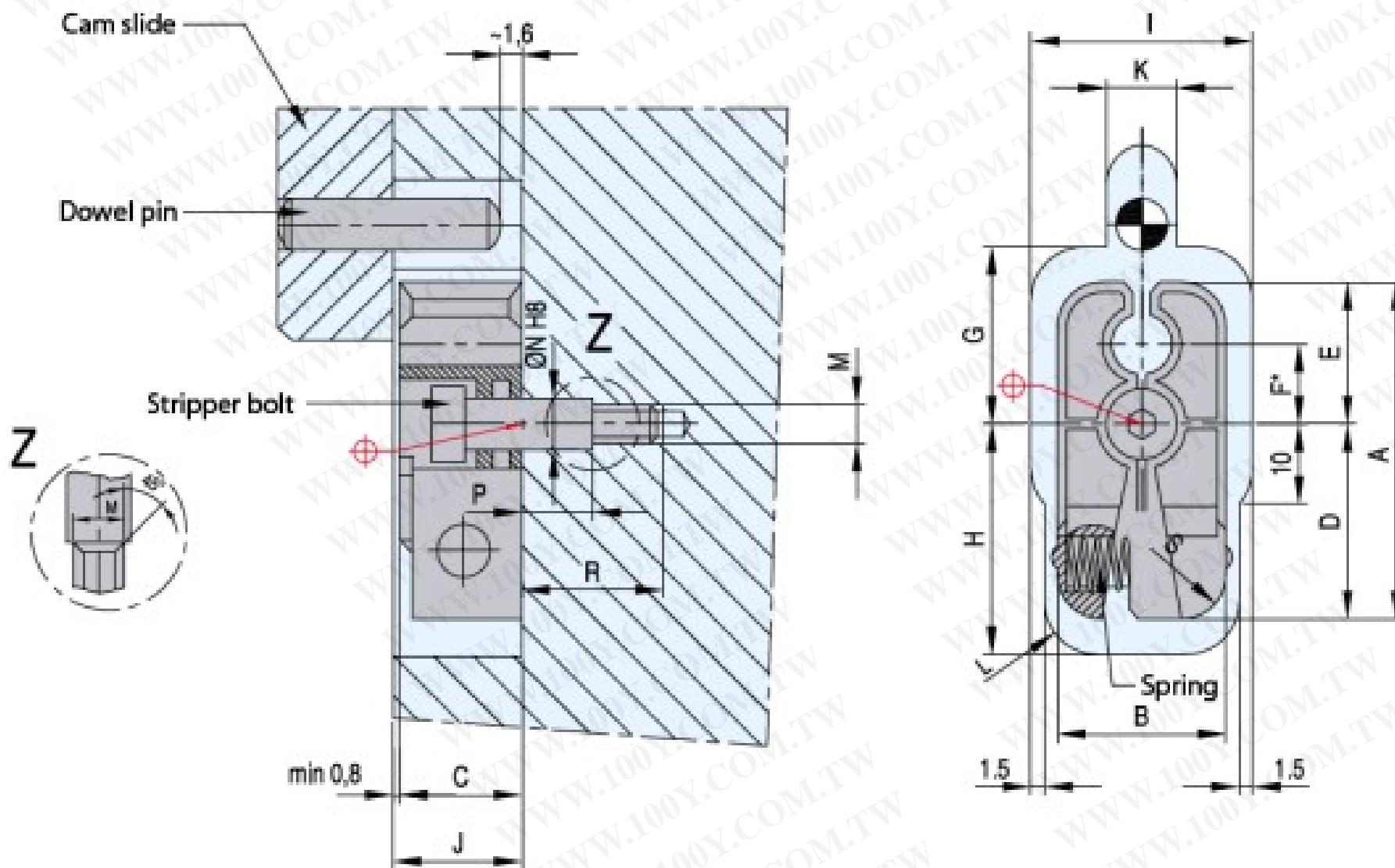


勝特力材料 886-3-5753170  
 勝特力电子(上海) 86-21-34970699  
 勝特力电子(深圳) 86-755-83298787  
[Http://www.100y.com.tw](http://www.100y.com.tw)



REF	Slide retainer							Retainer pockets in mold										Max. slide weight (kg)
	A	B	C	D	E	F*	S	G	H	I	J	K	L	M	N	P	R	
<b>MRT-10M</b>	38	19	16	22	16	9,1	5	19	26	25	17	8	8	M5	6	6	15,5	10
<b>MRT-20M</b>	54	32	20	33	21	12,7	6	24	36	36	21	10	10	M6	8	8,5	20,5	20
<b>MRT-40M</b>	86	45	30	53	53	20,3	10	36	56	56	31	12	13	M8	10	10	25,0	40

\* The distance from the center of the dowel pin to the center of the stripper bolt is critical



Replacement parts		
Dowel pin	REF	Tightening torque for stripper bolt Nm max.
DP 6-30	PM 5x16	10
DP 8-40	PM 6x20	15
DP 10-60	PM 8x30	20