

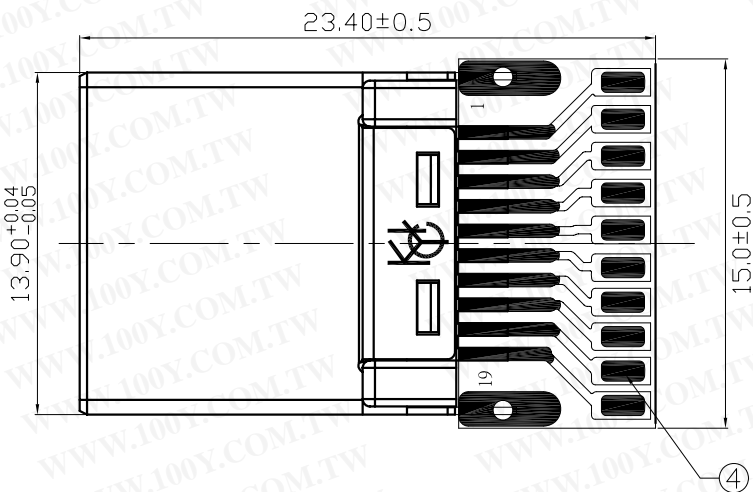
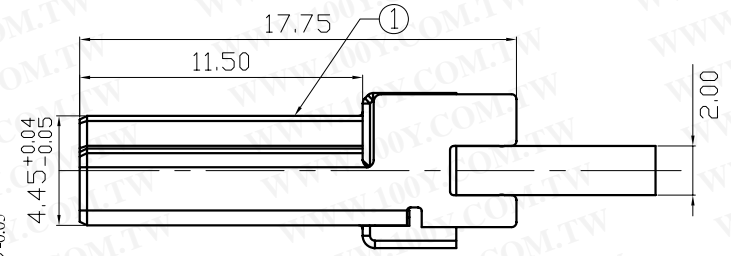
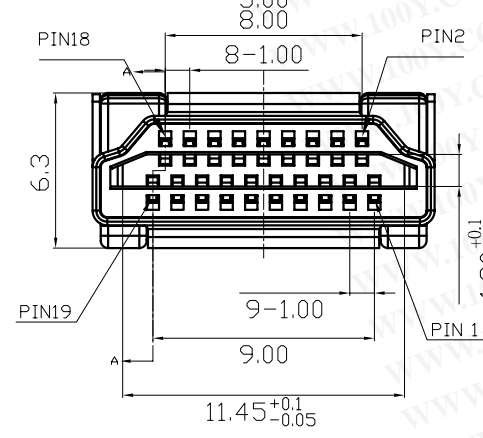
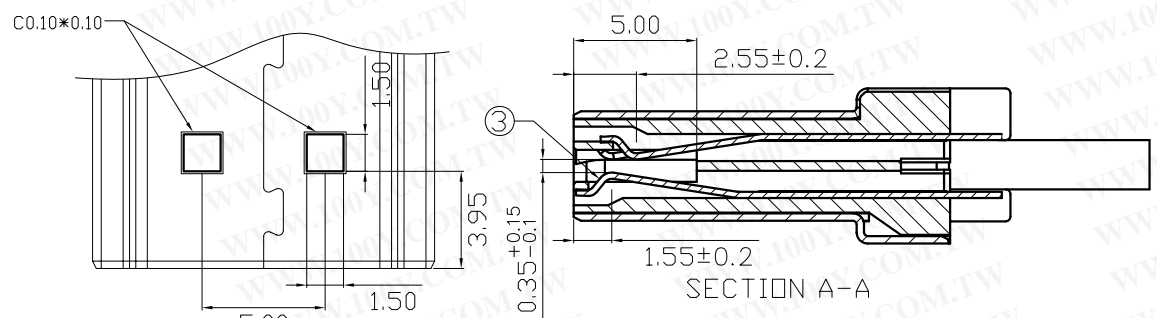
| REV | ZONE | REVISION | DATE |
|-----|------|----------|------|
| | | | |

| NO. | NAME | MATERIAL | FINISH | Q'TY | REMARK |
|-----|----------|---------------------|-----------------|------|--|
| 1 | SHELL | BRASS T:0.30 | NICKEL PLATED | 1 | Ni:80~120u" |
| 2 | BODY | LCP+GF30% | GRAY | 1 | |
| 3 | TERMINAL | PHOS. BRONZE T:0.25 | GOLD/TIN PLATED | 19 | Gold:15u"; Ni:40~60u" Tin:120~200u" |
| 4 | PCB | PCB T:2.0 | GREEN COLOR | 1 | |

Green Product

勝特力材料 886-3-5753170
 勝特力电子(上海) 86-21-54151736
 勝特力电子(深圳) 86-755-83298787
[Http://www.100y.com.tw](http://www.100y.com.tw)

- Specification:
- ❖ Contact Resistance: Unmated Plug Socket, 30m Ohm. Maximum.
Mated Plug Socket, 60m Ohm. Maximum.
 - ❖ Insulation Resistance: 100M Ohm Min. At 500 VDC.
 - ❖ Rated Voltage And Current: AC 40V,0.5A Minimum.
 - ❖ Dielectric Withstanding Voltage: 500V AC (rms) For 1 Minute.
 - ❖ Insertion Force: Type A - 44.1N Maximum.
 - ❖ Extraction Force: Type A- 9.8N Minimum,39.2N Maximum.
 - ❖ Durability: Type A- 10000 Cycles At 100±50 Cycles Per Hour.
Life Test After: Type A-Insertion/Extraction Force: 6N Minimum.
 - ❖ Operating Temperature: -20°C ~ +85°C.



Green Product

| | | | | | | |
|----------------------------|---------------------|-------------|------|-----------|-------------|------|
| COMPUTER NO. | | | UNIT | SCALE | PART NAME | |
| D:\DWG\HDMI-KPKB01-A02N2-L | | | mm | 1:1 | HDMI A PLUG | |
| APPD. | CKD. | DWG. | DATE | TOLERANCE | PART NO. | REV. |
| MODEL | HDMI-KPKB01-A02N2-L | PAGE 1 OF 1 | TINA | 27-12-07 | | A1 |

X. ±0.38
 .X ±0.25
 .XX ±0.13
 .XXX ±0.05