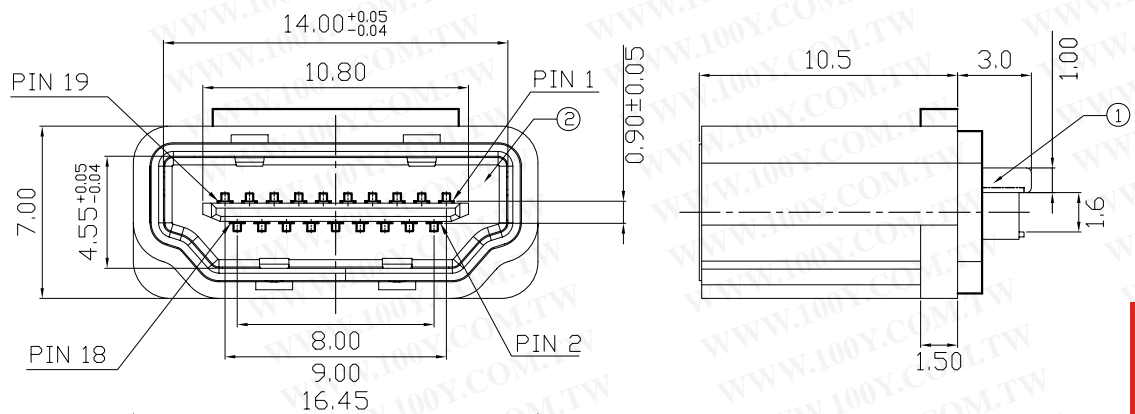
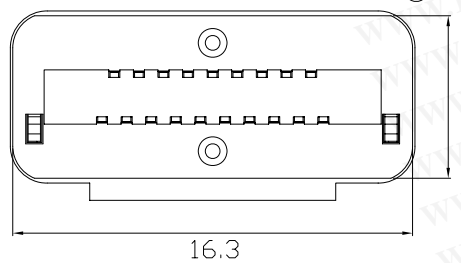
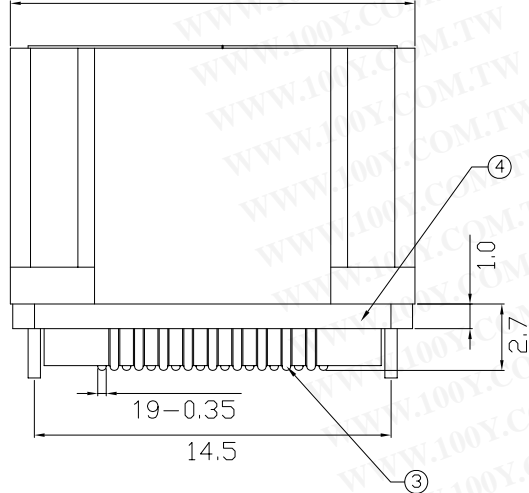


REV	ZONE	REVISION	DATE



勝特力材料 886-3-5753170  
 勝特力电子(上海) 86-21-54151736  
 勝特力电子(深圳) 86-755-83298787  
[Http://www.100y.com.tw](http://www.100y.com.tw)



**Green Product**

**Specification:**

- ❖ Contact Resistance: Unmated Plug Socket, 30m Ohm. Maximum.  
Mated Plug Socket, 60m Ohm. Maximum.
- ❖ Insulation Resistance: 100M Ohm Min. At 500 VDC.
- ❖ Rated Voltage And Current: AC 40V,0.5A Minimum.
- ❖ Dielectric Withstanding Voltage: 500V AC (rms) For 1 Minute.
- ❖ Insertion Force: Type A- 44.1N Maximum.
- ❖ Extraction Force: Type A- 9.8N Minimum,39.2N Maximum.
- ❖ Durability: Type A- 10000 Cycles At 100±50 Cycles Per Hour.  
Life Test After: Type A-Insertion/Extraction Force: 6N Minimum.
- ❖ Operating Temperature: -20°C ~ +85°C.

NO.	NAME	MATERIAL	FINISH	Q'TY	REMARK
1	SHELL	BRASS T:0.50	NICKEL PLATED	1	Ni:80~120u"
2	BODY	LCP+GF30%	GRAY	1	
3	TERMINAL	PHOS. BRONZE T:0.20	GOLD/TIN PLATED	19	Gold:15u"; Ni:40~60u" Tin:120~200u"
4	COVER	LCP+GF30%	GRAY	1	

MODEL			COMPUTER NO.			UNIT	SCALE	PART NAME	
			D:\DWG\HDMI-KRKW00-A07N2-L			mm	1:1	HDMI A RECEPTACLE	
HDMI-KRKW00-A07N2-L			APPD.	CKD.	DWG.	DATE	TOLERANCE	PART NO.	REV.
			TINA			03-01-08	X. ±0.38 .X ±0.25 .XX ±0.13 .XXX ±0.05		A0