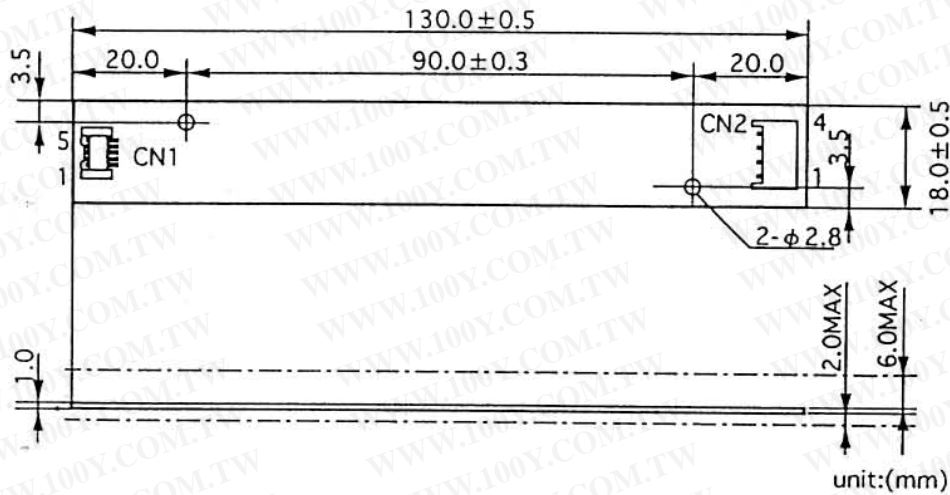


Inverter circuit for  
cold cathode lamps  
I N V C 3 7 8

1.Features

- (1) This is a new version inverter changed INVC218.
- (2) Very small, very thin and low power consumption design.
- (3) Adaptable with a variety of secondary batteries(8~17V).
- (4) Dimmable from 100% down to 60% using a variable resistor.
- (5) Backlight ON or OFF can be controlled by outer signal.
- (6) Low noise and low atomospherics.

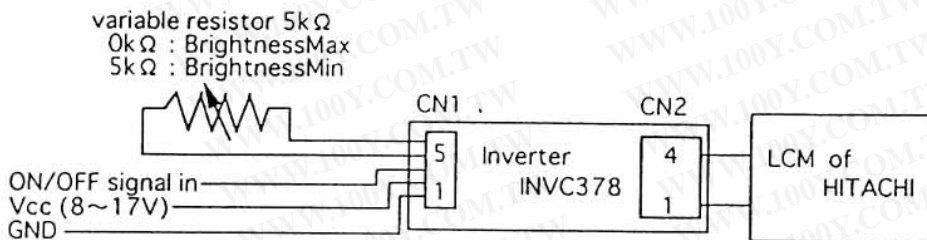
2.Structure and dimensions



3.Electrical characteristics

Type	Input Volt(V)	Input Current(A) (Vin=12V,at dimming MAX)	Output Current(mA)	Suitable LCM
INVC378	8~17	0.21 typ.	4.2 typ.	LMG5278 LMG5271 (HITACHI)

4.Wiring



○Move control

Mode	Lamp ON	Lamp OFF
	"Low"	"open"

("Low", VoL=0.8V MAX)

○Input and Output connector

	Maker	Type	User's connector housing
Input connector	JAE	IL-Z-5PL-SMTY	IL-Z-5S-S125C3
Output connector	MITSUMI	M60-04-30-134P	M60-04