

MSL915 ○ K I SEMICONDUCTOR GROUP

8-BIT PARALLEL-IN PARALLEL-OUT

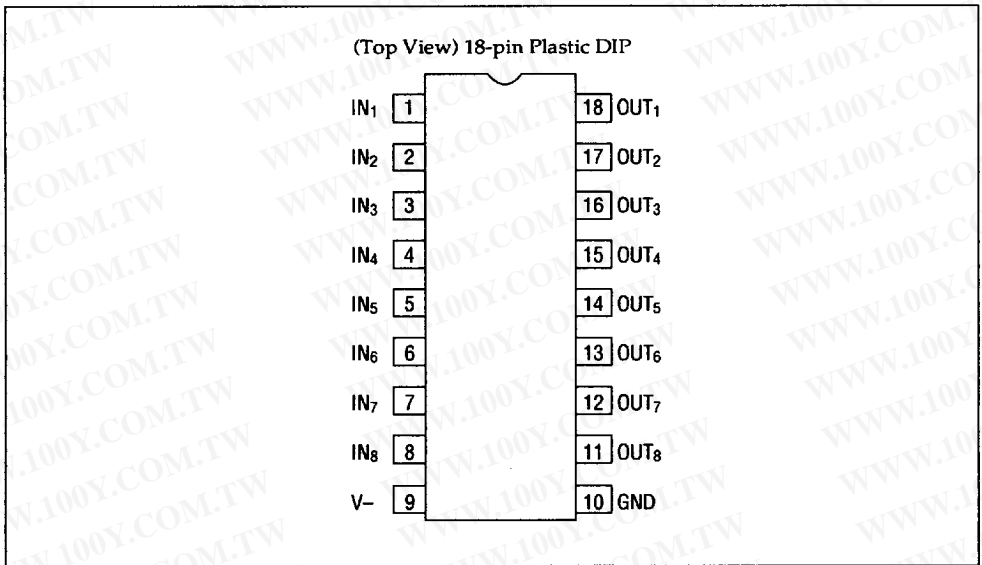
GENERAL DESCRIPTION

The MSL915 is a high voltage vacuum fluorescent display tube driver, which uses negative voltage and contains eight circuits. Each output contains a pull-down resistor, which allows the driver to directly drive the vacuum fluorescent display tube.

Input may be driven directly by the TTL or CMOS.

- 18-pin Plastic DIP (DIP 18-P-300)

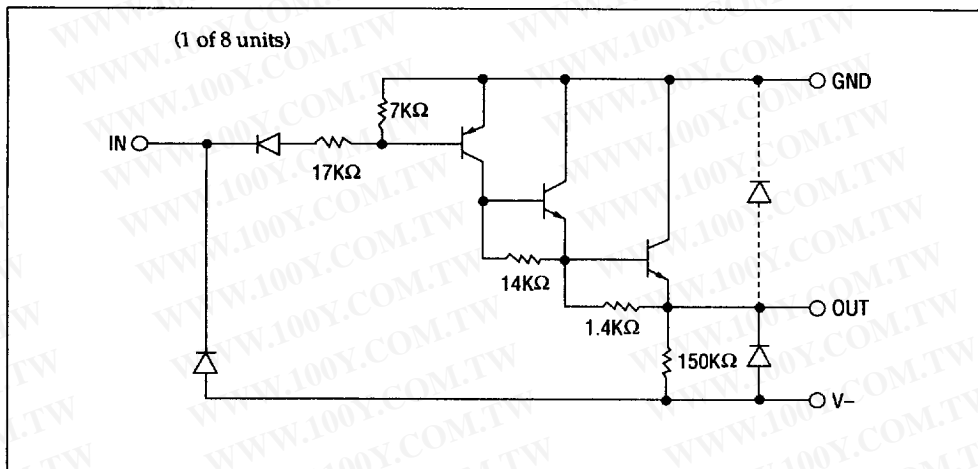
PIN CONFIGURATION



勝特力材料 886-3-5753170
 勝特力电子(上海) 86-21-34970699
 勝特力电子(深圳) 86-755-83298787
[Http://www.100y.com.tw](http://www.100y.com.tw)

CIRCUIT CONFIGURATION

OKI SEMICONDUCTOR GROUP



ELECTRICAL CHARACTERISTICS

• Absolute Maximum Ratings

Parameter	Symbol	Condition	Limits	Unit
Supply voltage	V-	Ta=25°C	GND +0.3 ~ GND -65	V
Input voltage	Vi	Ta=25°C	GND +0.5 ~ GND -10	V
Output voltage	Vo	Ta=25°C	GND +0.3 ~ V- -0.5	V
Output current	Io	Ta=25°C, only one circuit ON	+0.9 ~ -45	mA
Storage temperature	Tstg	-	-55 ~ +150	°C

• Recommended Operating Conditions

Parameter	Symbol	Condition	Limits	Unit
Supply voltage	V-	-	GND -20 ~ GND -60	V
Input voltage	Vi	-	GND ~ GND -7	V
Output current	Io	Only one circuit ON*	+0.8 ~ -40	mA
		Per circuit when all circuits are ON*	+0.8 ~ -5	mA
		Total output current*	+0.8 x 8 ~ -40	mA
Operating temperature	Top	-	-30 ~ +75	°C

* Duty: 50% max.

勝特力材料 886-3-5753170
 勝特力电子(上海) 86-21-34970699
 勝特力电子(深圳) 86-755-83298787
[Http://www.100y.com.tw](http://www.100y.com.tw)

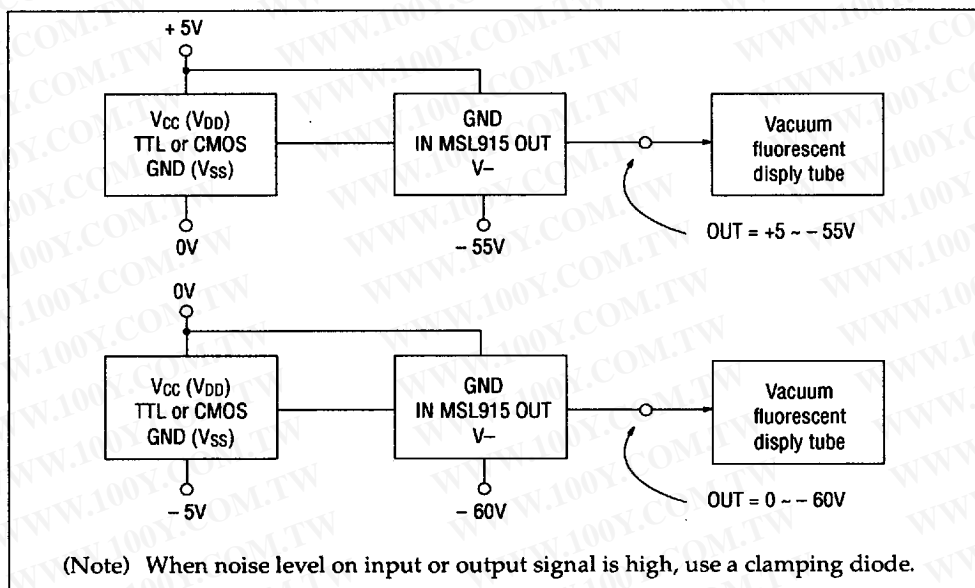
OKI SEMICONDUCTOR GROUP

• DC Characteristics

(Ta = -30 ~ +75°C, TYP: Ta = 25°C)

Parameter	Symbol	Condition			Specification			Unit
		V (V)	Vi (V)	IO (mA)	MIN	TYP	MAX	
High input voltage	V _{IH}	-60	-	-	-	-	-1.5	V
Low input voltage	V _{IL}	-60	-	-	-4	-	-	V
High input current	I _{IH}	-60	-1.5	-	-	-70	-280	μA
Low input current	I _{IL1}	-60	-4	-	-	-0.23	-1.2	mA
	I _{IL2}	-60	-7	-	-	-0.58	-2.6	mA
High output voltage	V _{OH}	-60	-4	-40	-	-1.5	-3	V
Low output voltage	V _{OL}	-60	-1.5	0	-55	-59	-	V
Supply current	I _{CC OFF}	-60	ALL INPUTS -1.5	0	-	0.7	1.3	mA
	I _{CC ON}	-60	ALL INPUTS -4	0	-	6	12	mA
Pull-down resistor	R _{PD}	-60	ALL INPUTS 0	V _O = -3V	60	150	270	kΩ

APPLICATION NOTE



Information furnished by OKI is believed to be accurate and reliable. However, no responsibility is assumed by OKI for its use; nor for any infringements of patents or other rights of third parties which may result from its use. No license is granted by implication or otherwise under any patent rights of OKI.

勝特力材料 886-3-5753170
 勝特力电子(上海) 86-21-34970699
 勝特力电子(深圳) 86-755-83298787
[Http://www.100y.com.tw](http://www.100y.com.tw)