



REALTEK

RTL8306SD-GR

RTL8306SDM-GR

RTL8306SD-VC-GR

RTL8306SDM-VC-GR

RTL8306SD-VT-GR

SINGLE-CHIP 6-PORT 10/100MBPS ETHERNET SWITCH CONTROLLER WITH DUAL MII/RMII INTERFACES

DATASHEET

Rev. 1.1

22 June 2007

Track ID: JATR-1076-21



REALTEK

勝特力材料 886-3-5753170
勝特力电子(上海) 86-21-54151736
勝特力电子(深圳) 86-755-83298787
[Http://www.100y.com.tw](http://www.100y.com.tw)

COPYRIGHT

©2007 Realtek Semiconductor Corp. All rights reserved. No part of this document may be reproduced, transmitted, transcribed, stored in a retrieval system, or translated into any language in any form or by any means without the written permission of Realtek Semiconductor Corp.

TRADEMARKS

Realtek is a trademark of Realtek Semiconductor Corporation. Other names mentioned in this document are trademarks/registered trademarks of their respective owners.

DISCLAIMER

Realtek provides this document “as is”, without warranty of any kind, neither expressed nor implied, including, but not limited to, the particular purpose. Realtek may make improvements and/or changes in this document or in the product described in this document at any time. This document could include technical inaccuracies or typographical errors.

USING THIS DOCUMENT

This document is intended for use by the software engineer when programming for Realtek RTL8306SD/RTL8306SDM controller chips. Information pertaining to the hardware design of products using these chips is contained in a separate document.

Though every effort has been made to ensure that this document is current and accurate, more information may have become available subsequent to the production of this guide. In that event, please contact your Realtek representative for additional information that may help in the development process.

REVISION HISTORY

| Revision | Release Date | Summary |
|----------|--------------|--|
| 1.0 | 2006/11/24 | First release. |
| 1.1 | 2007/06/22 | <ol style="list-style-type: none"> 1. Revised Table 1 Pin Assignments Table, page 7 (AI and A0 pin types). 2. Revised Table 5 Port 4 PHY Circuit Interface Pin Definitions, page 16 (Changed ‘DISPORTPRI[4]’ to ‘DISPORTPRI[1]’ for pin 84 description, and changed ‘DISPORTPRI[4]’ to ‘DISPORTPRI[0]’ for pin 83 description). 3. Revised Table 8 Serial EEPROM and SMI Pins, page 26 (Changed ‘0 to 25MHz clock’ to ‘0 to 2.5MHz clock’ for pin 74 description). 4. Revised Table 9 Strapping Pins, page 27 (changed the strapping pin function description of Pin 111). 5. Revised the MLD description (see section 8.9IGMP & MLD Snooping Function, page 71). 6. Corrected register names in section 8.14 Port Mirroring, page 80. 7. Added page selection register description (Table 34 PHY 0 Register 16 (Page 0, 1, 2, 3): Global Control 0, page 91). 8. Revised Table 62 DC Characteristics, page 113. 9. Revised Table 65 MII & SMI DC Timing, page 116. 10. Revised section 14 Ordering Information, page 123. |

Table of Contents

| | | |
|-----------|--|-----------|
| 1. | GENERAL DESCRIPTION | 1 |
| 2. | FEATURES | 3 |
| 3. | SYSTEM APPLICATIONS | 4 |
| 4. | BLOCK DIAGRAM | 5 |
| 5. | PIN ASSIGNMENTS | 6 |
| 5.1. | PIN ASSIGNMENTS DIAGRAM..... | 6 |
| 5.2. | PACKAGE IDENTIFICATION..... | 6 |
| 5.3. | PIN ASSIGNMENTS TABLE..... | 7 |
| 6. | PIN DESCRIPTIONS | 9 |
| 6.1. | MEDIA CONNECTION PINS | 9 |
| 6.2. | MODE CONFIGURATION PINS | 9 |
| 6.3. | PORT4 MAC CIRCUIT INTERFACE PINS..... | 13 |
| 6.4. | PORT 4 PHY CIRCUIT INTERFACE PINS..... | 16 |
| 6.5. | MISCELLANEOUS PINS | 23 |
| 6.6. | PORT LED PINS | 24 |
| 6.7. | SERIAL EEPROM AND SMI PINS | 26 |
| 6.8. | STRAPPING PINS..... | 27 |
| 6.9. | PORT STATUS STRAPPING PINS | 29 |
| 6.10. | POWER PINS..... | 31 |
| 7. | BASIC FUNCTIONAL DESCRIPTION | 32 |
| 7.1. | SWITCH CORE FUNCTION OVERVIEW..... | 32 |
| 7.1.1. | <i>Dual MII/RMII</i> | 32 |
| 7.1.2. | <i>Port0, 1, 2, 3 Status Configuration</i> | 35 |
| 7.1.3. | <i>Flow Control</i> | 35 |
| 7.1.4. | <i>Address Search, Learning, and Aging</i> | 37 |
| 7.1.5. | <i>Half Duplex Operation</i> | 38 |
| 7.1.6. | <i>InterFrame Gap</i> | 38 |
| 7.1.7. | <i>Illegal Frame</i> | 38 |
| 7.2. | PHYSICAL LAYER FUNCTIONAL OVERVIEW | 39 |
| 7.2.1. | <i>Auto-Negotiation for UTP</i> | 39 |
| 7.2.2. | <i>10Base-T Transmit Function</i> | 39 |
| 7.2.3. | <i>10Base-T Receive Function</i> | 39 |
| 7.2.4. | <i>Link Monitor</i> | 39 |
| 7.2.5. | <i>100Base-TX Transmit Function</i> | 39 |
| 7.2.6. | <i>100Base-TX Receive Function</i> | 40 |
| 7.2.7. | <i>Power-Down Mode</i> | 40 |
| 7.2.8. | <i>Crossover Detection and Auto Correction</i> | 40 |
| 7.2.9. | <i>Polarity Detection and Correction</i> | 41 |
| 7.3. | GENERAL FUNCTION OVERVIEW..... | 42 |
| 7.3.1. | <i>Reset</i> | 42 |
| 7.3.2. | <i>Setup and Configuration</i> | 43 |
| 7.3.3. | <i>Serial EEPROM Example: 24LC01/02/04</i> | 44 |
| 7.3.4. | <i>SMI</i> | 46 |
| 7.3.5. | <i>Head-Of-Line Blocking</i> | 47 |
| 7.3.6. | <i>Filtering/Forwarding Reserved Control Frame</i> | 47 |
| 7.3.7. | <i>Loop Detection</i> | 48 |
| 7.3.8. | <i>MAC Local Loopback Return to External</i> | 49 |

| | | |
|-----------|--|-----------|
| 7.3.9. | Reg.0.14 PHY Digital Loopback Return to Internal..... | 50 |
| 7.3.10. | 1.8V Power Generation | 51 |
| 7.3.11. | Crystal/Oscillator..... | 51 |
| 8. | ADVANCED FUNCTION DESCRIPTION..... | 52 |
| 8.1. | ACL FUNCTION | 52 |
| 8.2. | VLAN FUNCTION | 53 |
| 8.2.1. | Description..... | 53 |
| 8.2.2. | Port-Based VLAN..... | 55 |
| 8.2.3. | IEEE 802.1Q Tagged-VID Based VLAN..... | 56 |
| 8.2.4. | VLAN Packet Trap to CPU Port..... | 58 |
| 8.2.5. | PVID..... | 58 |
| 8.3. | QoS FUNCTION..... | 59 |
| 8.3.1. | Bandwidth Control..... | 59 |
| 8.3.2. | Priority Assignment..... | 61 |
| 8.4. | LOOKUP TABLE FUNCTION | 65 |
| 8.4.1. | Function Description..... | 65 |
| 8.4.2. | 4-Way Direct Mapping Algorithm..... | 65 |
| 8.4.3. | Lookup and CAM Table Definition | 65 |
| 8.5. | IEEE 802.1P REMARKING FUNCTION..... | 66 |
| 8.6. | MIBS FUNCTION..... | 67 |
| 8.6.1. | MIB Counter Description..... | 67 |
| 8.6.2. | MIB Counter Enable/Clear | 68 |
| 8.6.3. | MIB Counter Timeout..... | 68 |
| 8.7. | STORM FILTER FUNCTION..... | 68 |
| 8.8. | CPU INTERRUPT FUNCTION | 70 |
| 8.9. | IGMP & MLD SNOOPING FUNCTION..... | 71 |
| 8.10. | CPU TAG FUNCTION..... | 73 |
| 8.11. | IEEE 802.1X FUNCTION..... | 75 |
| 8.11.1. | Port-Based Access Control..... | 75 |
| 8.11.2. | MAC-Based Access Control..... | 76 |
| 8.12. | IEEE 802.1D FUNCTION | 77 |
| 8.13. | INPUT & OUTPUT DROP FUNCTION | 78 |
| 8.14. | PORT MIRRORING | 80 |
| 8.15. | LED FUNCTION..... | 81 |
| 8.15.1. | RTL8306SD/RTL8306SDM Controlling LED | 83 |
| 8.15.2. | CPU Controlling LED..... | 84 |
| 9. | REGISTER DESCRIPTIONS..... | 85 |
| 9.1. | REGISTER LIST | 85 |
| 9.2. | PHY 0 REGISTERS..... | 87 |
| 9.2.1. | PHY 0 Register 0 (Page 0, 1, 2, 3): Control..... | 87 |
| 9.2.2. | PHY 0 Register 1 (Page 0, 1, 2, 3): Status | 88 |
| 9.2.3. | PHY 0 Register 2 (Page 0, 1, 2, 3): PHY Identifier 1 | 88 |
| 9.2.4. | PHY 0 Register 3 (Page 0, 1, 2, 3): PHY Identifier 2..... | 89 |
| 9.2.5. | PHY 0 Register 4 (Page 0, 1, 2, 3): Auto-Negotiation Advertisement..... | 89 |
| 9.2.6. | PHY 0 Register 5 (Page 0, 1, 2, 3): Auto-Negotiation Link Partner Ability..... | 90 |
| 9.2.7. | PHY 0 Register 16 (Page 0, 1, 2, 3): Global Control 0..... | 91 |
| 9.2.8. | PHY 0 Register 18 (Page 0, 1): Global Control 2..... | 92 |
| 9.2.9. | PHY 0 Register 19 (Page 0, 1): Global Control 3..... | 92 |
| 9.2.10. | PHY 0 Register 22 (Page 0, 1): Port 0 Control Register 0..... | 93 |
| 9.2.11. | PHY 0 Register 24 (Page 0, 1): Port 0 Control Register 1..... | 94 |
| 9.3. | PHY 1 REGISTERS..... | 94 |
| 9.3.1. | PHY 1 Register 0 (Page 0, 1, 2, 3): Control..... | 94 |
| 9.3.2. | PHY 1 Register 1 (Page 0, 1, 2, 3): Status | 94 |



9.3.3. PHY 1 Register 2 (Page 0, 1, 2, 3): PHY Identifier 1 94

9.3.4. PHY 1 Register 3 (Page 0, 1, 2, 3): PHY Identifier 2 94

9.3.5. PHY 1 Register 4 (Page 0, 1, 2, 3): Auto-Negotiation Advertisement 95

9.3.6. PHY 1 Register 5 (Page 0, 1, 2, 3): Auto-Negotiation Link Partner Ability 95

9.3.7. PHY 1 Register 22 (Page 0, 1): Port 1 Control Register 0 95

9.3.8. PHY 1 Register 24 (Page 0, 1): Port 1 Control Register 1 95

9.4. PHY 2 REGISTERS 96

9.4.1. PHY 2 Register 0 (Page 0, 1, 2, 3): Control 96

9.4.2. PHY 2 Register 1 (Page 0, 1, 2, 3): Status 96

9.4.3. PHY 2 Register 2 (Page 0, 1, 2, 3): PHY Identifier 1 96

9.4.4. PHY 2 Register 3 (Page 0, 1, 2, 3): PHY Identifier 2 96

9.4.5. PHY 2 Register 4 (Page 0, 1, 2, 3): Auto-Negotiation Advertisement 96

9.4.6. PHY 2 Register 5 (Page 0, 1, 2, 3): Auto-Negotiation Link Partner Ability 96

9.4.7. PHY 2 Register 22 (Page 0, 1): Port 1 Control Register 0 96

9.4.8. PHY 2 Register 23 (Page 0, 1): Global Option Register 1 97

9.4.9. PHY 2 Register 24 (Page 0,1): Port 2 Control Register 2 97

9.5. PHY 3 REGISTERS 98

9.5.1. PHY 3 Register 0 (Page 0, 1, 2, 3): Control 98

9.5.2. PHY 3 Register 1 (Page 0, 1, 2, 3): Status 98

9.5.3. PHY 3 Register 2 (Page 0, 1, 2, 3): PHY Identifier 1 98

9.5.4. PHY 3 Register 3 (Page 0, 1, 2, 3): PHY Identifier 2 98

9.5.5. PHY 3 Register 4 (Page 0, 1, 2, 3): Auto-Negotiation Advertisement 98

9.5.6. PHY 3 Register 5 (Page 0, 1, 2, 3): Auto-Negotiation Link Partner Ability 98

9.5.7. PHY 3 Register 16 (Page 0, 1, 2, 3): Switch MAC Address 98

9.5.8. PHY 3 Register 17~18 (Page 0, 1): Switch MAC Address 99

9.5.9. PHY 3 Register 22 (Page 0, 1): Port 1 Control Register 0 99

9.5.10. PHY 3 Register 24 (Page 0, 1): Port 3 Control Register 1 99

9.6. PHY 4 REGISTERS 100

9.6.1. PHY 4 Register 0 (Page 0, 1, 2, 3): Control 100

9.6.2. PHY 4 Register 1 (Page 0, 1, 2, 3): Status 100

9.6.3. PHY 4 Register 2 (Page 0, 1, 2, 3): PHY Identifier 1 100

9.6.4. PHY 4 Register 3 (Page 0, 1, 2, 3): PHY Identifier 2 100

9.6.5. PHY 4 Register 4 (Page 0, 1, 2, 3): Auto-Negotiation Advertisement 100

9.6.6. PHY 4 Register 5 (Page 0, 1, 2, 3): Auto-Negotiation Link Partner Ability 100

9.6.7. PHY 4 Register 22 (Page 0,1): Port 1 Control Register 0 100

9.6.8. PHY 4 Register 24 (Page 0, 1): Port 4 Control Register 1 101

9.7. PHY 5 REGISTERS 102

9.7.1. PHY 5 Register 0 (Page 0, 1, 2, 3): Control 102

9.7.2. PHY 5 Register 1 (Page 0, 1, 2, 3): Status 103

9.7.3. PHY 5 Register 2 (Page 0, 1, 2, 3): PHY Identifier 1 103

9.7.4. PHY 5 Register 3 (Page 0, 1, 2, 3): PHY Identifier 2 103

9.7.5. PHY 5 Register 4 (Page 0, 1, 2, 3): Auto-Negotiation Advertisement 104

9.7.6. PHY 5 Register 5 (Page 0, 1, 2, 3): Auto-Negotiation Link Partner Ability 105

9.8. PHY 6 REGISTERS 106

9.8.1. PHY 6 Register 0 (Page 0, 1, 2, 3): Control 106

9.8.2. PHY 6 Register 1 (Page 0, 1, 2, 3): Status 107

9.8.3. PHY 6 Register 2 (Page 0, 1, 2, 3): PHY Identifier 1 107

9.8.4. PHY 6 Register 3 (Page 0, 1, 2, 3): PHY Identifier 2 107

9.8.5. PHY 6 Register 4 (Page 0, 1, 2, 3): Auto-Negotiation Advertisement 108

9.8.6. PHY 6 Register 5 (Page 0, 1, 2, 3): Auto-Negotiation Link Partner Ability 109

9.8.7. PHY 6 Register 22 (Page 0, 1): Port 5 Control Register 0 109

9.8.8. PHY 6 Register 24 (Page 0, 1): Port 5 Control Register 1 111

10. CHARACTERISTICS 112

10.1. ELECTRICAL CHARACTERISTICS/MAXIMUM RATINGS 112

勝特力材料 886-3-5753170
 胜特力电子(上海) 86-21-54151736
 胜特力电子(深圳) 86-755-83298787
[Http://www.100y.com.tw](http://www.100y.com.tw)

| | | |
|------------|--|------------|
| 10.2. | OPERATING RANGE..... | 112 |
| 10.3. | DC CHARACTERISTICS..... | 113 |
| 10.4. | AC CHARACTERISTICS..... | 114 |
| 10.5. | DIGITAL TIMING CHARACTERISTICS | 115 |
| 11. | APPLICATION INFORMATION..... | 118 |
| 11.1. | UTP (10BASE-T/100BASE-TX) APPLICATION..... | 118 |
| 12. | DESIGN AND LAYOUT..... | 120 |
| 13. | MECHANICAL DIMENSIONS..... | 122 |
| 13.1. | MECHANICAL DIMENSIONS NOTES | 123 |
| 14. | ORDERING INFORMATION..... | 123 |

勝特力材料 886-3-5753170
勝特力电子(上海) 86-21-54151736
勝特力电子(深圳) 86-755-83298787
[Http://www.100y.com.tw](http://www.100y.com.tw)

List of Tables

| | |
|--|-----|
| TABLE 1. PIN ASSIGNMENTS TABLE | 7 |
| TABLE 2. MEDIA CONNECTION PINS..... | 9 |
| TABLE 3. MODE CONFIGURATION PIN DEFINITIONS | 9 |
| TABLE 4. PORT4 MAC CIRCUIT INTERFACE PINS..... | 13 |
| TABLE 5. PORT 4 PHY CIRCUIT INTERFACE PIN DEFINITIONS..... | 16 |
| TABLE 6. MISCELLANEOUS PINS | 23 |
| TABLE 7. PORT LED PINS..... | 24 |
| TABLE 8. SERIAL EEPROM AND SMI PINS..... | 26 |
| TABLE 9. STRAPPING PINS..... | 27 |
| TABLE 10. PORT STATUS STRAPPING PINS | 29 |
| TABLE 11. POWER PINS..... | 31 |
| TABLE 12. DUALMII/RMII MODE CONFIGURATION TABLE | 34 |
| TABLE 13. SMI READ/WRITE CYCLES..... | 46 |
| TABLE 14. RESERVED ETHERNET MULTICAST ADDRESSES..... | 47 |
| TABLE 15. LOOP FRAME FORMAT | 48 |
| TABLE 16. AN EXAMPLE USING POWER TRANSISTOR 2SB1188 | 51 |
| TABLE 17. ADVANCED FUNCTION DESCRIPTION..... | 52 |
| TABLE 18. CPU TAG FORMAT | 63 |
| TABLE 19. MIB COUNTER TIMEOUT | 68 |
| TABLE 20. CPU TAG FORMAT | 73 |
| TABLE 21. BIT TO PORT MAPPING IN CPU TAG..... | 73 |
| TABLE 22. IEEE 802.1x MAC-BASED ENTRY..... | 76 |
| TABLE 23. BEHAVIOR ON TX_EN, RX_EN, AND PSTAN..... | 77 |
| TABLE 24. BEHAVIOR ACCORDING TO EN_INPUT, EN_BRO_INPUT, EN_MUL_INPUT, EN_UDA_INPUT | 78 |
| TABLE 25. SPD AND BI-COLOR LINK/ACT TRUTH TABLE WHEN RTL8306SD/RTL8306SDM CONTROLLING LED..... | 83 |
| TABLE 26. BI-COLOR LED TRUTH TABLE WHEN CPU CONTROLLING LED | 84 |
| TABLE 27. REGISTER DESCRIPTIONS | 85 |
| TABLE 28. PHY 0 REGISTER 0 (PAGE 0, 1, 2, 3): CONTROL..... | 87 |
| TABLE 29. PHY 0 REGISTER 1 (PAGE 0, 1, 2, 3): STATUS..... | 88 |
| TABLE 30. PHY 0 REGISTER 2 (PAGE 0, 1, 2, 3): PHY IDENTIFIER 1 | 88 |
| TABLE 31. PHY 0 REGISTER 3 (PAGE 0, 1, 2, 3): PHY IDENTIFIER 2 | 89 |
| TABLE 32. PHY 0 REGISTER 4 (PAGE 0, 1, 2, 3): AUTO-NEGOTIATION ADVERTISEMENT | 89 |
| TABLE 33. PHY 0 REGISTER 5 (PAGE 0, 1, 2, 3): AUTO-NEGOTIATION LINK PARTNER ABILITY..... | 90 |
| TABLE 34. PHY 0 REGISTER 16 (PAGE 0, 1, 2, 3): GLOBAL CONTROL 0..... | 91 |
| TABLE 35. PHY 0 REGISTER 18 (PAGE 0, 1): GLOBAL CONTROL 2 | 92 |
| TABLE 36. PHY 0 REGISTER 19 (PAGE 0,1): GLOBAL CONTROL 3 | 92 |
| TABLE 37. PHY 0 REGISTER 22 (PAGE 0, 1): PORT 0 CONTROL REGISTER 0..... | 93 |
| TABLE 38. PHY 0 REGISTER 24 (PAGE 0,1): PORT 0 CONTROL REGISTER 1 | 94 |
| TABLE 39. PHY 1 REGISTER 24 (PAGE 0,1): PORT 1 CONTROL REGISTER 1 | 95 |
| TABLE 40. PHY 2 REGISTER 23 (PAGE 0,1): GLOBAL OPTION REGISTER 1 | 97 |
| TABLE 41. PHY 2 REGISTER 24(PAGE 0,1): PORT 2 CONTROL REGISTER 2 | 97 |
| TABLE 42. PHY 3 REGISTER 16 (PAGE 0, 1, 2, 3): SWITCH MAC ADDRESS | 98 |
| TABLE 43. PHY 3 REGISTER 17~18 (PAGE 0, 1): SWITCH MAC ADDRESS | 99 |
| TABLE 44. PHY 3 REGISTER 24 (PAGE 0, 1): PORT 3 CONTROL REGISTER 1 | 99 |
| TABLE 45. PHY 4 REGISTER 24 (PAGE 0, 1): PORT 4 CONTROL REGISTER 1 | 101 |
| TABLE 46. PHY 5 REGISTER 0 (PAGE 0, 1, 2, 3): CONTROL..... | 102 |
| TABLE 47. PHY 5 REGISTER 1 (PAGE 0, 1, 2, 3): STATUS..... | 103 |
| TABLE 48. PHY 5 REGISTER 2 (PAGE 0, 1, 2, 3): PHY IDENTIFIER 1 | 103 |
| TABLE 49. PHY 5 REGISTER 3 (PAGE 0, 1, 2, 3): PHY IDENTIFIER 2..... | 103 |
| TABLE 50. PHY 5 REGISTER 4 (PAGE 0, 1, 2, 3): AUTO-NEGOTIATION ADVERTISEMENT | 104 |
| TABLE 51. PHY 5 REGISTER 5 (PAGE 0, 1, 2, 3): AUTO-NEGOTIATION LINK PARTNER ABILITY..... | 105 |
| TABLE 52. PHY 6 REGISTER 0 (PAGE 0, 1, 2, 3): CONTROL..... | 106 |

| | |
|--|-----|
| TABLE 53. PHY 6 REGISTER 1 (PAGE 0, 1, 2, 3): STATUS..... | 107 |
| TABLE 54. PHY 6 REGISTER 2 (PAGE 0, 1, 2, 3): PHY IDENTIFIER 1 | 107 |
| TABLE 55. PHY 6 REGISTER 3 (PAGE 0, 1, 2, 3): PHY IDENTIFIER 2 | 107 |
| TABLE 56. PHY 6 REGISTER 4 (PAGE 0, 1, 2, 3): AUTO-NEGOTIATION ADVERTISEMENT | 108 |
| TABLE 57. PHY 6 REGISTER 5 (PAGE 0, 1, 2, 3): AUTO-NEGOTIATION LINK PARTNER ABILITY..... | 109 |
| TABLE 58. PHY 6 REGISTER 22 (PAGE 0, 1): PORT 5 CONTROL REGISTER 0..... | 109 |
| TABLE 59. PHY 6 REGISTER 24 (PAGE 0, 1): PORT 5 CONTROL REGISTER 1 | 111 |
| TABLE 60. ELECTRICAL CHARACTERISTICS/MAXIMUM RATINGS | 112 |
| TABLE 61. OPERATING RANGE..... | 112 |
| TABLE 62. DC CHARACTERISTICS..... | 113 |
| TABLE 63. AC CHARACTERISTICS..... | 114 |
| TABLE 64. LED TIMING | 115 |
| TABLE 65. MII & SMI DC TIMING | 116 |
| TABLE 66. TRANSFORMER VENDORS | 118 |
| TABLE 67. ORDERING INFORMATION | 123 |

勝特力材料 886-3-5753170
胜特力电子(上海) 86-21-54151736
胜特力电子(深圳) 86-755-83298787
[Http://www.100y.com.tw](http://www.100y.com.tw)

List of Figures

| | |
|--|-----|
| FIGURE 1. BLOCK DIAGRAM..... | 5 |
| FIGURE 2. PIN ASSIGNMENTS | 6 |
| FIGURE 3. DUAL MII/RMII DIAGRAM | 33 |
| FIGURE 4. RESET | 42 |
| FIGURE 5. START AND STOP DEFINITION | 44 |
| FIGURE 6. OUTPUT ACKNOWLEDGE | 45 |
| FIGURE 7. RANDOM READ | 45 |
| FIGURE 8. SEQUENTIAL READ | 45 |
| FIGURE 9. LOOP EXAMPLE..... | 48 |
| FIGURE 10. PORT 4 LOOPBACK | 49 |
| FIGURE 11. REG. 0.14 LOOPBACK | 50 |
| FIGURE 12. USING A PNP TRANSISTOR TO TRANSFORM 3.3V INTO 1.8V | 51 |
| FIGURE 13. VLAN GROUPING EXAMPLE | 55 |
| FIGURE 14. VLAN GROUPING WITH PORT5 MAC IN DUAL-(R)MII MODE | 56 |
| FIGURE 15. TAGGED AND UNTAGGED PACKET FORWARDING WHEN 802.1Q TAG AWARE VLAN IS ENABLED | 57 |
| FIGURE 16. RTL8306SD/RTL8306SDM PACKET SCHEDULING DIAGRAM | 59 |
| FIGURE 17. RTL8306SD/RTL8306SDM PRIORITY ASSIGNMENT DIAGRAM | 61 |
| FIGURE 18. PACKET PRIORITY SELECTION | 64 |
| FIGURE 19. STORM FILTER APPLICATION EXAMPLE | 69 |
| FIGURE 20. IGMP & MLD APPLICATION EXAMPLE | 72 |
| FIGURE 21. CPU TAG APPLICATION EXAMPLE | 74 |
| FIGURE 22. BROADCAST INPUT DROP VS. OUTPUT DROP..... | 79 |
| FIGURE 23. MULTICAST INPUT DROP VS. OUTPUT DROP..... | 79 |
| FIGURE 24. FLOATING AND PULL-DOWN OF LED PINS FOR SINGLE-COLOR LED | 82 |
| FIGURE 25. TWO-PIN BI-COLOR LED FOR SPD FLOATING OR PULL-HIGH | 82 |
| FIGURE 26. TWO-PIN BI-COLOR LED FOR SPD PULL-DOWN..... | 82 |
| FIGURE 27. RECEPTION DATA TIMING OF MII/RMII/SMI INTERFACE | 115 |
| FIGURE 28. TRANSMISSION DATA TIMING OF MII/RMII/SMI INTERFACE | 115 |
| FIGURE 29. UTP APPLICATION FOR TRANSFORMER WITH CONNECTED CENTRAL TAP | 118 |
| FIGURE 30. UTP APPLICATION FOR TRANSFORMER WITH SEPARATE CENTRAL TAP | 119 |

勝特力材料 886-3-5753170
勝特力电子(上海) 86-21-54151736
勝特力电子(深圳) 86-755-83298787
[Http://www.100y.com.tw](http://www.100y.com.tw)

1. General Description

The RTL8306SD/RTL8306SDM is a 6-port Fast Ethernet switch controller that integrates memory, six MACs, and five physical layer transceivers for 10Base-T and 100Base-TX operation into a single chip.

The RTL8306SD/RTL8306SDM support a Dual MII/RMII interface for external devices to connect to the 6th MAC, 5th MAC, and 5th PHY. The external device could be a routing engine, HomePNA, HomePlug, or VDSL transceiver depending on the application. In order to accomplish diagnostics in complex network systems, the RTL8306SD/RTL8306SDM provides a loopback feature in each port.

The RTL8306SD/RTL8306SDM supports several advanced QoS functions with four-level priority queues to improve multimedia or real-time networking applications, including:

- Multi priority assignment
- Differential queue weight
- Port-based and queue-based rate limitation
- 16-entry ACL for advanced packet control application

Note: RTL8306SD and RTL8306SDM difference is that the ACL (Access Control List) function is supported only by the RTL8306SDM (see 8.1 ACL Function, page 52).

For multicast applications, the RTL8306SD/RTL8306SDM supports IGMPv1/v2/v3 and MLDv1/v2 snooping.

To meet security and management requirements, the RTL8306SD/RTL8306SDM supports IEEE 802.1x Port-based/MAC-based Access Control, provides a Port Mirroring function, and also supports five 32-bit MIB Counters on each port.

The RTL8306SD/RTL8306SDM supports 16 VLAN groups. These can be configured as port-based VLANs and/or 802.1Q tag-based VLANs. The RTL8306SD/SDM also supports advanced VLAN setting method for external processor to maintain more than 16 VLAN groups.

RTL8306SD/RTL8306SDM also provide tag insertion/remove function, a VLAN tag or a Realtek proprietary tag can be inserted or removed at the output port. The inserted tag can carry useful information for Router and Gateway applications, such as the source port and the priority of the packet.

RTL8306SD/RTL8306SDM contains a 2K-entry address lookup table and a 16-entry CAM, 4-way associative hash algorithm to avoid hash collisions and to maintain forwarding performance. The 2K-entry table provides read/write access from the SMI interface, and each of the entries can be configured as a static entry that does not automatically age out and can only be controlled by the external management

processor. For IGMP/MLD snooping application, each of the 2K entries can be configured as a multicast entry that indicates the matched packets will be forwarded to the specific multi ports. For IEEE 802.1x application, each of the 2K entries can be configured as an authorized or unauthorized entry.

Maximum packet length can be 1536 or 1552 bytes according to the initial configuration (strapping upon reset). Three types of independent storm filter are provided to filter packet storms, and an intelligent switch engine prevents Head-of-Line blocking problems. The filtering function is supported for IEEE 802.1D specified reserved multicast addresses (01-80-C2-00-00-02 and 01-80-C2-00-00-04 to 01-80-C2-00-00-0F).

The RTL8306SD/RTL8306SDM provides flexible LED functions for diagnostics, with four combination modes. An externally managed processor can control the LED through SMI.

A power saving mode is implemented on a per-port basis. Users can set MII Reg.0.11 to force the corresponding port to enter power down mode, which disables all transmit/receive functions, except SMI (MDC/MDIO management interface).

To simplify the peripheral circuit, the RTL8306SD/RTL8306SDM can use a low-cost PNP transistor to generate 1.8V from a 3.3V power supply.

勝特力材料 886-3-5753170
勝特力电子(上海) 86-21-54151736
勝特力电子(深圳) 86-755-83298787
[Http://www.100y.com.tw](http://www.100y.com.tw)

2. Features

- 6-port switch controller with memory and transceiver for 10Base-T and 100Base-TX with:
 - ◆ 5-port 10/100M UTP or
 - ◆ 5-port 10/100M UTP + 1-port MII/RMII or
 - ◆ 4-port 10/100M UTP + 2-port MII/RMII
- Supports Dual MII/RMII for router applications, HomePNA, HomePlug, or VDSL solutions.
 - ◆ The 6th MAC provides MII or RMII
 - ◆ The 5th MAC provides MII or RMII
 - ◆ The 5th PHY provides MII or RMII
- Non-blocking wire-speed reception and transmission and non-head-of-line-blocking forwarding
- Complies with IEEE 802.3/802.3u auto-negotiation
- Built-in high efficiency SRAM for packet buffer, with 2K-entry lookup table, 16-entry CAM, and 4-way associative hash algorithm.
- Supports high performance QoS function on each port:
 - ◆ Supports 4-level priority queues
 - ◆ Weighted round robin service
 - ◆ Input/Output port bandwidth control
- Supports IGMP v1/v2/v3 and MLD v1/v2 snooping
- Supports 16-entry ACL for advanced application (RTL8306SDM only)
- Supports IEEE 802.1x
- Supports IEEE 802.1D
- Supports IEEE 802.1p Traffic Re-marking
- Lookup Table is accessible via SMI
- Supports 32-bit smart counter for per port RX/TX byte/packet count, collision counter, and error counter
- Supports reserved control frame filtering (DID=01-80-C2-00-00-04 ~ 01-80-C2-00-00-0F)
- Supports advanced storm filtering
- Supports Port Mirroring
- Supports interrupt for CPU application
- Supports SMI (Serial Management Interface) for programming and diagnostics
- Optional EEPROM interface for configuration
- Supports MAC and PHY loopback function for diagnosis
- Supports up to 16 VLAN groups
 - ◆ Flexible 802.1Q port/tag-based VLAN
 - ◆ Supports special VLAN tag insert or remove function on per-port basis (egress) to separate WAN traffic from LAN traffic
 - ◆ VLAN priority tag Insert/Remove function
 - ◆ ARP VLAN for broadcast packets
 - ◆ Leaky VLAN for unicast packets
 - ◆ Supports external processor to maintain greater than 16 VLAN groups
- Flexible LED indicators for link, activity, speed, full/half duplex, and collision, as well as user defined LED output
- LEDs blink upon reset for LED diagnostics
- Supports loop detection function with one LED to indicate the existence of a loop

- Optional 1552 byte maximum packet length
- Flow control fully supported:
 - ◆ Half duplex: Back pressure flow control
 - ◆ Full duplex: IEEE 802.3x flow control
- Optional MDI/MDIX auto crossover for plug-and-play
- Physical layer port Polarity Detection and Correction function
- Supports power reduction methods (Power down mode)
- Robust baseline wander correction for improved 100Base-TX performance
- 25MHz crystal or 3.3V/1.8V OSC input
- Single 3.3V power input can be transformed to 1.8V via a low-cost external BJT transistor
- Low power, 1.8/3.3V, 0.18 μ m CMOS technology
- 128-pin PQFP package

3. System Applications

- 5-port switches (10Base-T & 100Base-TX)
- xDSL/cable modem router or home gateway applications
- HomePlug bridge solutions

勝特力材料 886-3-5753170
勝特力电子(上海) 86-21-54151736
勝特力电子(深圳) 86-755-83298787
[Http://www.100y.com.tw](http://www.100y.com.tw)

5. Pin Assignments

5.1. Pin Assignments Diagram

勝特力材料 886-3-5753170
 勝特力电子(上海) 86-21-54151736
 勝特力电子(深圳) 86-755-83298787
[Http://www.100y.com.tw](http://www.100y.com.tw)

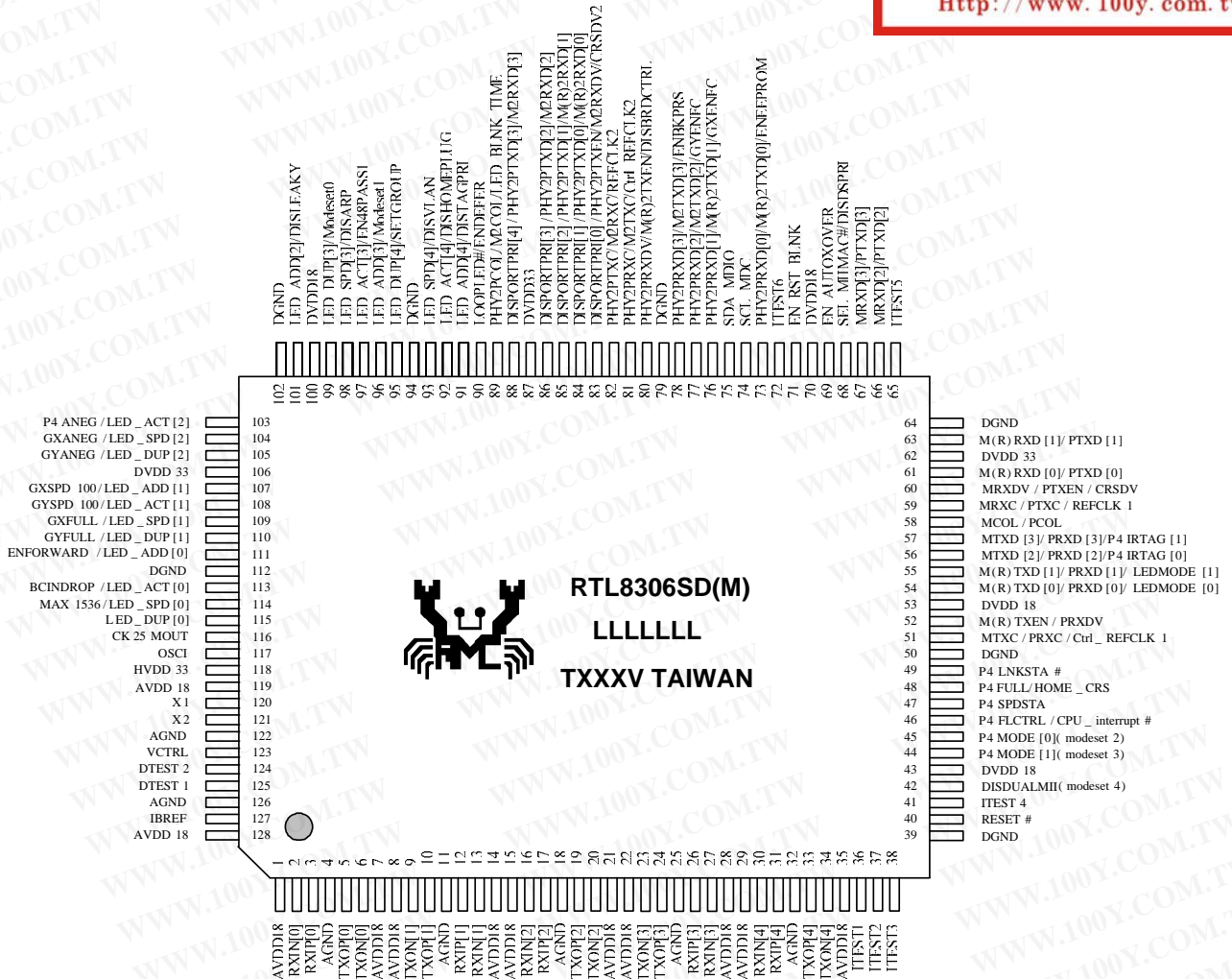


Figure 2. Pin Assignments

5.2. Package Identification

Green package is indicated by a 'G' in the location marked 'T' in Figure 2. The version number is shown in the location marked 'V'.

5.3. Pin Assignments Table

‘Type’ codes used in the following table: A=Analog, D=Digital, I=Input, O=Output, I/O=Input/Output, I_{PU}=Internal pull-up, I_{PD}=Internal pull-down.

All internal pull-up and pull-down resistors are 75K ohm resistors.

Table 1. Pin Assignments Table

| Name | Pin No. | Type | Name | Pin No. | Type |
|-------------------------|---------|------------------------|---------------------------------------|---------|-----------------------|
| AVDD18 | 1 | AVDD | ITEST5 | 65 | - |
| RXIN[0] | 2 | A/O | MRXD[2]/PTXD[2] | 66 | I (I _{PU}) |
| RXIP[0] | 3 | A/O | MRXD[3]/PTXD[3] | 67 | I (I _{PU}) |
| AGND | 4 | AGND | SEL_MIIMAC#/DISDSPRI | 68 | I/O(I _{PU}) |
| TXOP[0] | 5 | A/O | EN_AUTOXOVER | 69 | I (I _{PU}) |
| TXON[0] | 6 | A/O | DVDD18 | 70 | DVDD |
| AVDD18 | 7 | AVDD | EN_RST_BLNK | 71 | I (I _{PU}) |
| AVDD18 | 8 | AVDD | ITEST6 | 72 | - |
| TXON[1] | 9 | A/O | PHY2PRXD[0]/M(R)2TXD0/ENEPPROM | 73 | I/O(I _{PU}) |
| TXOP[1] | 10 | A/O | SCL_MDC | 74 | I/O(I _{PU}) |
| AGND | 11 | AGND | SDA_MDIO | 75 | I/O(I _{PU}) |
| RXIP[1] | 12 | A/O | PHY2PRXD[1]/ M(R)2TXD1/GXENFC | 76 | I/O(I _{PU}) |
| RXIN[1] | 13 | A/O | PHY2PRXD[2]/M2TXD2/GYENFC | 77 | I/O(I _{PU}) |
| AVDD18 | 14 | AVDD | PHY2PRXD[3]/M2TXD3/ENBKPRS | 78 | I/O(I _{PU}) |
| AVDD18 | 15 | AVDD | DGND | 79 | DGND |
| RXIN[2] | 16 | A/O | PHY2PRXDV/M(R)2TXEN/DISBRDCTRL | 80 | I/O(I _{PU}) |
| RXIP[2] | 17 | A/O | PHY2PRXC/M2TXC/Ctrl_REFCLK2 | 81 | I/O(I _{PU}) |
| AGND | 18 | AGND | PHY2PTXC/M2RXC/REFCLK2 | 82 | I/O(I _{PU}) |
| TXOP[2] | 19 | A/O | DISPORTPRI[0] | | |
| TXON[2] | 20 | A/O | /PHY2PTXEN/M2RXDV/CRSDV2 | 83* | I (I _{PU}) |
| AVDD18 | 21 | AVDD | DISPORTPRI[1] /PHY2PTXD[0]/M(R)2RXD0 | 84* | I (I _{PU}) |
| AVDD18 | 22 | AVDD | DISPORTPRI[2] /PHY2PTXD[1] /M(R)2RXD1 | 85* | I (I _{PU}) |
| TXON[3] | 23 | A/O | DISPORTPRI[3] /PHY2PTXD[2]/M2RXD2 | 86* | I (I _{PU}) |
| TXOP[3] | 24 | A/O | DVDD33 | 87 | DVDD |
| AGND | 25 | AGND | DISPORTPRI[4] | | |
| RXIP[3] | 26 | A/O | /PHY2PTXD[3]/M2RXD3 | 88* | I (I _{PU}) |
| RXIN[3] | 27 | A/O | PHY2PCOL/M2COL/LED_BLNK_TIME | 89 | I/O(I _{PU}) |
| AVDD18 | 28 | AVDD | LOOPLED#/ENDEFER | 90 | I/O(I _{PU}) |
| AVDD18 | 29 | AVDD | LED_ADD[4]/DISTAGPRI | 91 | I/O(I _{PU}) |
| RXIN[4] | 30 | A/O | LED_ACT[4]/DISHOMEPLUG | 92 | I/O(I _{PU}) |
| RXIP[4] | 31 | A/O | LED_SPD[4]/DISVLAN | 93 | I/O(I _{PU}) |
| AGND | 32 | AGND | DGND | 94 | DGND |
| TXOP[4] | 33 | A/O | LED_DUP[4]/SETGROUP | 95 | I/O(I _{PU}) |
| TXON[4] | 34 | A/O | LED_ADD[3]/Modeset1 | 96 | I/O(I _{PU}) |
| AVDD18 | 35 | AVDD | LED_ACT[3]/EN48PASS1 | 97 | I/O(I _{PU}) |
| ITEST1 | 36 | - | LED_SPD[3]/DISARP | 98 | I/O(I _{PU}) |
| ITEST2 | 37 | - | LED_DUP[3]/Modeset0 | 99 | I/O(I _{PU}) |
| ITEST3 | 38 | - | DVDD18 | 100 | DVDD |
| DGND | 39 | DGND | LED_ADD[2]/DISLEAKY | 101 | I/O(I _{PU}) |
| RESET# | 40 | I | DGND | 102 | DGND |
| ITEST4 | 41 | - | LED_ACT[2]/P4ANEG | 103 | I/O(I _{PU}) |
| DISDUALMII(Modeset4) | 42 | I (I _{PU}) | LED_SPD[2]/GXANEG | 104 | I/O(I _{PU}) |
| DVDD18 | 43 | DVDD | LED_DUP[2]/GYANEG | 105 | I/O(I _{PU}) |
| P4MODE[1] (Modeset3) | 44 | I (I _{PU}) | DVDD33 | 106 | DVDD |
| P4MODE[0] (Modeset2) | 45 | I (I _{PU}) | LED_ADD[1]/GXSPD100 | 107 | I/O(I _{PU}) |
| P4FLCTRL/CPU_interrupt# | 46 | I/O (I _{PU}) | LED_ACT[1]/GYSPD100 | 108 | I/O(I _{PU}) |
| P4SPDSTA | 47 | I (I _{PU}) | LED_SPD[1]/GXFULL | 109 | I/O(I _{PU}) |

| Name | Pin No. | Type | Name | Pin No. | Type |
|-------------------------------|---------|-----------------------|----------------------|---------|-----------------------|
| P4DUPSTA/HOME_CRS | 48 | I (I _{PU}) | LED_DUP[1]/GYFULL | 110 | I/O(I _{PU}) |
| P4LNKSTA# | 49 | I (I _{PU}) | LED_ADD[0]/ENFORWARD | 111 | I/O(I _{PU}) |
| DGND | 50 | DGND | DGND | 112 | DGND |
| MTXC/PRXC/Ctrl_REFCLK1 | 51 | I/O(I _{PU}) | LED_ACT[0]/BCINDROP | 113 | I/O(I _{PU}) |
| M(R)TXEN/PRXDV | 52 | I/O(I _{PD}) | LED_SPD[0]/MAX1536 | 114 | I/O(I _{PU}) |
| DVDD18 | 53 | DVDD | LED_DUP[0] | 115 | I/O(I _{PU}) |
| M(R)TXD[0]/PRXD[0]/LEDMODE[0] | 54 | I/O(I _{PU}) | CK25MOUT | 116 | I/O |
| M(R)TXD[1]/PRXD[1]/LEDMODE[1] | 55 | I/O(I _{PU}) | OSCI | 117 | I/O |
| MTXD[2]/PRXD[2]/P4IRTAG[0] | 56 | I/O(I _{PU}) | HVDD33 | 118 | AVDD |
| MTXD[3]/PRXD[3]/P4IRTAG[1] | 57 | I/O(I _{PU}) | AVDD18 | 119 | AVDD |
| MCOL/PCOL | 58 | I/O(I _{PD}) | X1 | 120 | I |
| MRXC/PTXC/REFCLK1 | 59 | I/O(I _{PU}) | X2 | 121 | O |
| MRXDV/PTXEN/CRSDV | 60 | I (I _{PD}) | AGND | 122 | AGND |
| M(R)RXD[0]/PTXD[0] | 61 | I (I _{PU}) | VCTRL | 123 | O |
| DVDD33 | 62 | DVDD | DTEST2 | 124 | - |
| M(R)RXD[1]/PTXD[1] | 63 | I (I _{PU}) | DTEST1 | 125 | - |
| DGND | 64 | DGND | AGND | 126 | AGND |
| | | | IBREF | 127 | A |
| | | | AVDD18 | 128 | AVDD |

Note 1: 'MII/RMII 1' means MAC 4's MII or RMII; 'MII/RMII 2' means MAC 5/PHY 4's MII or RMII.

Note 2: When 'MII/RMII 2' is not enabled to connect to an external device, pin 83~86 and pin 88 are strapping pins: DISPORTPRI [0:4]. When 'MII/RMII 2' is enabled, these pins are input pins with no strapping function.

勝特力材料 886-3-5753170
 勝特力电子(上海) 86-21-54151736
 勝特力电子(深圳) 86-755-83298787
[Http://www.100y.com.tw](http://www.100y.com.tw)

6. Pin Descriptions

‘Type’ codes used in the following tables: A=Analog, D=Digital, I=Input, O=Output, I/O=In&Out, I_{PU}=Internal pull-up, I_{PD}=Internal pull-down.

All internal pull-up and pull-down resistors are 75K ohm resistors.

Upon Reset: Defined as a short time after the end of a hardware reset.

After Reset: Defined as the time after the specified ‘Upon Reset’ time.

勝特力材料 886-3-5753170
 勝特力电子(上海) 86-21-54151736
 勝特力电子(深圳) 86-755-83298787
[Http://www.100y.com.tw](http://www.100y.com.tw)

6.1. Media Connection Pins

Table 2. Media Connection Pins

| Pin Name | Pin No. | Type | Drive (mA) | Description | Default |
|------------------------|---|------|------------|--|---------|
| RXIP[4:0] RXIN[4:0] | 2, 3, 12, 13, 16, 17, 26, 27, 30, 31. | AI | - | Differential Receive Data Input: Port0-4 support 100Base-TX, 10Base-T | UTP |
| TXOP[4:0] TXON[4:0] | 5, 6, 9, 10, 19, 20, 23, 24, 33, 34 | AO | - | Differential Transmit Data Output: Port0-4 support 100Base-TX, 10Base-T | UTP |

6.2. Mode Configuration Pins

Table 3. Mode Configuration Pin Definitions

| Pin Name | Pin No. | Type | Drive (MA) | Description | Default Value |
|------------------------------|---------|----------------------|------------|---|---------------|
| DISDUAL MII (Modeset4) | 42 | I (I _{PU}) | - | Input Upon Reset These 5 pins are used together to select the operating modes of Dual MII/RMII: MII/RMII 1 for MAC 4; MII/RMII 2 for MAC 5 or PHY 4) (The following sequence is Modeset[4:0]) 111xx: MII/RMII 2 not used; MII/RMII 1 not used. Port 4 in UTP (consists of MAC 4/PHY4) | 1 |
| P4MODE1 (Modeset3) | 44 | I (I _{PU}) | - | Or: MII/RMII 2 not used; MII/RMII 1 is used by MAC 4 in MAC Mode. 110xx: Reserved. | 1 |

| Pin Name | Pin No. | Type | Drive (MA) | Description | Default Value |
|-------------------------|---------|---------------------------|------------|---|---------------|
| P4MODE0 (Modeset2) | 45 | I (I _{PU}) | - | 101xx: MII/RMII 2 not used; MII/RMII 1 is used by MAC 4 in PHY Mode. 10011: MII/RMII 2 not used; MII/RMII 1 is used by MAC 4 in RMII Mode. 011xx: MII/RMII 1 is used by MAC 4 in MAC Mode; MII/RMII 2 used by PHY 4 in PHY Mode. | 1 |
| Modeset1/ LED_ADD[3] | 96 | I/O (I _{PU}) | 4 | 001xx: MII/RMII 1 is used by MAC 4 in PHY Mode; MII/RMII 2 used by PHY 4 in PHY Mode. 00011: MII/RMII 1 is used by MAC 4 in RMII Mode; MII/RMII 2 used by PHY 4 in RMII Mode. 00010: MII/RMII 1 is used by MAC 4 in PHY Mode; MII/RMII 2 used by MAC 5 in PHY Mode. 00001: MII/RMII 1 is used by MAC 4 in RMII Mode; MII/RMII 2 used by MAC 5 in PHY Mode. 00000: MII/RMII 1 is used by MAC 4 in RMII Mode; MII/RMII 2 used by MAC 5 in RMII Mode. 01011: MII/RMII 2 used by MAC 5 in MAC Mode; Port 4 in UTP (consists of MAC 4/PHY4). Or: MII/RMII 2 used by MAC 5 in MAC Mode. 01001: MII/RMII 2 used by MAC 5 in PHY Mode; Port 4 in UTP (consists of MAC 4/PHY4). Or: MII/RMII 2 used by MAC 5 in PHY Mode Or: MII/RMII 2 used by MAC 5 in PHY Mode; MII/RMII 1 is used by MAC 4 in MAC Mode. 01000: MII/RMII 2 used by MAC 5 in RMII Mode; Port 4 in UTP (consists of MAC 4/PHY4) Or: MII/RMII 2 used by MAC 5 in RMII Mode. | 1 |

勝特力材料 886-3-5753170
勝特力电子(上海) 86-21-54151736
勝特力电子(深圳) 86-755-83298787
[Http://www.100y.com.tw](http://www.100y.com.tw)

| Pin Name | Pin No. | Type | Drive (MA) | Description | Default Value |
|--------------------------|---------|---------------------------|------------|--|---------------|
| Modeset0/ LED_DUP[3] | 99 | I/O (I _{PU}) | 4 | 01010: Reserved. 10001: Reserved. 10000: Reserved. 10010: Reserved. After Reset: Pin 96 Modeset1/LED_ADD[3] and Pin 99 Modeset0/LED_DUP [3] used for LED (see Table 7, page 24). | - |
| SEL_MIIMAC# /DisDSPri | 68 | I/O (I _{PU}) | 4 | Output after reset is SEL_MIIMAC# used for LED: When P4MODE[1:0]=11 and DISDUALMII=1, this pin indicates whether the UTP path or the MII MAC path is selected. Otherwise, this pin is irrelevant. <i>Note: When P4MODE[1:0]=11 and DISDUALMII=1, the RTL8306SD/RTL8306SDM supports UTP/ MAC 4 auto-detection function via the link status of Port4 UTP and the P4LNKSTA# pin. UTP has higher priority than MAC mode MII.</i> LED On: MII MAC path is selected LED Off: UTP path is selected. Input upon reset when mode select[4:0]=00010/00001/00000/1xxxx: This pin is a strapping pin : DisDSPri. Disable Differentiated Service Priority: 1: Disable DS priority 0: Enable DS priority When in other modes, this pin is a strapping pin: P4UTP. To set the operating mode of Port 4 differential pair: 1: UTP mode 0: Reserved | 1 |

勝特力材料 886-3-5753170
 勝特力电子(上海) 86-21-54151736
 勝特力电子(深圳) 86-755-83298787
[Http://www.100y.com.tw](http://www.100y.com.tw)

| Pin Name | Pin No. | Type | Drive (MA) | Description | Default Value |
|---------------------------|---------|------------------------|------------|---|---------------|
| P4LNKSTA# | 49 | I (I _{PU}) | - | <p>Port4 Link Status for MAC: This pin determines the link status of Port4 MAC in real-time when Port4 MAC works in MAC mode MII / PHY mode MII/RMII regardless of Port4 PHY circuit interface is disabled or worked in PHY mode MII/RMII. This pin is low active. Pulling this pin down sets the link status of PHY 5 MII register 1.2. 1: No Link. 0: Link</p> <p>Regardless of whether DISDUALMII=1 or =0, this pin provides real-time link status to Port4 MAC part in PHY 5 MII register 1.2 when Port4 MAC part is configured in MAC mode MII / PHY mode MII/RMII Mode</p> <p>When Port4 operates in UTP mode only, the MII/RMII 1 interface is disabled and this pin has no function. It should be left floating.</p> | 1 |
| P4DUPSTA/HOME_CRS | 48 | I (I _{PU}) | - | <p>When HOME_PNA or HOME_PLUG mode is disabled (see Table 9, page 27, pin 92), this is a strapping pin. Upon reset Port4 Duplex Status: Port4 initial configuration pin for duplex upon reset for PHY in UTP mode, and strap duplex status for MAC of other modes upon reset. 1: Full duplex 0: Half duplex</p> <p>When enabling HOME_PNA or HOME_PLUG mode, this pin is the CRS signal pin of MII.</p> | 1 |
| P4SPDSTA | 47 | I (I _{PU}) | - | <p>Input upon reset Port4 Speed Status: Port4 initial configuration pin for speed status upon reset for PHY of UTP mode only, and strap speed status for MAC of other modes upon reset. 1: 100Mbps 0: 10Mbps</p> | 1 |
| P4FLCTRL/CPU – interrupt# | 46 | I/O (I _{PU}) | - | <p>Input upon reset Port4 Flow Control: Port4 initial configuration pin for flow control upon reset for PHY of UTP mode, and strap flow control status for MAC of other modes upon reset. 1: Enable Flow Control ability 0: Disable Flow Control ability</p> <p>Output after reset: Provide interrupt signal to CPU when interrupt events occur.</p> | 1 |

6.3. Port4 MAC Circuit Interface Pins

The external device must be 3.3V compatible as the digital output of the RTL8306SD/RTL8306SDM is 3.3V.

Table 4. Port4 MAC Circuit Interface Pins

| Pin Name | Pin No. | Type | Drive (MA) | Description | Default |
|--------------------|---------|----------------------|------------|---|---------|
| MRXD[3]/PTXD[3] | 67 | I (I _{PU}) | - | When MII/RMII 1 is used by MAC 4 in MAC mode, this pin is input pin MRXD[3]. When MII/RMII 1 is used by MAC 4 in PHY mode, this pin is input pin PTXD[3]. When MII/RMII 1 is used by MAC 4 in RMII mode, this pin is not used. | - |
| MRXD[2]/PTXD[2] | 66 | I (I _{PU}) | - | When MII/RMII 1 is used by MAC 4 in MAC mode; this pin is input pin MRXD[2]. When MII/RMII 1 is used by MAC 4 in PHY mode; this pin is input pin PTXD[2]. When MII/RMII 1 is used by MAC 4 in RMII mode; this pin is not used. | - |
| M(R)RXD[1]/PTXD[1] | 63 | I (I _{PU}) | - | When MII/RMII 1 is used by MAC 4 in MAC mode; this pin is input pin MRXD[1]. When MII/RMII 1 is used by MAC 4 in PHY mode; this pin is input pin PTXD[1]. When MII/RMII 1 is used by MAC 4 in RMII mode; this pin is input pin RRXD[1]. | - |
| M(R)RXD[0]/PTXD[0] | 61 | I (I _{PU}) | - | When MII/RMII 1 is used by MAC 4 in MAC mode; this pin is input pin MRXD[0]. When MII/RMII 1 is used by MAC 4 in PHY mode; this pin is input pin PTXD[0]. When MII/RMII 1 is used by MAC 4 in RMII mode; this pin is input pin RRXD[0]. | - |
| MRXDV/PTXEN/CRSDV | 60 | I (I _{PD}) | - | When MII/RMII 1 is used by MAC 4 in MAC mode. This pin is input pin MRXDV. When MII/RMII 1 is used by MAC 4 in PHY mode; this pin is input pin PTXEN. When MII/RMII 1 is used by MAC 4 in RMII mode; this pin is input pin CRSDV. | - |

| Pin Name | Pin No. | Type | Drive (MA) | Description | Default |
|---|---------|---------------------------|------------|---|---------|
| MRXC/ PTXC/ REFCLK1 | 59 | I/O (I _{PU}) | 8 | When MII/RMII 1 is used by MAC 4 in MAC mode; this pin is input pin MRXC. When MII/RMII 1 is used by MAC 4 in PHY mode; this pin is output pin PTXC. (When MII/RMII 1 is used by MAC 4 in RMII mode, this pin is bi-directional REFCLK 1). When pin 51 is pulled high in this mode upon reset, this pin is an input pin, and can receive an external clock. When pin 51 is pulled down in this mode upon reset, this pin is an output pin, and can output a 50MHz clock). | - |
| MCOL/ PCOL | 58 | I/O (I _{PD}) | 4 | When MII/RMII 1 is used by MAC 4 in MAC mode; this pin is input pin MCOL. When MII/RMII 1 is used by MAC 4 in PHY mode; this pin is output pin PCOL. When MII/RMII 1 is used by MAC 4 in RMII mode; this pin is not used. | - |
| MTXD[3]/ PRXD[3]/ P4IRTAG[1] | 57 | I/O (I _{PU}) | 4 | Output after reset. When MII/RMII 1 is used by MAC 4 in MAC mode; this pin is output pin MTXD[3:2]. | 11 |
| MTXD[2]/ PRXD[2]/ P4IRTAG[0] | 56 | I/O (I _{PU}) | 4 | When MII/RMII 1 is used by MAC 4 in PHY mode; this pin is output pin PRXD[3:2]. When MII/RMII 1 is used by MAC 4 in RMII mode; this pin is not used. Input upon reset. The 2 pins are strapping pin P4IRTAG[1:0]: Insert/Remove Priority Tag of Port4. 11: Do not insert/remove VLAN tags to/from packets. 10: Insert PVID to non-tagged packets. 01: Remove tags from tagged packets. 00: Replace the VID with a PVID for tagged packets and insert a PVID to non-tagged packets. <i>Note: These pins are used for Port4 only. Use serial EEPROM for other ports.</i> | |
| M(R) TXD[1]/ PRXD[1]/ LEDMODE[1] | 55 | I/O (I _{PU}) | 4 | Output after reset. When MII/RMII 1 is used by MAC 4 in MAC mode; this pin is output pin MTXD [1:0]. | 11 |

勝特力材料 886-3-5753170
 勝特力电子(上海) 86-21-54151736
 勝特力电子(深圳) 86-755-83298787
[Http://www.100y.com.tw](http://www.100y.com.tw)

| Pin Name | Pin No. | Type | Drive (MA) | Description | Default |
|---|---------|---------------------------|------------|--|---------|
| M(R) TXD[0]/ PRXD[0]/ LEDMODE[0] | 54 | I/O (I _{PU}) | 4 | <p>When MII/RMII 1 is used by MAC 4 in PHY mode; this pin is output pin PRXD[1:0].</p> <p>When MII/RMII 1 is used by MAC 4 in RMII mode; this pin is output pin RTXD [1:0].</p> <p>Input upon reset.</p> <p>The two pins are strapping pin LEDMODE[1:0]. Each port has four LED indicator pins. Each pin has different indicator meanings, set by the pins, LEDMODE[1:0].</p> <p>LEDMODE[1:0]=11: Duplex/Col + Speed + Link/Act + Link/Act/Spd.</p> <p>LEDMODE[1:0]=10: Duplex/Col + Speed + Act + Bi-color Link/Active.</p> <p>LEDMODE[1:0]=01: TxAct + Speed + RxAct + Link.</p> <p>LEDMODE[1:0]=00: Col+ Speed+ Link/Act+ Duplex.</p> <p>All LED statuses are represented as active-low or high depending on input strapping, except Bi-color Link/Act in Bi-color LED mode, whose polarity depends on Spd status.</p> <p>Link/Act/Spd: Link, Activity, and Speed Indicator. On for link established. Blinking every 43ms when the corresponding port is transmitting or receiving at 100Mbps. Blinking every 120ms when the port is transmitting or receiving at 10Mbps.</p> | |
| M(R) TXEN/ PRXDV | 52 | I/O (I _{PD}) | 4 | <p>When MII/RMII 1 is used by MAC 4 in MAC mode; this pin is output pin MTXEN.</p> <p>When MII/RMII 1 is used by MAC 4 in PHY mode; this pin is output pin PRXDV.</p> <p>When MII/RMII 1 is used by MAC 4 in RMII mode; this pin is output pin RTXEN.</p> | - |

勝特力材料 886-3-5753170
勝特力电子(上海) 86-21-54151736
勝特力电子(深圳) 86-755-83298787
[Http://www.100y.com.tw](http://www.100y.com.tw)

| Pin Name | Pin No. | Type | Drive (MA) | Description | Default |
|------------------------------------|---------|---------------------------|------------|--|---------|
| MTXC/ PRXC/ Ctrl_ REFCLK1 | 51 | I/O (I _{PU}) | 8 | <p>When MII/RMII 1 is used by MAC 4 in MAC mode; this pin is input pin MTXC.</p> <p>When MII/RMII 1 is used by MAC 4 in PHY mode; this pin is output pin PRXC.</p> <p>When MII/RMII 1 is used by MAC 4 in RMII mode; this pin is strapping pin Ctrl_REFCLK1.</p> <p>Input upon reset. 1: Pin 59 REFCLK1 is input pin 0: Pin 59 REFCLK1 is output pin</p> | 1 |

6.4. Port 4 PHY Circuit Interface Pins

The external device must be 3.3V compatible as the digital output of the RTL8306SD/RTL8306SDM is 3.3V.

Table 5. Port 4 PHY Circuit Interface Pin Definitions

| Pin Name | Pin No. | Type | Drive (MA) | Description | Default |
|--|---------|-------------------------|------------|---|---------|
| DISPORT PRI[4] / PHY2 PTXD[3]/ M2RXD[3] | 88 | I (I _{PU}) | - | <p>When MII/RMII 2 is not enabled, this pin is strapping pin DISPORTPRI[4].</p> <p>To enable port-based priority QoS function on port 4: Upon reset: 1: Disable port 4 priority 0: Enable port 4 priority</p> <p>After reset: Ignore any input signal</p> <p>When MII/RMII 2 is enabled for PHY 4 or MAC 5.</p> <p>For PHY mode MII, this pin is input pin PHY2PTXD[3].</p> <p>For MAC mode MII; this pin is input pin M2RXD[3].</p> <p>For RMII mode; this pin is not used.</p> <p>When under the above modes: DISPORTPRI[4] power on strapping is not supported. Port priority function can be set from the MII register.</p> | 1 |

| Pin Name | Pin No. | Type | Drive (MA) | Description | Default |
|--|---------|----------------------|------------|--|---------|
| DISPORT PRI[3] / PHY2 PTXD[2]/ M2RXD[2] | 86 | I (I _{PU}) | - | <p>When MII/RMII 2 is not enabled, this pin is strapping pin DISPORTPRI[3].</p> <p>To enable port-based priority QoS function of port 3. Upon reset: 1: Disable port3 priority 0: Enable port 3 priority</p> <p>After reset: Not used.</p> <p>When MII/RMII 2 is enabled for PHY 4 or MAC 5: For PHY mode MII; this pin is input pin PHY2PTXD[2]. For MAC mode MII; this pin is input pin M2RXD[2]. For RMII mode; this pin is not used.</p> <p>When under the above modes, DISPORTPRI[3] power on strapping is not supported. Port priority function can be set from the MII register.</p> | 1 |
| DISPORT PRI[2] / PHY2 PTXD[1]/ M(R)2RXD[1] | 85 | I (I _{PU}) | - | <p>When MII/RMII 2 is not enabled, this pin is strapping pin DISPORTPRI[2].</p> <p>To enable port-based priority QoS function on port 2: Upon reset: 1: Disable port 2 priority 0: Enable port 2 priority</p> <p>After reset: Not used.</p> <p>When MII/RMII 2 is enabled for PHY 4 or MAC 5: For PHY mode MII, this pin is input pin PHY2PTXD[1]. For MAC mode MII, this pin is input pin M2RXD[1]. For RMII mode; this pin is input pin R2RXD[1].</p> <p>When under the above modes, DISPORTPRI[2] power on strapping is not supported. Port priority function can be set from the MII register.</p> | 1 |

勝特力材料 886-3-5753170
勝特力电子(上海) 86-21-54151736
勝特力电子(深圳) 86-755-83298787
[Http://www.100y.com.tw](http://www.100y.com.tw)

| Pin Name | Pin No. | Type | Drive (MA) | Description | Default |
|---|---------|----------------------|------------|---|---------|
| DISPORT PRI[1] / PHY2 PTXD[0]/ M(R)2RXD[0] | 84 | I (I _{PU}) | - | <p>When MII/RMII 2 is not enabled, this pin is strapping pin DISPORTPRI[1].</p> <p>To enable port-based priority QoS function on port 1: Upon reset: 1: Disable port 1 priority 0: Enable port 1 priority</p> <p>After reset: Not used.</p> <p>When MII/RMII 2 is enabled for PHY 4 or MAC 5: For PHY mode MII; this pin is input pin PHY2PTXD[0]. For MAC mode MII; this pin is input pin M2RXD[0] For RMII mode; this pin is input pin R2RXD[0].</p> <p>When under the above modes, DISPORTPRI[1] power on strapping is not supported. Port priority function can be set from the MII register.</p> | 1 |
| DISPORT PRI[0] / PHY2 PTXEN/ M2RXDV/ CRSDV2 | 83 | I (I _{PU}) | - | <p>When MII/RMII 2 is not enabled, this pin is strapping pin DISPORTPRI[0].</p> <p>To enable port-based priority QoS function on port 0: Upon reset: 1: Disable port 0 priority 0: Enable port 0 priority</p> <p>After reset: Not used.</p> <p>When MII/RMII 2 is enabled for PHY 4 or MAC 5: For PHY mode MII; this pin is input pin PHY2PTXEN. For MAC mode MII; this pin is input pin M2RXDV. For RMII mode; this pin is input pin CRSDV2.</p> <p>When in the above modes, DISPORTPRI[0] power on strapping is not supported. Port priority function can be set from the MII register.</p> | 1 |

勝特力材料 886-3-5753170
勝特力电子(上海) 86-21-54151736
勝特力电子(深圳) 86-755-83298787
[Http://www.100y.com.tw](http://www.100y.com.tw)

| Pin Name | Pin No. | Type | Drive (MA) | Description | Default |
|--|---------|---------------------------|------------|--|---------|
| PHY2 PCOL /M2COL /LED_ BLNK_ TIME | 89 | I/O (I _{PU}) | 4 | <p>When MII/RMII 2 is not enabled, this pin is strapping pin LED_BLINK_TIME only.</p> <p>To set the blinking speed of the activity and collision LEDs.</p> <p>Upon reset:</p> <p>1: On 43ms, then Off 43ms 0: On 120ms, then Off 120ms</p> <p>After reset: Not used.</p> <p>When MII/RMII 2 is enabled for PHY 4 or MAC 5: For MAC mode MII, this pin is input pin M2COL.</p> <p>For PHY mode MII, this pin is IO pin PHY2COL/LED_BLINK_TIME.</p> <p>Upon reset this pin is strapping pin LED_BLINK_TIME: 1: On 43ms, then Off 43ms 0: On 120ms, then Off 120ms</p> <p>After reset: This pin is output pin PHY2COL.</p> <p>For RMII mode it is strapping pin LED_BLINK_TIME. Upon reset: 1: On 43ms, then Off 43ms 0: On 120ms, then Off 120ms</p> <p>After reset: Not used.</p> | 1 |
| PHY2PTXC/ M2RXC/REFCL K2 | 82 | I/O (I _{PU}) | 8 | <p>When MII/RMII 2 is enabled for PHY 4 or MAC 5: For MAC mode MII; the 2 pins are input pin M2RXC.</p> <p>For PHY mode MII; the 2 pins are output pin PHY2PTXC.</p> <p>For RMII mode, pin 82 is bi-directional pin REFCLK2, whose direction is controlled by pin 81. Pin 81Ctrl_REFCLK2 is a strapping pin to control the direction of Pin 82 in RMII mode.</p> | 1 |
| PHY2PRXC/ M2TXC/ Ctrl_REFCLK2 | 81 | I/O (I _{PU}) | 8 | <p>Upon reset: If pin 81 is pulled-high, then pin 82 is an input pin to receive an external 50MHz RMIICLOCK. If pin 81 is pulled-low, then pin 82 is an output pin to provide a 50MHz RMIICLOCK.</p> | 1 |

| Pin Name | Pin No. | Type | Drive (MA) | Description | Default |
|--|---------|---------------------------|------------|--|---------|
| PHY 2 PRXD [3]/ M2TXD[3]/ ENBKPRS | 78 | I/O (I _{PU}) | 4 | <p>Input upon reset in all modes.</p> <p>The pin is strapping pin ENBKPRS and sets backpressure in half duplex mode on all UTP ports.</p> <p>1: Enable 0: Disable</p> <p>After reset When MII/RMII 2 is not enabled; this pin is not used.</p> <p>When MII/RMII 2 is enabled for PHY4 or MAC5: For MAC mode MII; this is output pin M2TXD[3]. For PHY mode MII; this is output pin PHY2PRXD[3]. For RMII mode: Not used.</p> | 1 |
| PHY 2 PRXD[2]/ M2TXD[2]/ GYENFC | 77 | I/O (I _{PU}) | 4 | <p>Input upon reset in all modes.</p> <p>The pin is strapping pin GYENFC.</p> <p>To enable Flow Control ability of GROUP Y: 1: Enable Reg4.10 (NWAY Full duplex only), or 'Enable Force Full pause ability of Force Mode (UTP Force Mode)', or 'Enable Force Half Back Pressure ability of Force Mode (UTP Force Mode)'. 0: Disable Reg4.10 (NWAY Full duplex only), or 'Disable Force Full pause ability of Force Mode (UTP Force Mode)', or 'Disable Force Half Back Pressure ability of Force Mode (UTP Force Mode)'. Strap after reset for initial value of Group Y 'UTP NWAY Full', or 'UTP Force Full or Half Mode'.</p> <p>After reset: When MII/RMII 2 is not enabled; this pin is not used.</p> <p>When MII/RMII 2 is enabled for PHY4 or MAC5: For MAC mode MII; this pin is output pin M2TXD[2]. For PHY mode MII; this pin is output pin PHY2PRXD[2]. For RMII mode: Not used.</p> | 1 |

勝特力材料 886-3-5753170
勝特力电子(上海) 86-21-54151736
勝特力电子(深圳) 86-755-83298787
[Http://www.100y.com.tw](http://www.100y.com.tw)

| Pin Name | Pin No. | Type | Drive (MA) | Description | Default |
|---|---------|---------------------------|------------|---|---------|
| PHY 2 PRXD[1]/ M(R)2TXD[1]/ GXENFC | 76 | I/O (I _{PU}) | 4 | <p>Input upon reset in all modes. The pin is strapping pin GYENFC. To enable Flow Control ability of GROUP Y: 1: Enable Reg4.10 (NWAY Full duplex only), or 'Enable Force Full pause ability of Force Mode (UTP Force Mode)', or 'Enable Force Half Back Pressure ability of Force Mode (UTP Force Mode)'. 0: Disable Reg4.10 (NWAY Full duplex only), or 'Disable Force Full pause ability of Force Mode (UTP Force Mode)', or 'Disable Force Half Back Pressure ability of Force Mode (UTP Force Mode)'. Strap after reset for initial value of Group X 'UTP NWAY Full', or 'UTP Force Full or Half Mode'.</p> <p>After reset: When MII/RMII 2 is not enabled; this pin is not used.</p> <p>When MII/RMII 2 is enabled for PHY4 or MAC5: For MAC mode MII, this pin is output pin M2TXD[1]. For PHY mode MII, this pin is output pin PHY2PRXD[1]. For RMII mode; this pin is output pin R2TXD[1].</p> | 1 |
| PHY 2PRXD[0]/ M2TXD[0]/ R2TXD[0]/ ENEEPROM | 73 | I/O (I _{PU}) | 4 | <p>Input upon reset in all modes. The pin is strapping pin Enable EEPROM: Sets the RTL8306SD/RTL8306SDM to enable loading of the serial EEPROM upon reset. 1: Enable 0: Disable</p> <p>Output after reset. When MII/RMII 2 is not enabled; this pin is not used.</p> <p>When MII/RMII 2 is enabled for PHY4 or MAC5: For MAC mode MII; this is output pin M2TXD[0]. For PHY mode MII; this is output pin PHY2PRXD[1]. For RMII mode; this is output pin R2TXD[1].</p> | 1 |

勝特力材料 886-3-5753170
 勝特力电子(上海) 86-21-54151736
 勝特力电子(深圳) 86-755-83298787
[Http://www.100y.com.tw](http://www.100y.com.tw)

| Pin Name | Pin No. | Type | Drive (MA) | Description | Default |
|---|---------|---------------------------|------------|--|---------|
| PHY 2PRXDV/ M(R)2TXEN/ DISBRDCTRL | 80 | I/O (I _{PU}) | 4 | <p>Input upon reset in all modes.</p> <p>The pin is strapping pin DISBRDCTRL: Sets Broadcast Storm Control 1: Disable 0: Enable</p> <p>Output after reset When MII/RMII 2 is not enabled; this pin is strapping pin only.</p> <p>When MII/RMII 2 is enabled for PHY4 or MAC5: For MAC mode MII; this pin is output pin M2TXEN. For PHY mode MII; this pin is output pin PHY2PRXDV. For RMII mode; this pin is output pin R2TXEN.</p> | 1 |

勝特力材料 886-3-5753170
勝特力电子(上海) 86-21-54151736
勝特力电子(深圳) 86-755-83298787
[Http://www.100y.com.tw](http://www.100y.com.tw)

6.5. Miscellaneous Pins

Table 6. Miscellaneous Pins

| Pin Name | Pin No. | Type | Drive (mA) | Description |
|----------|---------|------|------------|---|
| X1 | 120 | I | - | 25MHz crystal input. The clock tolerance is ± 50 ppm. When using an oscillator, this pin should be tied to ground. |
| X2 | 121 | O | - | For crystal input When using an oscillator, this pin should be left floating. |
| OSCI | 117 | I | - | A 25MHz clock from an oscillator is fed to this pin. X1 should be tied to ground and X2 should be left floating in this application. If the 25MHz clock is from a crystal via X1 and X2, this pin should be left floating. |
| CK25MOUT | 116 | O | 8 | 25MHz clock output. This pin is used to support an extra 25M clock for an external device (for example: HomePNA PHY). <i>Note: The default status of the 25MHz clock output is disabled. It can be enabled through a register setting.</i> |
| RESET# | 40 | I | - | Active low reset signal. To complete the reset function, this pin must be asserted for at least 1ms. After reset, about 30ms is needed for the RTL8306SD/RTL8306SDM to complete internal test functions and initialization. This pin is a Schmitt input. |
| IBREF | 127 | A | - | Control transmit output waveform Vpp. This pin should be grounded through a 1.96K Ω resistor. |
| VCTRL | 123 | O | 4 | Voltage control to external regulator. This signal controls a power PNP transistor to generate the 1.8V power supply. |
| ITEST1 | 36 | - | - | Reserved pin for internal use. Should be left floating. |
| ITEST2 | 37 | - | - | Reserved pin for internal use. Should be left floating. |
| ITEST3 | 38 | - | - | Reserved pin for internal use. Should be left floating. |
| ITEST4 | 41 | - | - | Reserved pin for internal use. Should be left floating. |
| ITEST5 | 65 | - | - | Reserved pin for internal use. Should be left floating. |
| ITEST6 | 72 | - | - | Reserved pin for internal use. Should be left floating. |
| DTEST2 | 124 | - | - | Reserved pin for internal use. Should be left floating. |
| DTEST1 | 125 | - | - | Reserved pin for internal use. Should be left floating. |

勝特力材料 886-3-5753170
 勝特力电子(上海) 86-21-54151736
 勝特力电子(深圳) 86-755-83298787
[Http://www.100y.com.tw](http://www.100y.com.tw)

6.6. Port LED Pins

Each port has four LED indicator pins. Each pin may have different indicator meanings as set by pins LEDMODE[1:0].

All LED statuses are represented as active-low or high depending on input strapping, except Bi-color Link/Act in Bi-color LED mode, whose polarity depends on Spd status.

Those pins that are dual-function pins are output for LED or input for strapping. Below are LED descriptions only.

Table 7. Port LED Pins

| Pin Name | Pin No. | Type | Drive (mA) | Description |
|------------------|-----------------------------------|-------------------|------------|---|
| LED_DUP[4:0]/... | 95, 99, 105, 110, 115 | I/O _{PU} | 4 | Output After Reset = Used for Group A LED. RTL8306SD/RTL8306SDM controlling LED: LEDMode[1:0]=11 -> Duplex/Col: (On=Full, Off=Half with no collision, Flash=Collision) LEDMode[1:0]=10 -> Duplex/Col: (On=Full, Off=Half with no collision, Flash=Collision) LEDMode[1:0]=01 -> TxAct: (Off=No activity, Flash=Tx activity) LEDMode[1:0]=00 -> Col:(On= Collide, Off= Half with no collision. CPU Controlling LED: On=Corresponding register 1 Off=Corresponding register 0 Input Upon Reset = Refer to Table 9, on page 27, and Table 10, on page 29. |

勝特力材料 886-3-5753170
 勝特力电子(上海) 86-21-54151736
 勝特力电子(深圳) 86-755-83298787
[Http://www.100y.com.tw](http://www.100y.com.tw)

| Pin Name | Pin No. | Type | Drive (mA) | Description |
|------------------|-----------------------------------|-------------------|------------|---|
| LED_SPD[4:0]/... | 93, 98, 104, 109, 114 | I/O _{PU} | 4 | <p>Output After Reset = Used for Group B LEDs. RTL8306SD/RTL8306SDM controlling LED: LEDMode[1:0]=11 -> Speed (On=100, Off=10) LEDMode[1:0]=10 -> Speed (On=100, Off=10) LEDMode[1:0]=01 -> Speed (On=100, Off=10) LEDMode[1:0]=00 -> Speed (On=100, Off=10)</p> <p>CPU Controlled LED. For Single-color LED: On=Corresponding register 1 Off=Corresponding register 0 For Bi-color LED: Displays also depend on pin LED_ADD status. Input Upon Reset = Refer to Table 9, on page 27, and Table 10, on page 29.</p> |
| LED_ACT[4:0]/... | 92, 97, 103, 108, 113 | I/O _{PU} | 4 | <p>Output After Reset = Used for Group C LEDs. RTL8306SD/RTL8306SDM controlling LED: LEDMode[1:0]=11 -> Link/Act: (On=Link, Off=No Link, Flash=Tx or Rx activity) LEDMode[1:0]=10 -> Act: (Off=No activity, Flash=Tx or Rx activity) LEDMode[1:0]=01 -> RxAct: (Off=No activity, Flash=Rx activity) LEDMode[1:0]=00 -> Link/Act: (On=Link, Off=no Link, Flash=Tx or Rx activity)</p> <p>CPU Controlled LED. On=Corresponding register 1 Off=Corresponding register 0 Input Upon Reset = Refer to Table 9, on page 27, and Table 10, on page 29.</p> |
| LED_ADD[4:0]/.. | 91, 96, 101, 107, 111 | I/O _{PU} | 4 | <p>Output After Reset = Used for Group D LEDs. RTL8306SD/RTL8306SDM controlling LED: LEDMode[1:0]=11 -> Link/Act/Spd: On for link established. Blinking every 43ms when the corresponding port is transmitting or receiving at 100Mbps. Blinking every 120ms when the port is transmitting or receiving at 10Mbps. LEDMode[1:0]=10 -> Bi-color Link/Active: polarity depends on Spd status. LEDMode[1:0]=01 -> Link: (On=Link, Off=No Link) LEDMode[1:0]=00 -> LEDMode[1:0]=00 -> Duplex: (On=Full, Off=Half)</p> <p>CPU Controlled LED. For Single-color LED, On=Corresponding register 1 Off=Corresponding register 0 For Bi-color LED, displays also depend on pin LED_SPD status. Input Upon Reset = Refer to Table 9, on page 27, and Table 10, on page 29.</p> |

| Pin Name | Pin No. | Type | Drive (mA) | Description |
|-------------------|---------|-------------------|------------|---|
| LoopLED# /EnDefer | 90 | I/O _{PU} | 4 | <p>Output After Reset = LoopLED# used for LED.</p> <p>If the Loop detection function is enabled, this pin indicates whether a Network loop is detected or not. Otherwise, this pin is of no use.</p> <p>The LED statuses are represented as active-low or high depending on input strapping.</p> <p>=> If Input=1: Output Low active, 0: LED on. Network loop is detected. 1: LED off. No loop.</p> <p>=> If Input=0: Output High active, 1: LED on. Network loop is detected. 0: LED off. No loop.</p> <p>Input Upon Reset = Enable defer</p> <p>1: Enable Carrier Sense Deferring function for half duplex back pressure</p> <p>0: Disable Carrier Sense Deferring function for half duplex back pressure</p> |

6.7. Serial EEPROM and SMI Pins

As the output of the RTL8306SD/RTL8306SDM is 3.3V, the serial EEPROM and external device must be 3.3V compatible.

Table 8. Serial EEPROM and SMI Pins

| Pin Name | Pin No. | Type | Drive (mA) | Description |
|----------|---------|------------------------|------------|---|
| SCL_MDC | 74 | I/O (I _{PU}) | 4 | <p>SCL or MDC.</p> <p>This pin is tri state when pin RESET#=0.</p> <p>When pin EnEEPROM=1, this pin becomes SCL (output) to load the serial EEPROM upon reset. After reset this pin changes to MDC (input).</p> <p>When pin EnEEPROM=0, this pin is MDC (input): 0 to 2.5MHz clock, sourced by an external device to sample MDIO.</p> |
| SDA_MDIO | 75 | I/O (I _{PU}) | 4 | <p>SDA or MDIO.</p> <p>This pin is tri state when RESET#=0.</p> <p>When pin EnEEPROM=1, this pin becomes SDA (input/output) to load the serial EEPROM upon reset. After reset this pin changes to MDIO (input/output). It should be pulled-high by an external resistor.</p> <p>When pin EnEEPROM=0, this pin is MDIO (input/output). It should be pulled-high by an external resistor.</p> |

勝特力材料 886-3-5753170
 勝特力电子(上海) 86-21-54151736
 勝特力电子(深圳) 86-755-83298787
[Http://www.100y.com.tw](http://www.100y.com.tw)

6.8. Strapping Pins

Pins that are dual function pins are outputs for LED or inputs for strapping. Below are strapping descriptions only.

Table 9. Strapping Pins

| Pin Name | Pin No. | Type | Drive (mA) | Description | SMI Accessible | EEPROM Accessible |
|-------------------------|---------|------------------------|------------|---|----------------|-------------------|
| EN_AUTOXOVER | 69 | I (I _{PU}) | - | Enable Auto crossover function. 1: Enable auto crossover detection 0: Disable auto crossover detection. MDI only | √ | √ |
| EN_RST_BLNK | 71 | I (I _{PU}) | - | Enable Reset Blink. This enables blinking of the LEDs upon reset for diagnostic purposes. 1: Enable reset LED blinking 0: Disable reset LED blinking | √ | √ |
| DisTagPri /LED_ADD[4] | 91 | I/O (I _{PU}) | 4 | Input Upon Reset = Disable 802.1p VLAN Tag priority based QoS function. 1: Disable 0: Enable Output After Reset = Used for LED. | √ | √ |
| LED_ACT[4]/ DISHOMEPLUG | 92 | I/O (I _{PU}) | 4 | Input Upon Reset = DISHOMEPLUG. 1: Disable HOMEPLUG. Use input RXDV as CRS of Port4MII 0: Enable HOMEPLUG. Use input pin 48 P4FULL as CRS of Port4MII Output After Reset = Used for LED. | √ | √ |
| DISVLAN /LED_SPD[4] | 93 | I/O (I _{PU}) | 4 | Input Upon Reset = Disable VLAN function. 1: Disable VLAN 0: Enable VLAN. The default VLAN membership configuration by internal register is port 4 overlapped with all the other ports, to form 4 individual VLANs. This default membership configuration may be modified by internal registers via the SMI interface or EEPROM Output After Reset = Used for LED. | √ | √ |
| En48pass1 /LED_ACT[3] | 97 | I/O (I _{PU}) | 4 | Input Upon Reset = Enable 48 pass 1. 1: 48 pass 1. Continuously collides 48 input packets then passes 1 packet to retain system resources and avoid partition in the repeater when the packet buffer is full 0: Continuously collides to avoid packet loss when the packet buffer is full Output After Reset = Used for LED. | √ | √ |

| Pin Name | Pin No. | Type | Drive (mA) | Description | SMI Accessible | EEPROM Accessible |
|--------------------------|---------|---------------------------|------------|---|----------------|-------------------|
| DisARP /LED_SPD[3] | 98 | I/O (I _{PU}) | 4 | Input Upon Reset = Disable ARP broadcast to all VLANs. 1: Disables ability to broadcast ARP broadcast packets to all VLANs 0: Enables ability to broadcast ARP broadcast packets to all VLANs ARP broadcast frame: DID is all F. Output After Reset = Used for LED. | √ | √ |
| DisLeaky /LED_ADD[2] | 101 | I/O (I _{PU}) | 4 | Input Upon Reset = Disable Leaky VLAN. 1: Disable forwarding of unicast frames to other VLANs 0: Enable forwarding of unicast frames to other VLANs Broadcast and multicast frames adhere to the VLAN configuration. Output After Reset = Used for LED. | √ | √ |
| EnForward /LED_ADD[0] | 111 | I/O (I _{PU}) | 4 | Input Upon Reset = Enable to forward 802.1D specified reserved multicast addresses frame. 1: Forward reserved control frames, with DID=01-80-C2-00-00-04 to 01-80-C2-00-00-0F 0: Filter reserved control packets, with DID=01-80-C2-00-00-04 to 01-80-C2-00-00-0F Output After Reset = Used for LED. | √ | √ |
| BCInDrop /LED_ACT[0] | 113 | I/O (I _{PU}) | 4 | Input Upon Reset = Broadcast Input Drop. 1: Use Broadcast Input drop mechanism 0: Use Broadcast Output drop mechanism Output After Reset = Used for LED. | √ | √ |
| Max1536 /LED_SPD[0] | 114 | I/O (I _{PU}) | 4 | Input Upon Reset = Maximum Frame Length. 1: 1536 Bytes 0: 1552 Bytes Output After Reset = Used for LED. | √ | √ |
| LED_DUP[0] | 115 | I/O (I _{PU}) | 4 | Input Upon Reset. 1: Port 0 in UTP mode 0: Reserved Output After Reset = Used for LED. | N/A | N/A |

勝特力材料 886-3-5753170
勝特力电子(上海) 86-21-54151736
勝特力电子(深圳) 86-755-83298787
[Http://www.100y.com.tw](http://www.100y.com.tw)

6.9. Port Status Strapping Pins

Pins that are dual function pins are outputs for LEDs or inputs for strapping. Below are strapping descriptions only.

Table 10. Port Status Strapping Pins

| Pin Name | Pin No. | Type | Drive (mA) | Description | SMI Accessible | EEPROM accessible |
|----------------------|---------|-------|------------|--|----------------|-------------------|
| SetGroup /LED_DUP[4] | 95 | I/OPU | 4 | Input Upon Reset = Set group of port 1. 1: Port 0 is group X. Port 1, 2, and 3 are group Y 0: Port 0, and 1 are group X. Port 2, and 3 are group Y Output After Reset = Used for LED. | N/A | N/A |
| Modeset1 /LED_ADD[3] | 96 | I/OPU | 4 | Input Upon Reset = Modeset1. See Table 3, page 9, for details. Output After Reset = Used for LED. | N/A | N/A |
| Modeset0 /LED_DUP[3] | 99 | I/OPU | 4 | Input Upon Reset = Modeset0. Output After Reset = Used for LED. | N/A | N/A |
| P4ANEG /LED_ACT[2] | 103 | I/OPU | 4 | Input Upon Reset = Port 4 Auto-Negotiation ability. 1: Enable auto-negotiation (NWAY mode) 0: Disable auto-negotiation (Force mode) Upon reset, this pin sets Reg.0.12 of Port 4. Strap after reset for initial value of Port 4 UTP mode only. This pin is not used for MAC mode MII, PHY mode MII. Output After Reset = Used for LED. | √ | √ |
| GxANEG /LED_SPD[2] | 104 | I/OPU | 4 | Input Upon Reset = GroupX Auto-Negotiation ability. 1: Enable auto-negotiation (NWAY mode) 0: Disable auto-negotiation (Force mode) Upon reset, this pin sets Reg.0.12 of Group X. Strap after reset for initial value of UTP mode only. Output After Reset = Used for LED. | √ | √ |
| GyANEG /LED_DUP[2] | 105 | I/OPU | 4 | Input Upon Reset = GroupY Auto-Negotiation ability. 1: Enable auto-negotiation (NWAY mode) 0: Disable auto-negotiation (Force mode) Upon reset, this pin sets Reg.0.12 of Group Y. Strap after reset for initial value of UTP mode only. Output After Reset = Used for LED. | √ | √ |

勝特力材料 886-3-5753170
勝特力电子(上海) 86-21-54151736
勝特力电子(深圳) 86-755-83298787
[Http://www.100y.com.tw](http://www.100y.com.tw)

| Pin Name | Pin No. | Type | Drive (mA) | Description | SMI Accessible | EEPROM accessible |
|----------------------|---------|-------------------|------------|--|----------------|-------------------|
| GxSpd100 /LED_ADD[1] | 107 | I/O _{PU} | 4 | <p>Input Upon Reset = GroupX 10Base-T/100Base-TX ability.</p> <p>GxSpd100: 1, GxFull=1 => MII Reg0.13=1, 0.8=1, 4.8=1, 4.7=1, 4.6=1, 4.5=1</p> <p>GxSpd100: 1, GxFull=0 => MII Reg0.13=1, 0.8=0, 4.8=0, 4.7=1, 4.6=1, 4.5=1</p> <p>GxSpd100: 0, GxFull=1; => MII Reg0.13=0, 0.8=1, 4.8=0, 4.7=0, 4.6=1, 4.5=1</p> <p>GxSpd100: 0, GxFull=0; => MII Reg0.13=0, 0.8=0, 4.8=0, 4.7=0, 4.6=0, 4.5=1</p> <p>Upon reset, this pin sets Reg.0.13. In addition, upon reset, this pin and GxFull also sets Reg.4.8/4.7/4.6/4.5. Strap after reset for initial value of Group X UTP mode only.</p> <p>Output After Reset = Used for LED.</p> | √ | √ |
| GySpd100 /LED_ACT[1] | 108 | I/O _{PU} | 4 | <p>Input Upon Reset = GroupY 10Base-T/100Base-TX ability</p> <p>GySpd100: 1, GyFull=1 => MII Reg0.13=1, 0.8=1, 4.8=1, 4.7=1, 4.6=1, 4.5=1</p> <p>GySpd100: 1, GyFull=0 => MII Reg0.13=1, 0.8=0, 4.8=0, 4.7=1, 4.6=1, 4.5=1</p> <p>GySpd100: 0, GyFull=1; => MII Reg0.13=0, 0.8=1, 4.8=0, 4.7=0, 4.6=1, 4.5=1</p> <p>GySpd100: 0, GyFull=0; => MII Reg0.13=0, 0.8=0, 4.8=0, 4.7=0, 4.6=0, 4.5=1</p> <p>Upon reset, this pin sets Reg.0.13. In addition, upon reset, this pin and GyFull also sets Reg.4.8/4.7/4.6/4.5. Strap after reset for initial value of Group Y UTP mode only.</p> <p>Output After Reset = Used for LED.</p> | √ | √ |
| GxFull /LED_SPD[1] | 109 | I/O _{PU} | 4 | <p>Input Upon Reset = GroupX Full Duplex ability.</p> <p>Upon reset, this pin sets the default value of Reg.0.8. In addition, on reset, this pin also sets NWay full-duplex ability on Reg.4.8 and Reg.4.6. Strap after reset for initial value of Group X UTP mode.</p> <p>Output After Reset = Used for LED.</p> | √ | √ |
| GyFull /LED_DUP[1] | 110 | I/O _{PU} | 4 | <p>Input Upon Reset = GroupY Full Duplex ability.</p> <p>Upon reset, this pin sets the default value of Reg.0.8. On reset, this pin also sets NWay full-duplex ability on Reg.4.8 and Reg.4.6.</p> <p>Strap after reset for initial value of Group Y UTP mode.</p> <p>Output After Reset = Used for LED.</p> | √ | √ |

勝特力材料 886-3-5753170
勝特力电子(上海) 86-21-54151736
勝特力电子(深圳) 86-755-83298787
[Http://www.100y.com.tw](http://www.100y.com.tw)

6.10. Power Pins

Table 11. Power Pins

| Pin Name | Pin No. | Type | Drive (mA) | Description |
|----------|---|------|------------|---------------------|
| AVDD18 | 1, 7, 8, 14, 15, 21, 22, 28, 29, 35, 119, 128 | P | - | 1.8V Analog Power. |
| HVDD33 | 118 | P | - | 3.3V Analog Power. |
| AGND | 4, 11, 18, 25, 32, 122, 126 | P | - | Analog Ground. |
| DVDD18 | 43, 53, 70, 100 | P | - | 1.8V Digital Power. |
| DVDD33 | 62, 87, 106 | P | - | 3.3V Digital Power. |
| DGND | 39, 50, 64, 79, 94, 102, 112 | P | - | Digital Ground. |

勝特力材料 886-3-5753170
胜特力电子(上海) 86-21-54151736
胜特力电子(深圳) 86-755-83298787
[Http://www.100y.com.tw](http://www.100y.com.tw)

7. Basic Functional Description

7.1. Switch Core Function Overview

7.1.1. Dual MII/RMII

7.1.1.1 Description

The RTL8306SD/RTL8306SDM supports two MII/RMII interfaces to work with various routing engines, and one MII/RMII interface to work with HomePNA, HomePlug, or VDSL transceivers, as shown in Figure 3, page 33.

The RTL8306SD/RTL8306SDM support a Dual MII/RMII interface for external devices to connect to the 6th MAC, 5th MAC, and 5th PHY. The external device could be a routing engine, HomePNA, HomePlug, or VDSL transceiver depending on the application.

The 5th PHY also supports external MII or RMII interface pins for connection to an external MAC.

Note: 'MII/RMII 1' signal pins are used only by MAC4. The 'MII/RMII 2' signal pins are used by PHY4 or MAC5.

勝特力材料 886-3-5753170
勝特力电子(上海) 86-21-54151736
勝特力电子(深圳) 86-755-83298787
[Http://www.100y.com.tw](http://www.100y.com.tw)

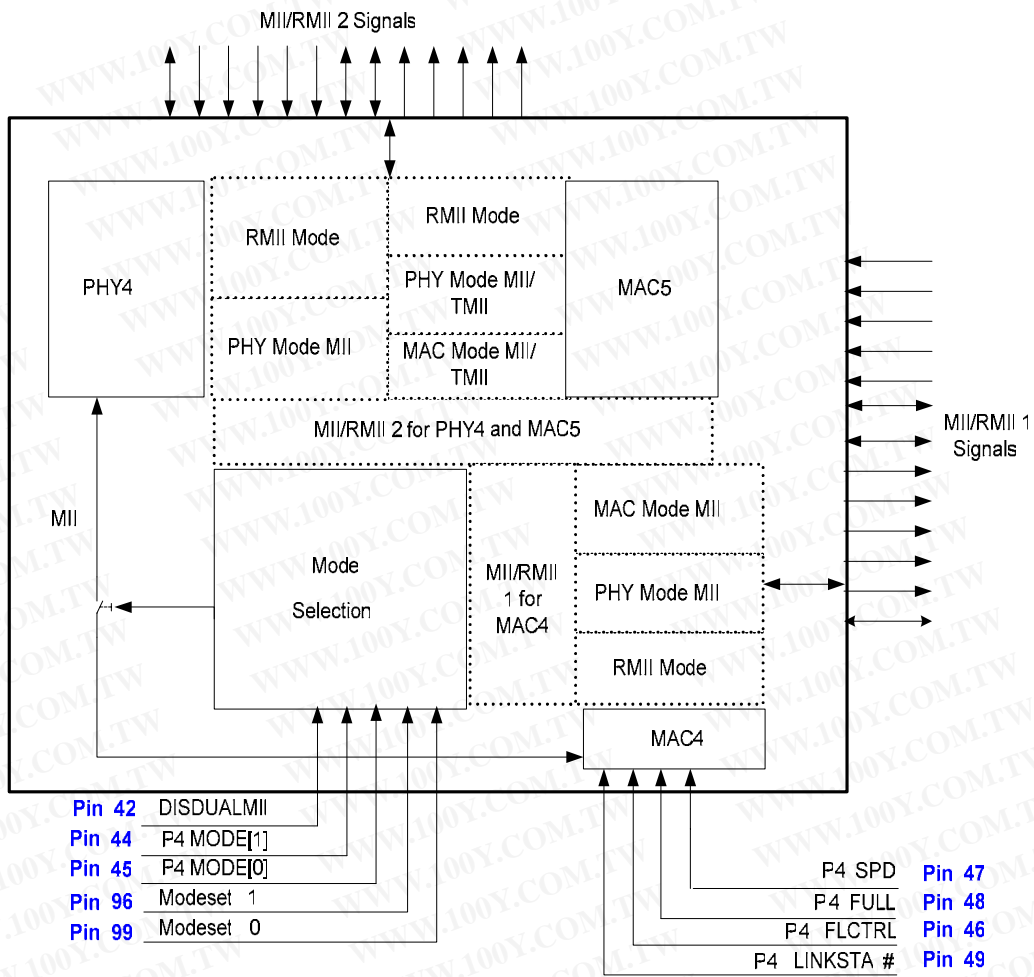


Figure 3. DUAL MII/RMII Diagram

7.1.1.2 Dual MII/RMII Mode Configuration

Dual MII/RMII interfaces of the RTL8306SD/RTL8306SDM support various operating modes. Table 12 lists the available modes.

'1' indicates that upon reset this pin is pull-high. '0' indicates that upon reset this pin is pull-down. 'X' indicates not supported.

勝特力材料 886-3-5753170
 勝特力电子(上海) 86-21-54151736
 勝特力电子(深圳) 86-755-83298787
[Http://www.100y.com.tw](http://www.100y.com.tw)

Table 12. DUALMII/RMII Mode Configuration Table

| Pin 42 | Pin 44 | Pin 45 | Pin 96 | Pin 99 | Operating Mode |
|---------------------------|------------------------|------------------------|------------------------|------------------------|--|
| DIS DUALMII Default: 1 | P4 MODE1 Default: 1 | P4 MODE0 Default: 1 | Modeset1 Default: 1 | Modeset0 Default: 1 | |
| 1 | 1 | 1 | X | X | Port 4 is UTP or MAC4 in MAC Mode MI. MII/RMII2 not used. <i>See Note 1.</i> |
| 1 | 1 | 0 | X | X | Reserved. |
| 1 | 0 | 1 | X | X | MAC4 in PHY Mode MII MII/RMII2 not used. |
| 0 | 0 | 1 | X | X | MAC4 in PHY Mode MII, and PHY4 in PHY Mode MII. <i>See Note 2.</i> |
| 0 | 1 | 1 | X | X | MAC4 in MAC Mode MII, and PHY4 in PHY Mode MII. <i>See Note 2.</i> |
| 1 | 0 | 0 | 1 | 1 | MAC4 in RMII. MII/RMII 2 not used. |
| 0 | 0 | 0 | 1 | 1 | MAC4 in RMII, and PHY4 in RMII (UTP) <i>See Note 2.</i> |
| 0 | 0 | 0 | 1 | 0 | MAC5 in PHY Mode MII, and MAC4 in PHY Mode MII. |
| 0 | 0 | 0 | 0 | 1 | MAC5 in PHY Mode MII, and MAC4 in RMII. |
| 0 | 0 | 0 | 0 | 0 | MAC5 in RMII, and MAC4 in RMII. |
| 0 | 1 | 0 | 1 | 1 | Port 4 UTP/MAC4 in MAC Mode MII, and MAC5 in MAC Mode MII. <i>See Note 3.</i> |
| 0 | 1 | 0 | 0 | 1 | Port 4 UTP/MAC 4 MAC Mode MII; And MAC 5 in PHY Mode MII. <i>See Note 3.</i> |
| 0 | 1 | 0 | 0 | 0 | Port 4 UTP/MAC 4 MAC Mode MII And MAC5 in RMII Mode. <i>See Note 3.</i> |

Note 1: When in this mode, if port 4 is connected with UTP, then the operating mode is Port 4UTP; If port 4 is not connected with UTP and P4LINKSTA# tied to ground, then the operating mode is MAC 4 in MAC mode MII.

Note 2: When in these modes, PHY 4 MII is enabled and Pin 68 is used to select the operating mode of the port 4 differential pair: upon reset pin 68 is pulled-high and PHY 4 can be connected with UTP.

Note 3: When in this configuration, 3 modes can be further distinguished by the following rules:

- 1. If port 4 is connected with UTP, and Pin 68 is pulled-high (default: pulled-high) upon reset, then port 4 is a UTP port.*
- 2. If MAC4 in MAC mode is needed, Pin P4LINKSTA# should be tied to ground and port 4 should not be connected with UTP.*

7.1.1.3 *Port4 (5th Port) and Port5 (6th MAC) Status Configuration*

The RTL8306SD/RTL8306SDM supports flexible methods to configure Port4 (5th Port) and MAC5 (6th MAC) NWAY/Force mode, 10Mbps/100Mbps, Full/Half duplex, and Enable/Disable Flow control.

- When MAC4 (5th MAC) is in MAC mode MII, PHY mode MII, or RMII mode, these operating abilities can be configured by strapping pins (P4ANEG, P4SPD, P4DUP, and P4FLCTRL) upon reset according to application.
- When MAC5 (6th MAC) is needed in system applications, the operating abilities should be configured by writing the register after setting the correct DUALMII/RMII operating mode.
- When MAC5 is enabled, the default status is: Not linked, 100Mbps, Full duplex, flow control enabled.

7.1.2. **Port0, 1, 2, 3 Status Configuration**

The 4 ports are separated into 2 groups (GroupX/GroupY) for flexible port configuration using strapping pins upon reset. The SetGroup pin is used to select the port numbers for GroupX and GroupY.

- SetGroup=1: GroupX = Port0; GroupY = Ports 1, 2, and 3.
- SetGroup=0: GroupX = Ports 0 and 1; GroupY = Ports 2 and 3).

Each group has four pins for selecting initial port status upon reset (ANEG/Force, 100/10, Full/Half, Enable/Disable Flow Control). Upon reset, in addition to using strapping pins, the RTL8306SD/RTL8306SDM can be configured via an EEPROM, or read/write operation by a CPU via the MDC/MDIO interface.

7.1.3. **Flow Control**

The RTL8306SD/RTL8306SDM supports IEEE 802.3x full duplex flow control, force mode full duplex flow control, and optional half duplex back pressure.

7.1.3.1 *IEEE 802.3x Full Duplex Flow Control*

For UTP with auto-negotiation ability (GxANeg/GyANeg/P4Aneg set to 1), the pause ability (Reg.4.10) of full duplex flow control is enabled by pins GxEnFC/GyEnFC/P4EnFC on a group basis upon reset, or internal registers via SMI on a per-port basis after reset. For UTP with auto-negotiation ability, IEEE 802.3x flow control's ability is auto-negotiated between the remote device and the RTL8306SD/RTL8306SDM. If the auto-negotiation result of the IEEE 802.3x pause ability is 'Enabled' (Reg.4.10: 1 and Reg.5.10: 1), the full duplex 802.3x flow control function is enabled. Otherwise, the full duplex IEEE 802.3x flow control function is disabled.

7.1.3.2 Force Mode Full Duplex Flow Control

For UTP without auto-negotiation ability (GxANeg/GyANeg/P4Aneg is 0), IEEE 802.3x flow control's ability can be set to 'Enabled' by pins GxEnFC/GyEnFC/P4EnFC on a group basis upon reset, or by internal registers (Reg.5.10) via SMI on a per-port basis after reset. For example:

- Port 4 will be forced to '10Full UTP with forced mode full duplex flow control' ability, regardless of the connected device, when P4Mode[1:0]=10, P4Aneg=0, P4Spd100=0, P4Full=1, P4EnFC=1.
- Port 0 will be forced to 'forced mode full duplex flow control' ability, regardless of the connected device, when SetGroup=1, GxFull=1, GxEnFC=1.

Regardless of the flow control mode (IEEE 802.3x full duplex flow control, or forced mode full duplex flow control), when full duplex flow control is enabled, the RTL8306SD/RTL8306SDM will only recognize IEEE 802.3x flow control PAUSE ON/OFF frames with DA=01-80-C2-00-00-01, type=0x8808, OP-code=0x01, PAUSE Time = maximum to zero, and with a good CRC.

If a PAUSE frame is received from any PAUSE flow control enabled port set to DA=01-80-C2-00-00-01, the corresponding port of the RTL8306SD/RTL8306SDM will stop its packet transmission until the PAUSE timer times out or another PAUSE frame with zero PAUSE time is received. The RTL8306SD/RTL8306SDM will not forward any IEEE 802.3x PAUSE frames received from any port.

7.1.3.3 Half Duplex Back Pressure

If pin EnDefer is 1, the RTL8306SD/RTL8306SDM will send a preamble to defer the other station's transmission when there is no packet to send. Otherwise, if pin EnDefer is 0, the RTL8306SD/RTL8306SDM will force a collision with the other station's transmission when the buffer is full.

- If pin 48pass1 is 0, the RTL8306SD/RTL8306SDM will always collide with JAM (Continuous collision).
- If pin 48pass1 is 1, the RTL8306SD/RTL8306SDM will try to forward one packet successfully after 48 forced collisions (48pass1), to avoid the connected repeater being partitioned due to excessive collisions.

7.1.3.4 NWay Mode

For UTP with auto-negotiation ability, pins GxEnFC/GyEnFC/P4EnFC are effective only in full duplex mode. Therefore, for UTP in half duplex mode, half duplex back pressure flow control is controlled by the ENBKPRS pin strap upon hardware reset.

7.1.3.5 Force Mode

For UTP without auto-negotiation ability, the operation mode can be forced to half duplex. Half duplex back pressure flow control can be forced to 'enabled' on the RTL8306SD/RTL8306SDM side by pin GxEnFC/GyEnFC/P4EnFC on a group basis upon reset.

7.1.4. Address Search, Learning, and Aging

When a packet is received, the RTL8306SD/RTL8306SDM will use the bits of the destination MAC address to index the 2048-entry lookup table, and at the same time compare the destination MAC address with the contents of the 16-entry CAM. If the indexed entry is valid, or the CAM comparison is matched, the received packet will be forwarded to the corresponding destination port. Otherwise, the RTL8306SD/RTL8306SDM will broadcast the packet. This is the 'Address Search'.

The RTL8306SD/RTL8306SDM then extracts the specific bits of the source MAC address to index the 2048-entry lookup table. If the entry is not in the table it will record the source MAC address and add switching information. If this is an occupied entry, it will update the entry with new information. This is called 'Learning'. If the indexed location has been occupied by a different MAC address (hash collision), the new source MAC address will be recorded into the 16-entry CAM. The 16-entry CAM reduces address hash collisions and improves switching performance.

Address aging is used to keep the contents of the address table correct in a dynamic network topology. The lookup engine will update the time stamp information of an entry whenever the corresponding source MAC address appears. An entry will be invalid (aged-out) if its time stamp information is not refreshed by the address learning process during the aging time period. The aging time of the RTL8306SD/RTL8306SDM is between 200 and 350 seconds.

勝特力材料 886-3-5753170
勝特力电子(上海) 86-21-54151736
勝特力电子(深圳) 86-755-83298787
[Http://www.100y.com.tw](http://www.100y.com.tw)

7.1.5. Half Duplex Operation

In half duplex mode, the CSMA/CD media access method is the means by which two or more stations share a common transmission medium. To transmit, a station waits (defers) for a quiet period on the medium (that is, no other station is transmitting) and then sends the intended message in bit-serial form. If the message collides with that of another station, then each transmitting station intentionally transmits for an additional predefined period to ensure propagation of the collision throughout the system. The station remains silent for a random amount of time (backoff) before attempting to transmit again.

When a transmission attempt has terminated due to a collision, it is retried until it is successful. A controlled randomization process called ‘truncated binary exponential backoff’ determines the scheduling of the retransmissions. At the end of enforcing a collision (jamming), the switch delays before attempting to retransmit the frame. The delay is an integer multiple of slotTime (512 bit times). The number of slot times to delay before the n^{th} retransmission attempt is chosen as a uniformly distributed random integer ‘r’ in the range:

$$0 \leq r < 2^k$$

where:

$k = \min(n, \text{backoffLimit})$. IEEE 802.3 defines the backoffLimit as 10.

7.1.6. InterFrame Gap

The InterFrame Gap is 9.6 μ s for 10Mbps Ethernet and 960ns for 100Mbps Fast Ethernet.

7.1.7. Illegal Frame

Illegal frames such as CRC error packets, runt packets (length < 64 bytes), and oversize packets (length > maximum length), will be discarded.

勝特力材料 886-3-5753170
勝特力电子(上海) 86-21-54151736
勝特力电子(深圳) 86-755-83298787
[Http://www.100y.com.tw](http://www.100y.com.tw)

7.2. Physical Layer Functional Overview

7.2.1. Auto-Negotiation for UTP

The RTL8306SD/RTL8306SDM obtains the states of duplex, speed, and flow control ability for each port in UTP mode through the auto-negotiation mechanism defined in the IEEE 802.3u specifications. During auto-negotiation, each port advertises its ability to its link partner and compares its ability with advertisements received from its link partner. By default, the RTL8306SD/RTL8306SDM advertises full capabilities (100Full, 100Half, 10Full, 10Half) together with flow control ability.

7.2.2. 10Base-T Transmit Function

The output 10Base-T waveform is Manchester-encoded before it is driven onto the network media. The internal filter shapes the driven signals to reduce EMI emissions, eliminating the need for an external filter.

7.2.3. 10Base-T Receive Function

The Manchester decoder converts the incoming serial stream to NRZ data when the squelch circuit detects the signal level is above squelch level.

7.2.4. Link Monitor

The 10Base-T link pulse detection circuit continually monitors the RXIP/RXIN pins for the presence of valid link pulses. Auto-polarity is implemented to correct the detected reverse polarity of RXIP/RXIN signal pairs.

7.2.5. 100Base-TX Transmit Function

The 100Base-TX transmit function performs parallel to serial conversion, 4B/5B coding, scrambling, NRZ/NRZI conversion, and MLT-3 encoding. The 5-bit serial data stream after 4B/5B coding is then scrambled as defined by the TP-PMD Stream Cipher function to flatten the power spectrum energy such that EMI effects are significantly reduced.

The scrambled seed is based on PHY addresses and is unique for each port. After scrambling, the bit stream is driven into the network media in the form of MLT-3 signaling. The MLT-3 multi-level signaling technology moves the power spectrum energy from high frequency to low frequency, which further reduces EMI emissions.

7.2.6. 100Base-TX Receive Function

The receive path includes a receiver composed of an adaptive equalizer and DC restoration circuits (to compensate for an incoming distorted MLT-3 signal), an MLT-3 to NRZI and NRZI to NRZ converter to convert analog signals to digital bit-stream, and a PLL circuit to clock data bits with minimum bit error rate. A De-scrambler, 5B/4B decoder, and serial-to-parallel conversion circuits are followed by the PLL circuit. Finally, the converted parallel data is fed into the MAC.

7.2.7. Power-Down Mode

The RTL8306SD/RTL8306SDM implements power-down mode on a per-port basis. Setting MII Reg.0.11 forces the corresponding port of the RTL8306SD/RTL8306SDM to enter power-down mode. This disables all transmit/receive functions, except SMI (Serial Management Interface: MDC/MDIO, also known as MII Management Interface).

7.2.8. Crossover Detection and Auto Correction

During the link setup phase, the RTL8306SD/RTL8306SDM checks whether it receives active signals on every port in order to determine if a connection can be established. In cases where the receiver data pin pair is connected to the transmitter data pin pair of the peer device and vice versa, the RTL8306SD/RTL8306SDM automatically changes its configuration and swaps receiver/transmitter data pins as required. If a port is connected to a PC or NIC with MDI-X interface with a crossover cable, the RTL8306SD/RTL8306SDM will reconfigure the port to ensure proper connection. This replaces the DIP switch commonly used for reconfiguring a port on a hub or switch.

By pulling-up EN_AUTOXOVER, the RTL8306SD/RTL8306SDM identifies the type of connected cable and sets the port to MDI or MDIX:

- When switching to MDI mode, the RTL8306SD/RTL8306SDM uses TXOP/N as transmit pairs.
- When switching to MDIX mode, the RTL8306SD/RTL8306SDM uses RXIP/N as transmit pairs.

This function is port-based. Pulling-down EN_AUTOXOVER disables this function and the RTL8306SD/RTL8306SDM operates in MDI mode, in which TXOP/N represents transmit pairs, and RXIP/N represents receive pairs.

Note: IEEE 802.3 compliant forced mode 100M ports with Autoxover have link problems with NWay (Auto-Negotiation) ports. It is recommended to not use Autoxover for forced 100M.

7.2.9. Polarity Detection and Correction

For better noise immunity and lower interference to ambient devices, the Ethernet electrical signal on a twisted-pair cable is transmitted in differential form. That is, the signal is transmitted on two wires in each direction with inverse polarities (+/-). If wiring on the connector is faulty, or a faulty transformer is used, the two inputs to a transceiver may carry signals with opposite but incorrect polarities. As a direct consequence, the transceiver will not work properly.

When the RTL8306SD/RTL8306SDM operates in 10Base-T mode, it automatically reverses the polarity of its two receiver input pins if it detects that the polarities of the incoming signals on the pins is incorrect. However, this feature is unnecessary when the RTL8306SD/RTL8306SDM is operating in 100Base-TX mode.

勝特力材料 886-3-5753170
勝特力电子(上海) 86-21-54151736
勝特力电子(深圳) 86-755-83298787
[Http://www.100y.com.tw](http://www.100y.com.tw)

7.3. General Function Overview

7.3.1. Reset

Depending on the type of reset, the whole or just part of the RTL8306SD/RTL8306SDM is initialized. There are several ways to reset the RTL8306SD/RTL8306SDM:

- Hardware reset for the whole chip by pin RESET#
- Soft reset for all except PHY by register SoftReset
- PHY software reset for each PHY by register reset

Hardware Reset: Pull low Pin RESET# for at least 10ms. The RTL8306SD/RTL8306SDM resets the whole chip and then gets initial values from pins and serial EEPROM.

Soft Reset: The RTL8306SD/RTL8306SDM does not reset PHY and does not load EEPROM and Pin Registers with serial EEPROM and Pins. Only after changing the queue number via SMI (Serial Management Interface), the external device must perform a soft reset in order to update the configuration.

PHY Software Reset: Write bit15 of Reg0 of a PHY as 1. The RTL8306SD/RTL8306SDM will then reset this PHY.

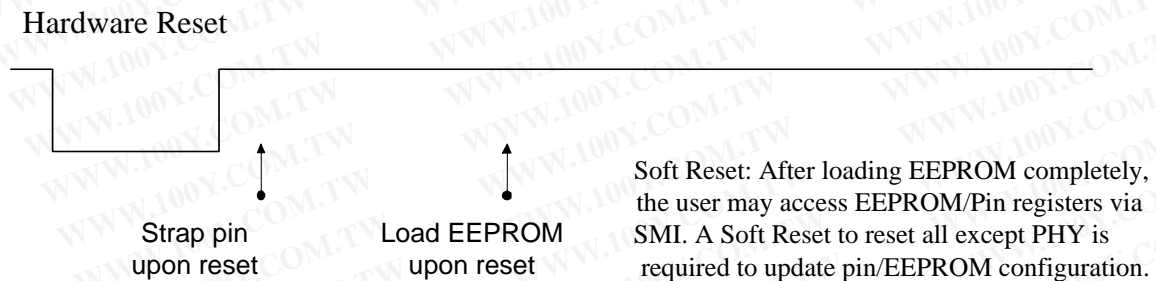


Figure 4. Reset

Some setting values for operation modes are latched from those corresponding mode pins upon hardware reset. ‘Upon reset’ is defined as a short time after the end of a hardware reset. Other advanced configuration parameters may be latched from serial EEPROM if pin EnEEPROM=1.

勝特力材料 886-3-5753170
 勝特力电子(上海) 86-21-54151736
 勝特力电子(深圳) 86-755-83298787
[Http://www.100y.com.tw](http://www.100y.com.tw)

7.3.2. Setup and Configuration

The RTL8306SD/RTL8306SDM can be configured easily and flexibly by hardware pins upon reset, optional serial EEPROM upon reset (Please contact Realtek to get the detailed EEPROM configuration settings), and internal registers (including PHY registers for each port and global MAC registers) via SMI (Serial Management Interface: MDC/MDIO, also known as MII Management Interface). There are three methods of configuration:

- Only hardware pins for normal switch applications
- Hardware pins and serial EEPROM for advanced switch applications
- Hardware pins and internal registers via SMI for applications with processor

Three types of pins, each with internal pull-high resistors, are used for configuration:

- Input pins used for strapping upon reset (unused after reset)
- Input/Output pins (MTXD[3:2]/PRXD[3:2]/P4IRTag[1:0], MTXD[1:0]/PRXD[1:0]/LEDMode[1:0]) used for strapping upon reset and used as output pins after reset
- Input/Output pins (all LEDs) used for strapping upon reset and used as LED indicator pins after reset. The LED statuses are represented as active-low or high depending on input strapping, except Bi-color Link/Act in Bi-color LED mode, whose polarity depends on Spd status

Pins with default value=1 are internal pull-high and use I/O pads. They can be left floating to set the input value as high, but should not be connected to GND without a pull-down resistor.

The serial EEPROM shares two pins, SCL_MDC and SDA_MDIO, with SMI, and is optional for advanced configuration. SCL_MDC and SDA_MDIO are tri-state during hardware reset (pin RESET#=0). The RTL8306SD/RTL8306SDM will try to automatically find the serial EEPROM upon reset only if pin EnEEPROM=1. If the first byte of the serial EEPROM is not 0xFF (NoEEPROM bit of the first byte=0), the RTL8306SD/RTL8306SDM will load all contents of the serial EEPROM into internal registers. Otherwise, the RTL8306SD/RTL8306SDM will use the default internal values.

Internal registers can still be accessed after reset via SMI (pin SCL_MDC and SDA_MDIO). Serial EEPROM signals and SMI signals must not exist at the same time. In order to use the SMI to flexibly change configuration, internal registers include the contents of some pins and all serial EEPROM. These registers do not work in real time, and a Soft Reset is necessary after changing the EEPROM or pin registers.

7.3.3. Serial EEPROM Example: 24LC01/02/04

The 24LC01/02/04 interface is a 2-wire serial EEPROM interface providing 1K/2K/4K bits of storage space. The 24LC01/02/04 must be 3.3V compatible.

7.3.3.1 24LC02/04 Device Operation

Clock and Data Transitions: The SDA pin is normally pulled high with an external resistor. Data on the SDA pin may change only during SCL low time periods. Data changes during SCL high periods will indicate a start or stop condition as defined below.

Start Condition: A high-to-low transition of SDA with SCL high is the start condition and must precede any other command.

Stop Condition: A low-to-high transition of SDA with SCL high is a stop condition.

Acknowledge: All addresses and data are transmitted serially to and from the EEPROM in 8-bit words. The 24LC01/02/04 sends a zero to acknowledge that it has received each word. This happens during the ninth clock cycle.

Random Read: A random read requires a ‘dummy’ byte write sequence to load in the data word address.

Sequential Read: For the RTL8306SD/RTL8306SDM, the sequential reads are initiated by a random address read. After the 24LC01/02/04 receives a data word, it responds with an acknowledgement. As long as the 24LC01/02/04 receives an acknowledgement, it will continue to increment the data word address and clock out sequential data words in series.

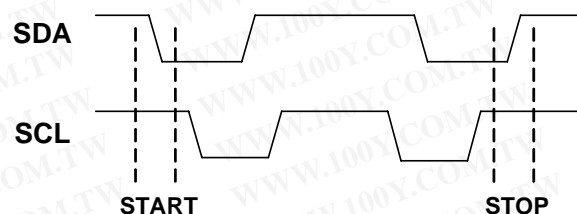
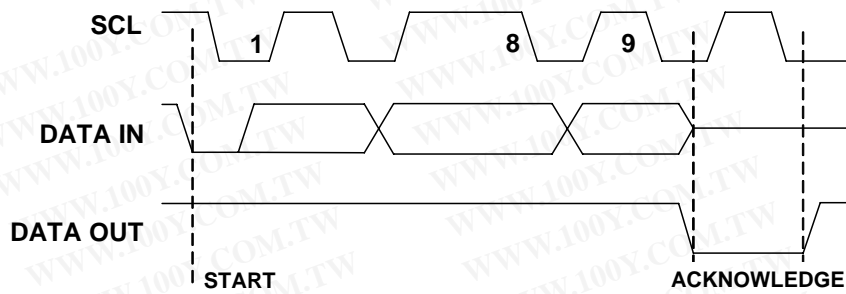
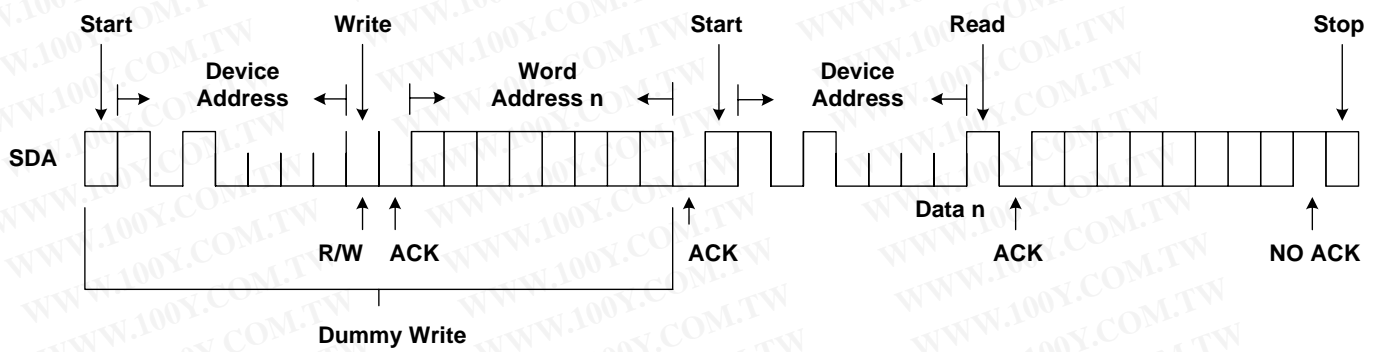
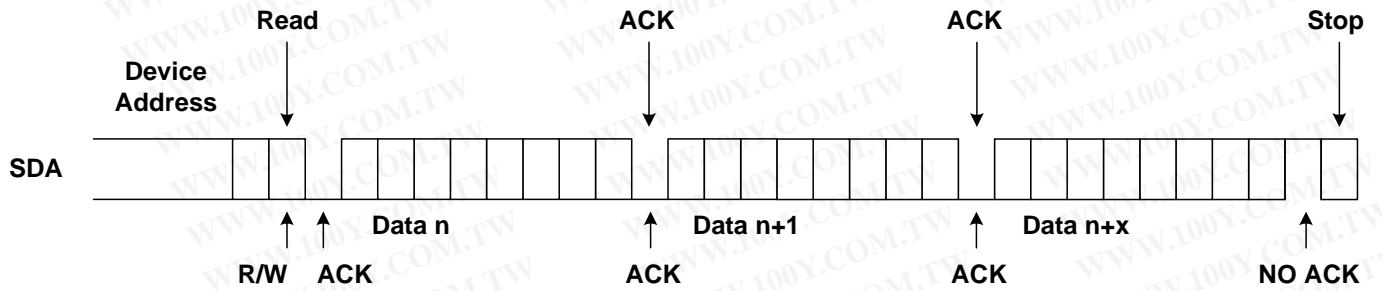


Figure 5. Start and Stop Definition

勝特力材料 886-3-5753170
 勝特力电子(上海) 86-21-54151736
 勝特力电子(深圳) 86-755-83298787
[Http://www.100y.com.tw](http://www.100y.com.tw)


Figure 6. Output Acknowledge

Figure 7. Random Read

Figure 8. Sequential Read

勝特力材料 886-3-5753170
 勝特力电子(上海) 86-21-54151736
 勝特力电子(深圳) 86-755-83298787
[Http://www.100y.com.tw](http://www.100y.com.tw)

7.3.3.2 EEPROM Size Selection

The RTL8306SD/RTL8306SDM supports three serial EEPROM sizes —1k bits, 2k bits and 4k bits. Via the auto-download operation, the RTL8306SD/RTL8306SDM decides the size of the data downloaded to the RTL8306SD/RTL8306SDM from the EEPROM according to the value of bit 4 and bit 3 of the 77th byte data in the serial EEPROM.

If the bits 77. [4:3] = 11, it is reserved mode; if the bits 77. [4:3] = 10, 01, or 00, it means the data size is 4k bits, 2k bits, or 1k bits respectively. The value of the two bits should accord with the actual EEPROM data size. For example, the value of the bits 77. [4:3] can not be ‘10’ when the 24LC02 is used.

7.3.4. SMI

The SMI (Serial Management Interface) is also known as the MII Management Interface, and consists of two signals (MDIO and MDC). It allows external devices with SMI master mode (MDC is output) to control the state of the PHY and internal registers (SMI slave mode: MDC is input). MDC is an input clock for the RTL8306SD/RTL8306SDM to latch MDIO on its rising edge. The clock can run from DC to 2.5MHz. MDIO is a bi-directional connection used to write data to, or read data from the RTL8306SD/RTL8306SDM. The PHY address is from 0 to 6.

Table 13. SMI Read/Write Cycles

| | Preamble (32 bits) | Start (2 bits) | OP Code (2 bits) | PHYAD (5 bits) | REGAD (5 bits) | Turn Around (2 bits) | Data (16 bits) | Idle |
|-------|-----------------------|-------------------|---------------------|--|--|-------------------------|-------------------------------------|------|
| Read | 1.....1 | 01 | 10 | A ₄ A ₃ A ₂ A ₁ A ₀ | R ₄ R ₃ R ₂ R ₁ R ₀ | Z0 | D ₁₅D ₀ | Z* |
| Write | 1.....1 | 01 | 01 | A ₄ A ₃ A ₂ A ₁ A ₀ | R ₄ R ₃ R ₂ R ₁ R ₀ | 10 | D ₁₅D ₀ | Z* |

Note: Z*: High-impedance. During idle time MDIO state is determined by an external 1.5KΩ pull-up resistor.

The RTL8306SD/RTL8306SDM supports Preamble Suppression, which allows the MAC to issue Read/Write Cycles without preamble bits. However, for the first cycle of MII management after power-on reset, a 32-bit preamble is needed.

To guarantee the first successful SMI transaction after power-on reset, the external device should delay at least 1second before issuing the first SMI Read/Write Cycle relative to the rising edge of reset.

勝特力材料 886-3-5753170
 勝特力电子(上海) 86-21-54151736
 勝特力电子(深圳) 86-755-83298787
[Http://www.100y.com.tw](http://www.100y.com.tw)

7.3.5. Head-Of-Line Blocking

The RTL8306SD/RTL8306SDM incorporates an advanced mechanism to prevent Head-Of-Line blocking problems when flow control is disabled. When the flow control function is disabled, the RTL8306SD/RTL8306SDM first checks the destination address of the incoming packet. If the destination port is congested, the RTL8306SD/RTL8306SDM will discard this packet to avoid blocking the next packet, which is going to a non-congested port.

7.3.6. Filtering/Forwarding Reserved Control Frame

The RTL8306SD/RTL8306SDM supports the ability to forward, drop or trap (to the CPU) the frames of the IEEE 802.1 specified reserved Ethernet multicast addresses.

Reserved Ethernet multicast addresses are illustrated in Table 14.

Table 14. Reserved Ethernet Multicast Addresses

D: Drop B: Broadcast (Search the Look-Up Table) C: Trap to CPU

| Assignment | Value | Available Action |
|---|--|-------------------|
| Bridge Group Address | 01-80-C2-00-00-00 | B (default), C |
| IEEE Std 802.3ad Slow_Protocols-Multicast address | 01-80-C2-00-00-02 | D (default), B, C |
| IEEE Std 802.1X PAE address | 01-80-C2-00-00-03 | B (default), C |
| All LANs Bridge Management Group Address | 01-80-C2-00-00-10 | B (default), C |
| GMRP Address | 01-80-C2-00-00-20 | B (default), C |
| GVRP address | 01-80-C2-00-00-21 | B (default), C |
| Other addresses 1 | 01-80-C2-00-00-04~0F | D, B (default), C |
| Other addresses 2 | 01-80-C2-00-00-xx (xx≠00,01,02,03,04~0F,10,20,21) | B (default), C |

勝特力材料 886-3-5753170
 勝特力电子(上海) 86-21-54151736
 勝特力电子(深圳) 86-755-83298787
[Http://www.100y.com.tw](http://www.100y.com.tw)

7.3.7. Loop Detection

Loops should be avoided between switch applications. The simplest loop as shown below results in: 1) Unicast frame duplication; 2) Broadcast frame multiplication; 3) Address table non-convergence. Frames are transmitted from Switch1 to Switch 2 via Link 1, then returned to Switch 1 via Link 2.

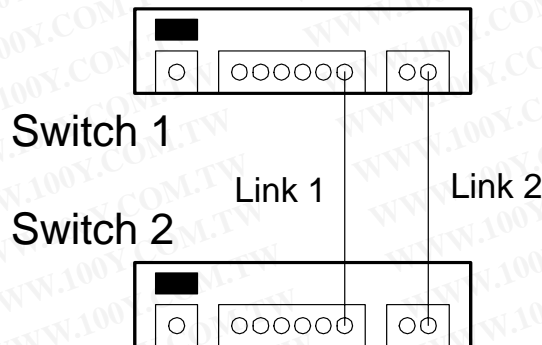


Figure 9. Loop Example

When the loop detection function is enabled, the RTL8306SD/RTL8306SDM sends out a broadcast 64-byte packet every 3~5 minutes and automatically detects whether there is a network loop (or bridge loop). If a loop is detected, the LoopLED# will be ON (active low or high). The LED goes out when both RTL8306SD/RTL8306SDM ports of the loop are unplugged. The Loop frame length is 64 bytes and its format is shown below.

Table 15. Loop Frame Format

| | | | | |
|----------------|-----|------|-----------------|-----|
| FFFF FFFF FFFF | SID | 8899 | 0300 000...0000 | CRC |
|----------------|-----|------|-----------------|-----|

In order to achieve loop detection, each switch device needs a unique SID (the source MAC address). If the EEPROM is not used, a unique SID should be assigned via SMI after reset, and the default SID (52-54-4C-83-05-C0) should not be used.

勝特力材料 886-3-5753170
 勝特力电子(上海) 86-21-54151736
 勝特力电子(深圳) 86-755-83298787
[Http://www.100y.com.tw](http://www.100y.com.tw)

7.3.8. MAC Local Loopback Return to External

Each port supports loopback of the MAC (return to external device) for diagnostic purposes.

Example 1: If the internal register, PHY4 (Page 0, 1) Reg.22.13=0 (Local loopback), the RTL8306SD/RTL8306SDM will forward local and broadcast packets from the input of Port 4 to the output of Port4, and drop unicast packets from the input of Port4. Other ports can still forward broadcast or unicast packets to Port4.

Example 2: If the internal register, PHY3 (Page 0,1) Reg.22.13=0 (Local loopback), the RTL8306SD/RTL8306SDM will forward local and broadcast packets from the input of Port3 to the output of Port3, and drop unicast packets from the input of Port3. Other ports can still forward broadcast or unicast packets to port3.

This is especially useful for router applications performing mass production tests. This function is independent of PHY type and can be done in each mode. Below are two examples: In Example 1 the external device (CPU) is connected to the MII interface of Port 4. In Example 2, the external device (CPU) does not have an MII interface, so it uses the PCI interface to connect an RTL8139 to the UTP port of Port 4.

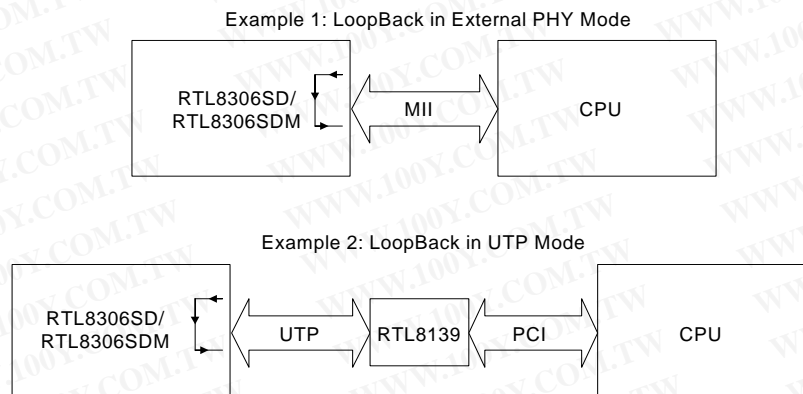


Figure 10. Port 4 Loopback

勝特力材料 886-3-5753170
 勝特力电子(上海) 86-21-54151736
 勝特力电子(深圳) 86-755-83298787
[Http://www.100y.com.tw](http://www.100y.com.tw)

7.3.9. Reg.0.14 PHY Digital Loopback Return to Internal

The digital loopback mode of the PHY (return to internal MAC) may be enabled on a per-port basis by setting MII Reg.0.14 to 1. In digital loopback mode, the TXD of the PHY is transferred directly to the RXD of the PHY, with TXEN changed to CRS_DV, and returns to the MAC via an internal MII. The data stream coming from the MAC will not egress to the physical medium, and an incoming data stream from the network medium will be blocked in this mode. The packets will be looped back in 10Mbps full duplex or 100Mbps full duplex mode. This function is especially useful for diagnostic purposes. For example, a NIC can be used to send broadcast frames into Port0 of the RTL8306SD/RTL8306SDM and set Port1 to Reg0.14 Loopback. The frame will be looped back to Port0, so the received packet count can be checked to verify that the switch device is good. In this example, Port0 can be 10M or 100M, and full or half duplex.

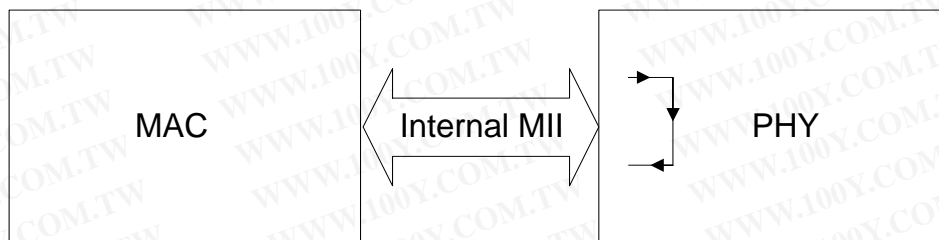


Figure 11. Reg. 0.14 Loopback

As the RTL8306SD/RTL8306SDM only supports digital loopback in full duplex mode, PHY Reg.0.8 for each port will always be kept on 1 when digital loopback is enabled. The digital loopback only functions on broadcast packets (DA=FF-FF-FF-FF-FF-FF). In loopback mode, the link LED of the loopback port should always be ON, and the Speed and Duplex LED combined to reflect the link status (100full/10full) correctly, regardless of what the previous status of this loopback port was.

Consider a case where a port is initially unlinked. When we set this port to digital loopback mode, the RTL8306SD/RTL8306SDM can get this port linked up within 100ms at the configured speed, and will block the sending of UTP signals from this port.

勝特力材料 886-3-5753170
 勝特力电子(上海) 86-21-54151736
 勝特力电子(深圳) 86-755-83298787
[Http://www.100y.com.tw](http://www.100y.com.tw)

7.3.10. 1.8V Power Generation

The RTL8306SD/RTL8306SDM can use a PNP transistor to generate 1.8V from a 3.3V power supply. This 1.8V is used for the digital core and analog receiver circuits. Do not use one PNP transistor for more than one RTL8306SD/RTL8306SDM chip, even if the rating is enough. Use one transistor for each RTL8306SD/RTL8306SDM chip.

Do not connect an inductor (bead) directly between the collector of the PNP transistor and AVDD18. This will adversely affect the stability of the 1.8V power to a significant degree.

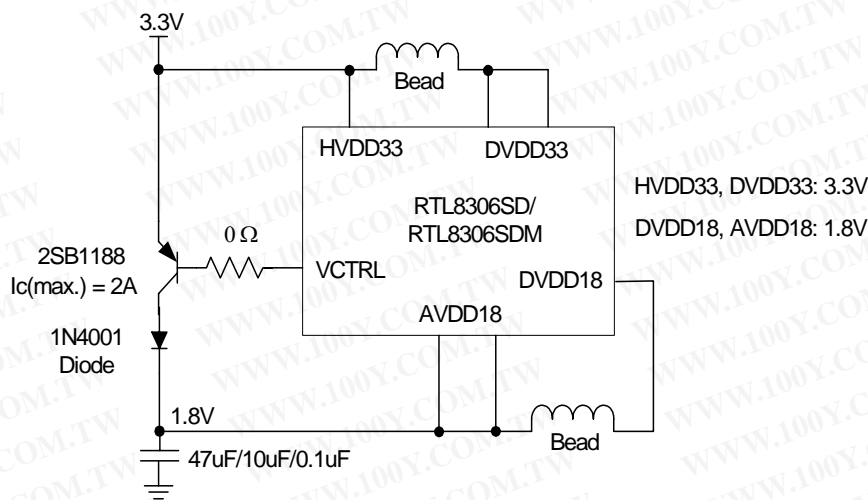


Figure 12. Using a PNP Transistor to Transform 3.3V Into 1.8V

Table 16. An Example Using Power Transistor 2SB1188

| Parameter | Symbol | Limits | Unit |
|-----------------------------|--------|----------|-------|
| Collector-base voltage | VCBO | -40 | V |
| Collector-emitter voltage | VCEO | -32 | V |
| Emitter-base voltage | VEBO | -5 | V |
| Collector current | IC | -2 | A(DC) |
| Collector power dissipation | PC | 0.5 | W |
| Junction temperature | Tj | 150 | °C |
| Storage temperature | Tstg | -55~+150 | °C |

Note: Absolute maximum ratings ($T_a=25^\circ\text{C}$).

For more information, refer to <http://www.rohm.com>

7.3.11. Crystal/Oscillator

The frequency is 25MHz. The maximum Frequency Tolerance is $\pm 50\text{ppm}$. The maximum Jitter is 150ps Peak-to-Peak.

8. Advanced Function Description

Table 17. Advanced Function Description

| Supported Function | RTL8306SD | RTL8306SDM |
|-----------------------|-----------|------------|
| ACL | x | √ |
| VLAN | √ | √ |
| QoS | √ | √ |
| Lookup Table | √ | √ |
| IEEE 802.1p Remarking | √ | √ |
| MIBs | √ | √ |
| Storm Filter | √ | √ |
| CPU Interrupt | √ | √ |
| IGMP & MLD Snooping | √ | √ |
| CPU Tag | √ | √ |
| IEEE 802.1X | √ | √ |
| IEEE 802.1D | √ | √ |
| Input & Output Drop | √ | √ |
| Port Mirror | √ | √ |
| LED | √ | √ |

8.1. ACL Function

Supported by: RTL8306SD RTL8306SDM

The ACL (Access Control List) holds 16 entries. When a packet is received, its source port, destination port (if a TCP or UDP packet), or EtherType code (if a non IP packet), are recorded and compared to current ACL entries. If they are matched, and if physical port and protocol are also matched, the entry is valid.

In an ACL entry, the physical port bit value of 0b000 to 0b101 represents ports 0~5 of the RTL8306SDM; the value 0b110 indicates that the entry is invalid; and the value 0b111 means that the entry can be valid whichever port the packet comes from.

For the protocol bit:

- 0b00 indicates an EtherType valid entry
- 0b01 indicates a TCP valid entry
- 0b10 indicates a UDP valid entry
- 0b11 indicates a TCP or UDP valid entry

勝特力材料 886-3-5753170
 勝特力电子(上海) 86-21-54151736
 勝特力电子(深圳) 86-755-83298787
[Http://www.100y.com.tw](http://www.100y.com.tw)

If a received packet matches multiple entries, the entry with the lower address is valid. If the entry is valid, the action bit and priority bit are applied.

- If the action bit is 'Drop', the packet will be dropped
- If the action bit is 'CPU', the packet will be trapped to the CPU instead of forwarded to a non-CPU port, except where it has been determined by other rules (other than ACL rules), that it should be dropped.
- If the action bit is 'Permit', ACL rules will have no effect
- If the action bit is 'Mirror', the packet will be forwarded to the mirror port after it is sent to its destination port (the mirror port is the destination port in the port mirror mechanism).

The priority bit will take effect only if the action bits are CPU, Permit, or Mirror, and is used to determine the packet queue ID according to the priority assignment mechanism.

8.2. VLAN Function

Supported by: RTL8306SD RTL8306SDM

8.2.1. Description

The RTL8306SD/RTL8306SDM supports 16 VLAN groups. These can be configured as port-based VLANs and/or IEEE 802.1Q tag-based VLANs. Two ingress filtering and egress filtering options provide flexible VLAN configuration:

- Ingress filtering option 1: The Acceptable Frame Type of the Ingress Process can be set to 'Admit All' or 'Admit All Tagged'.
- Ingress filtering option 2: 'Admit' or 'Discard' frames associated with a VLAN for which that port is not in the member set.
- Egress filtering option 1: 'Forward' or 'Discard' ARP broadcast frames.
- Egress filtering option 2: 'Forward' or 'Discard' Leaky VLAN frames.
- Egress filtering option 3: 'Forward' or 'Discard' multicast VLAN frames.

VLAN tags can be inserted or removed at the output port. The RTL8306SD/RTL8306SDM will insert a Port VID (PVID) for untagged frames, or remove the tag from tagged frames. The RTL8306SD/RTL8306SDM also supports a special insert VLAN tag function to separate traffic from WAN and LAN sides in Router and Gateway applications.

In router applications, the router may want to know which input port this packet came from. The RTL8306SD/RTL8306SDM supports Port VID (PVID) for each port and can insert a PVID in the VLAN tag on egress. Using this function, VID information carried in the VLAN tag will be changed to PVID. The RTL8306SD/RTL8306SDM also provides an option to admit VLAN tagged packets with a specific PVID only. If this function is enabled, it will drop non-tagged packets and packets with an incorrect PVID.

The main VLAN features of the RTL8306SD/RTL8306SDM are as follows:

- Supports up to 16 VLAN groups
- Flexible IEEE 802.1Q port/tag-based VLAN
- Leaky VLAN for ARP broadcast packets
- Leaky VLAN for unicast packets
- Leaky VLAN for multicast packets
- Leaky inter-VLAN mirror function
- VLAN tag Insert/Remove function
- VLAN packet trap to CPU function
- Supports special VLAN tag insert or remove function on per-port basis (egress) to separate WAN traffic from LAN traffic
- VLAN related strapping pin:
 - DISARP/LED_SPD[3]: Disable/Enable ARP broadcast to all VLANs
 - DISLEAKY/LED_ADD [2]: Disable/Enable forwarding unicast
 - DISVLAN/LED_SPD [4]: Disable/Enable VLAN function

勝特力材料 886-3-5753170
勝特力电子(上海) 86-21-54151736
勝特力电子(深圳) 86-755-83298787
[Http://www.100y.com.tw](http://www.100y.com.tw)

8.2.2. Port-Based VLAN

If the VLAN function is enabled by pulling down the strapping pin DisVLAN, the default VLAN membership configuration by internal register is Port 4 overlapped with all the other ports to form four individual VLANs. This default configuration can be modified via an attached serial EEPROM or SMI interface. The 16 VLAN membership registers designed into the RTL8306SD/RTL8306SDM provide full flexibility for users to configure the input ports to associate with different VLAN groups. Each input port can join more than one VLAN group.

Port-based VLAN mapping is the simplest implicit mapping rule. Each ingress packet is assigned to a VLAN group based on the input port. It is not necessary to parse and inspect frames in real-time to determine their VLAN association. All the packets received on a given input port will be forwarded to this port's VLAN members. The RTL8306SD/RTL8306SDM supports VLAN indexes for each port to individually index this port to one of the 16 VLAN membership registers. A port that is not included in a VLAN's member set cannot transmit packets to this VLAN.

Figure 13 illustrates a typical application. VLAN indexes and VLAN member definitions are set to form three different VLAN groups.

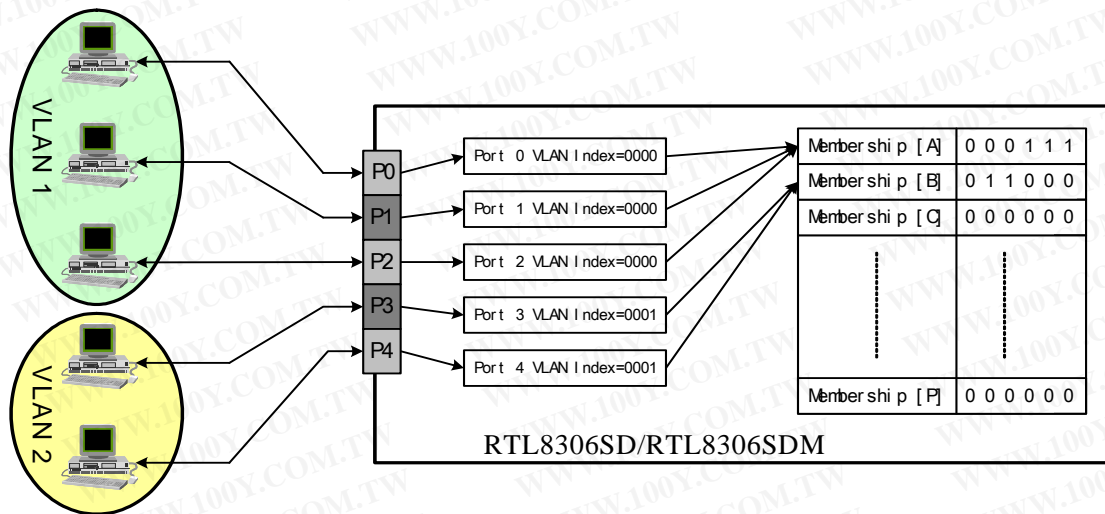


Figure 13. VLAN Grouping Example

The RTL8306SD/RTL8306SDM has a Port5 MAC, which can also be a VLAN member. Figure 14 illustrates a typical configuration in a port-based VLAN application that includes the Port5 MAC.

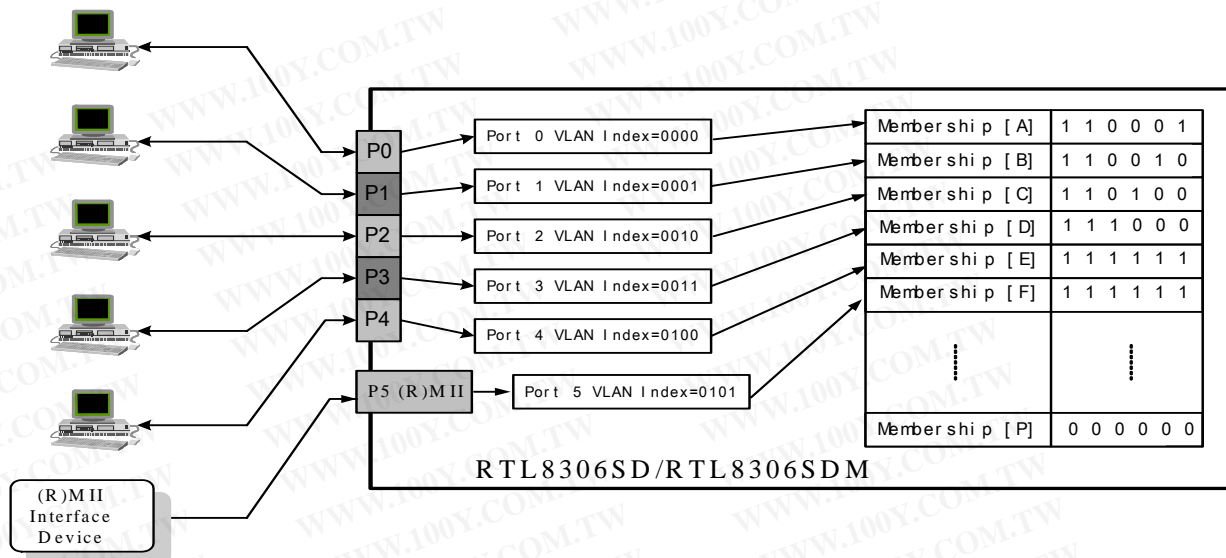


Figure 14. VLAN Grouping with Port5 MAC in Dual-(R)MII Mode

For non-VLAN tagged frames, the RTL8306SD/RTL8306SDM performs port-based VLAN. The VLAN ID associated with this indexed VLAN membership is the Port VID (PVID) of this port.

8.2.3. IEEE 802.1Q Tagged-VID Based VLAN

The RTL8306SD/RTL8306SDM supports 16 VLAN entries to perform IEEE 802.1Q-tagged VID-based VLAN mapping. The RTL8306SD/RTL8306SDM uses a 12-bit explicit identifier in the VLAN tag to associate received packets with a VLAN. If the VID of a VLAN-tagged frame does not match any of the 16 VLAN entries, the RTL8306SD/RTL8306SDM will drop the frame if the VLAN packet trap to the CPU port function is not disabled. Otherwise, the RTL8306SD/RTL8306SDM compares the explicit identifier in the VLAN tag with the 16 VLAN IDs to determine the VLAN association of this packet, and then forwards this packet to the member set of this VLAN. Two VIDs are reserved for special purposes. One of them is all 1's, which is reserved and currently unused. The other is all 0's, which indicates a priority tag. A priority-tagged frame should be treated as an untagged frame.

When '802.1Q tag aware VLAN' is enabled, the RTL8306SD/RTL8306SDM performs 802.1Q tag-based VLAN mapping for tagged frames, but still performs port-based VLAN mapping for untagged frames. If '802.1Q tag aware VLAN' is disabled, the RTL8306SD/RTL8306SDM performs only port-based VLAN mapping both on non-tagged and tagged frames.

Figure 15 illustrates the processing flow when '802.1Q tag aware VLAN' is enabled.

勝特力材料 886-3-5753170
 勝特力电子(上海) 86-21-54151736
 勝特力电子(深圳) 86-755-83298787
 Http://www.100y.com.tw

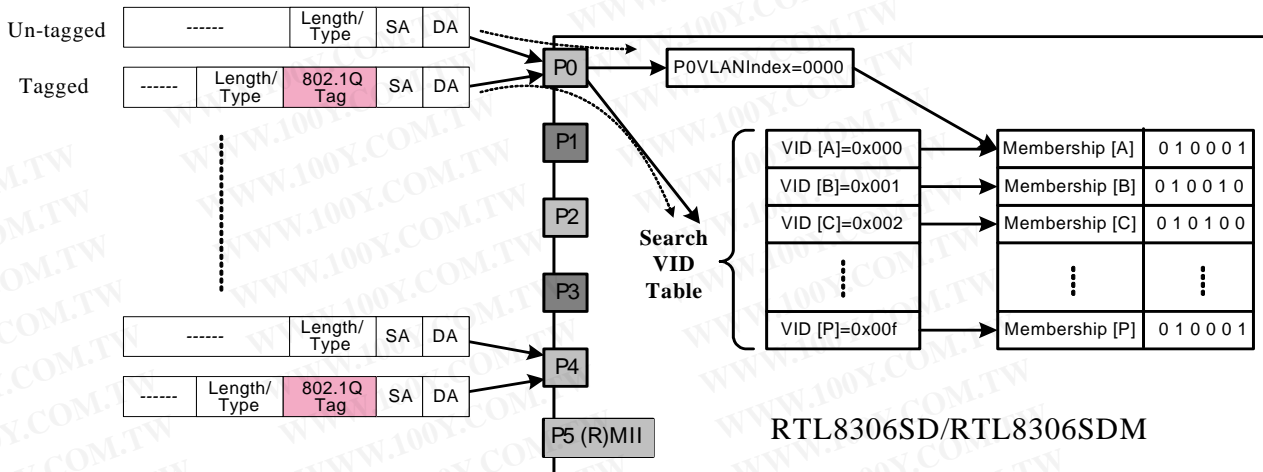


Figure 15. Tagged and Untagged Packet Forwarding when 802.1Q Tag Aware VLAN is Enabled

Two VLAN ingress filtering functions are supported by the RTL8306SD/RTL8306SDM. One provides the ability to receive VLAN-tagged frames only. Untagged or priority tagged (VID=0) frames will be dropped. The other can drop frames if the ingress port is not in the member set.

There are also four optional egress filtering functions:

- ‘Unicast leaky VLAN’ enables inter-VLAN unicast packet forwarding. That is, if the layer 2 lookup table search has a hit, then the unicast packet will be forwarded to the egress port, ignoring the egress rule.
- ‘ARP leaky VLAN’ enables broadcasting of ARP packets to all other ports, ignoring the egress rule.
- ‘Multicast leaky VLAN’ enables inter-VLAN multicast packet forwarding. Packets may be flooded to all the multicast address group member set, ignoring the VLAN member set domain limitation.
- ‘Inter-VLAN mirror function’ enables the inter-VLAN mirror function, ignoring the VLAN member set domain limitation. Default value is ‘Enable the inter-VLAN mirror’.

Note: ‘Unicast leaky VLAN’ and ‘ARP leaky VLAN’ are supported by the RTL8306SD/RTL8306SDM through strapping

勝特力材料 886-3-5753170
 勝特力电子(上海) 86-21-54151736
 勝特力电子(深圳) 86-755-83298787
[Http://www.100y.com.tw](http://www.100y.com.tw)

8.2.4. VLAN Packet Trap to CPU Port

The RTL8306SD/RTL8306SDM supports trapping VLAN tagged packets to the CPU port when the VID does not match the entry in the VLAN table. With this function and the support of an external CPU, the RTL8306SD/RTL8306SDM can expand the VLAN table and support more than 16 VLAN entries. When using this function, the CPU function must be enabled and the CPU port must also be set. The behavior of VLAN packets trapped to the CPU will not follow the ingress rules of the VLAN (the ingress rule includes both discarding non-PVID, and also ingress filter options).

8.2.5. PVID

The RTL8306SD/RTL8306SDM supports Port VID (PVID) for each port to insert a PVID (or replace the VID with a PVID for VLAN-tagged packets) in the VLAN tag on an egress packet. The RTL8306SD/RTL8306SDM also provides an option to admit VLAN tagged packets with a specific PVID only. When IEEE 802.1Q tag-aware VLAN is enabled, the VLAN tag admit control and non-PVID Discard are enabled at the same time. Packets with an incorrect PVID, and non-tagged packets will be dropped.

In IEEE 802.1Q tag-based VLAN applications, do not use port-based VLAN PVID, as the VID carried in the VLAN tag will be replaced with a PVID.

勝特力材料 886-3-5753170
勝特力电子(上海) 86-21-54151736
勝特力电子(深圳) 86-755-83298787
[Http://www.100y.com.tw](http://www.100y.com.tw)

8.3. QoS Function

Supported by: RTL8306SD RTL8306SDM

8.3.1. Bandwidth Control

8.3.1.1 Introduction

The RTL8306SD/RTL8306SDM supports MIN-MAX packet scheduling.

Packet scheduling offers three modes:

- Type I leaky bucket, which specifies the average rate of one queue (see Figure 16; only Q2 and Q3 have leaky bucket, Q0 and Q1 do not)
- Weighted Round Robin (WRR), which decides which queue is selected in one slot time to guarantee the minimal packet rate of one queue
- Port bandwidth control (type II leaky bucket) to control the bandwidth of the whole port

In addition, the RTL8306SD/RTL8306SDM can select one of the two sets of packet scheduling configurations according to the packet scheduling mode. Figure 16 shows the RTL8306SD/RTL8306SDM packet scheduling block diagram.

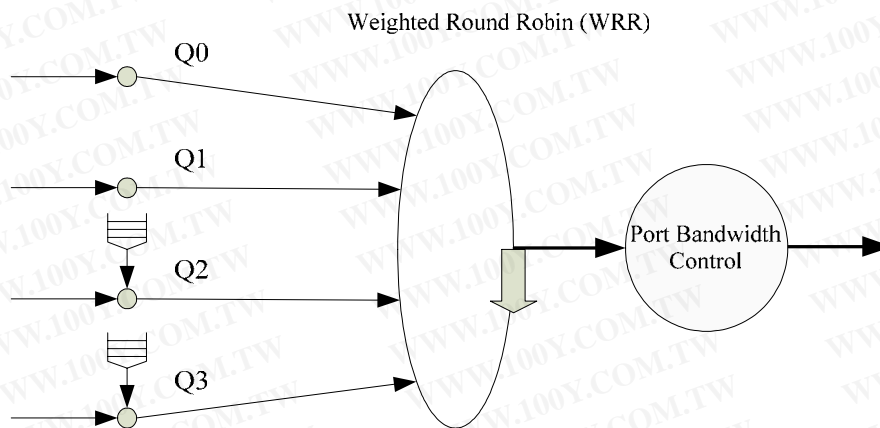


Figure 16. RTL8306SD/RTL8306SDM Packet Scheduling Diagram

勝特力材料 886-3-5753170
 勝特力电子(上海) 86-21-54151736
 勝特力电子(深圳) 86-755-83298787
[Http://www.100y.com.tw](http://www.100y.com.tw)

Weighted Round Robin (WRR):

WRR adds weighting on the basis of Round Robin, for example, assume Q3:Q2:Q1:Q0: 4:3:2:1, then the transmit order will be:

Q0->

Q1->Q1->

Q2->Q2->Q2->

Q3->Q3->Q3->Q3->

WRR guarantees a minimal packet rate for one queue only.

If there is strict priority (only in Q2 and Q3) and WRR at the same time, the queue with strict priority has higher priority than WRR. When the scheduler scans queues, queues with strict priority are scanned first, and then the other queues are scanned according to WRR. If there is more than one queue with strict priority, the queue with the bigger QID has higher priority.

8.3.1.2 Input (Rx) Bandwidth Control

Input bandwidth control limits the input bandwidth. When input traffic is more than the RX Bandwidth parameter, this port will either send out a 'pause ON' frame, or drop the input packet depending on flow control status.

勝特力材料 886-3-5753170
勝特力电子(上海) 86-21-54151736
勝特力电子(深圳) 86-755-83298787
[Http://www.100y.com.tw](http://www.100y.com.tw)

8.3.2. Priority Assignment

Priority assignment specifies the priority of a received packet according to various rules. The RTL8306SD/RTL8306SDM can recognize the QoS priority information of incoming packets to give a different egress service priority.

The RTL8306SD/RTL8306SDM identifies the priority of packets based on several types of QoS priority information:

- Port-based priority
- IEEE 802.1p/Q VLAN priority tag
- DSCP priority field
- ACL (RTL8306SDM only)
- IP Address
- CPU tag

勝特力材料 886-3-5753170
 勝特力电子(上海) 86-21-54151736
 勝特力电子(深圳) 86-755-83298787
[Http://www.100y.com.tw](http://www.100y.com.tw)

Below is a block diagram of the priority assignment.

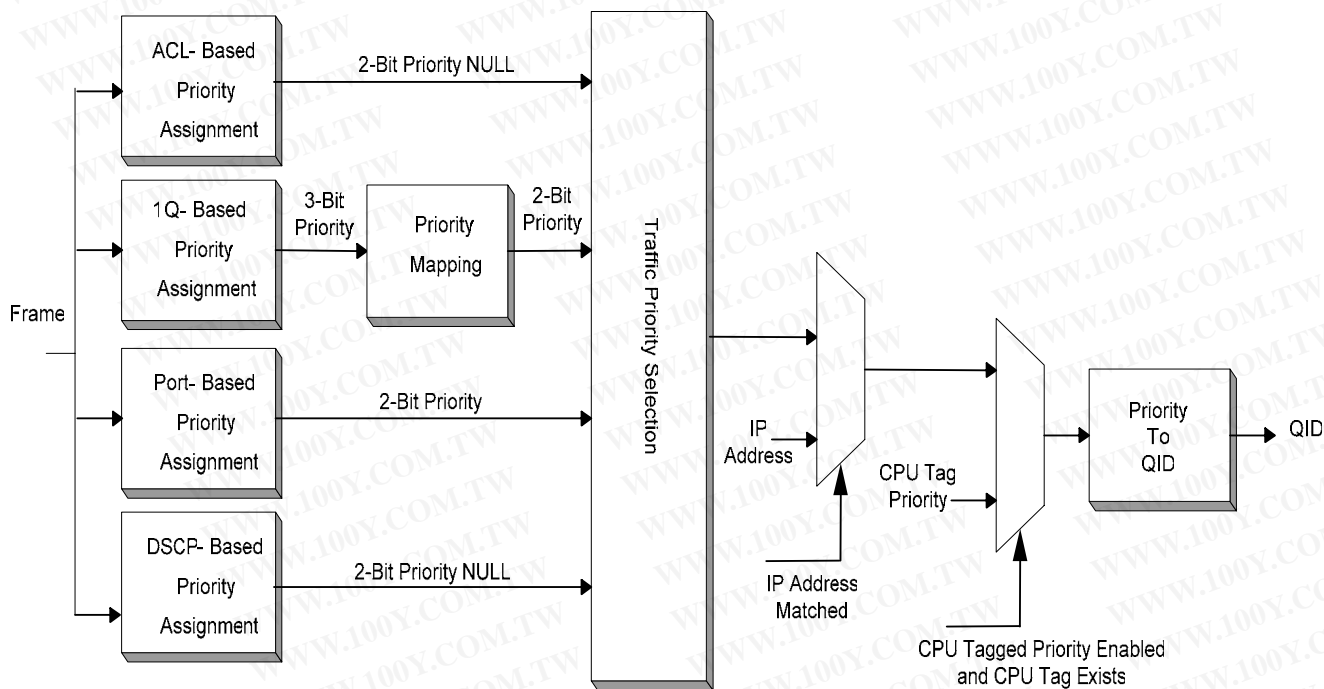


Figure 17. RTL8306SD/RTL8306SDM Priority Assignment Diagram

8.3.2.1 Queue Number Selection

In the RTL8306SD/RTL8306SDM, the output queue number of a particular port can be set. All ports follow a global configuration. The maximum number of output queues per port is 4. After changing the queue number via SMI (Serial Management Interface), the external device must perform a soft reset in order to update the configuration.

8.3.2.2 Port-Based Priority Assignment

Each physical port is assigned a 2-bit priority level. Packets received from a high-priority port are sent to the high-priority queue of the destination port. Port-based priority can be disabled by register setting.

8.3.2.3 IEEE 802.1Q-Based Priority Assignment

In IEEE 802.1Q-based priority assignment, when a packet is VLAN-tagged or priority-tagged, the 3-bit priority is specified by tag. When a packet is untagged, the 802.1Q-based priority is assigned to the default 2-bit priority information of a physical port. So, each port must provide a default 2-bit priority (every received packet must be assigned a 2-bit 1Q-Based Priority). When the priority comes from a packet, the 1Q-based priority is acquired by mapping 3-bit tag priority to 2-bit priority through a RTL8306SD(M) 1Q-based Priority Mapping Table. The 1Q-based priority can be disabled.

8.3.2.4 DSCP-Based Priority Assignment

DSCP (Differentiated Services Code Point)-based priority assignment maps the DSCP of an IP packet to 2-bit priority information through a DSCP to priority table, as DSCP is only in the IP packet. A non-IP packet (such as a Layer 2 frame, ARP, etc) will get a NULL instead of a 2-bit priority. For an IPv6 IP header, DSCP-based priority assignment acquires the DSCP value according to the class of IPv6 header.

In the RTL8306SD/RTL8306SDM, DSCP-based priority assignment provides a DSCP to Priority Table of EF (Expected Forwarding), AF (Assured Forwarding), and network control. If the DSCP of a packet is not matched in the table, the DSCP-based priority is 0b00. The DSCP-based priority can be disabled by control bit DisDSPri[i]. The RTL8306SD/RTL8306SDM provides two sets of registers to set Differential service priority. When they are enabled, the priority value can be set in registers.

8.3.2.5 ACL-Based Priority Assignment (RTL8306SDM only)

When a received packet matches an ACL with priority information, the priority of the packet is set to the value of ACL's priority information. The default ACL based priority is 00.

8.3.2.6 IP Address-Based Priority

When IP-based priority is enabled, any incoming packets with source or destination IP address equal to the configuration in register IP Priority Address [A] and IP Priority Mask [A], or IP Priority Address [B] and IP Priority Mask [B] will be set to a 2-bit priority.

IP priority [A] and IP priority [B] may be enabled or disabled independently. IP address-based priority can be enabled or disabled by the control register.

8.3.2.7 CPU Tag-Based Priority

A packet transmitted from the CPU port may have CPU tag priority assigned in the ‘priority’ field of the CPU (Table 18). CPU tag-based priority can be enabled via register setting.

Table 18. CPU Tag Format

| | | | |
|--------------------------------------|------------------|------------------|---------------|
| 15 | 8 | 7 | 0 |
| Realtek EtherType(2) [0x8899] | | | |
| Protocol (4-bit) [0x9] | Priority (2-bit) | Reserved (4-bit) | Tx/Rx (6-bit) |

There are two limitations for the control bit:

- When CPU tag priority is disabled, the switch controller will only recognize the port-based priority of packets that have both the CPU tag and VLAN tag, and will ignore the ACL-based priority of packets that have the CPU tag.
- When CPU tagged-packet awareness is disabled, CPU tag-based priority will not function.

8.3.2.8 Packet Priority Selection

As one received packet may simultaneously support several priority assignment mechanisms, e.g., Port-Based Priority, 1Q-Based Priority, DSCP-Based Priority, and ACL-Based Priority, it may get several different priority values.

- If it is enabled and the packet has a CPU tag, CPU tag-based priority has highest priority. The final priority is equal to CPU tag-based priority.
- If CPU tag-based priority is not enabled, IP address priority has the highest priority. If the IP address is matched, the final priority is equal to the IP address priority.
- If CPU tag-based priority and IP address priority are both disabled, the following rules are used to decide a final priority for the other four types of priority.

There is a 4-bit register for each of the four types of priority, which represents the weight of the priority. The higher bit marked '1' in the register indicates a higher weight for the priority.

For example, when Weight of port-based priority=0010, Weight of 1Q-based priority=0010, Weight of DSCP priority=0100, and Weight of ACL priority=1000:

- If it has ACL-Based Priority, the final priority is set to ACL-Based Priority.
- If it has DSCP-Based Priority (and no ACL-Based Priority), the final priority is set to DSCP-Based Priority.
- If it has neither ACL nor DSCP-Based Priority, the priority is decided by the higher one between the Port-Based Priority and the 1Q-Based Priority.

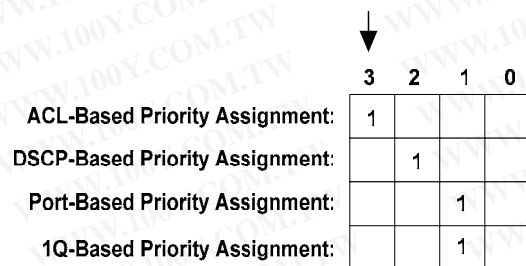


Figure 18. Packet Priority Selection

The 2-bit priority has four numbers, however, every port has at most four output queues, so every port needs a User Priority to Traffic Class Mapping Table to map the priority to QID. The whole system provides two sets of Traffic Class Mapping Tables. Each port can select one of them according to Traffic Class Mapping mode selection.

| Priority | Number of Available Traffic Classes | | | |
|-------------|-------------------------------------|---|---|---|
| | 1 | 2 | 3 | 4 |
| 0 (default) | 0 | 0 | 1 | 1 |
| 1 | 0 | 0 | 0 | 0 |
| 2 | 0 | 1 | 1 | 2 |
| 3 | 0 | 1 | 2 | 3 |

8.3.2.9 Priority Controlled By Strapping Pin

The RTL8306SD/RTL8306SDM supports strapping pins to control port-based, DSCP-based, and 1Q-based priority. If any of those priorities are enabled through the strapping pins (pins 68, 91, 88, 86, 85, 84, 83), the output queue of each port will simultaneously be divided to 2 queues; a high queue and low queue. The default rate of the 2 queues weight of WRR is 16:1 (high:low). A synchronous change of the queue number will not occur in the RTL8306SD/RTL8306SDM when those priorities are enabled through the registers.

8.4. *Lookup Table Function*

Supported by: RTL8306SD RTL8306SDM

8.4.1. **Function Description**

- 2048-entry lookup table
- 16-entry CAM to reduce hash collisions
- 4-way entry for each entry index to reduce MAC address hash collisions
- Use MAC[13:15] and MAC[0:5] of source MAC address as index to point to lookup table entry
- 2048-entry lookup table can be accessed by SMI and supports multicast and static addresses
- External Look-Up Table write access has higher priority than switch auto-learning function
- Supports LRU (Least Recently Used) function for lookup table learning

8.4.2. **4-Way Direct Mapping Algorithm**

For unicast packet learning and search or multicast packet search, the RTL8306SD/RTL8306SDM applies a 4-Way Direct Mapping algorithm.

The RTL8306SD/RTL8306SDM uses MAC[13:15]+MAC[0:5] as an index to assign the learning entry position. For each index, there are 4 entries to save the hash collision MAC address. For example, if a packet SA is learned by the switch with MAC[13:15]+MAC[0:5] = 0x010, the address will be saved in one designated entry and the aging timer will be updated as 0b10.

8.4.3. **Lookup and CAM Table Definition**

8.4.3.1 *Lookup Table Access*

All content of each lookup table entry of the RTL8306SD/RTL8306SDM can be accessed through SMI, including the destination port ID, aging timer, author properties, etc. All the lookup table entries can be read or written as multicast or unicast entries.

勝特力材料 886-3-5753170
勝特力电子(上海) 86-21-54151736
勝特力电子(深圳) 86-755-83298787
[Http://www.100y.com.tw](http://www.100y.com.tw)

8.4.3.2 *Least Recently Used (LRU) Function Description*

In traditional switch learning, if a MAC address hash collision occurs and the CAM is full, then the later MAC address in the collision will not be learned into the lookup table. The LRU function attempts to resolve this problem.

When Enable LRU = 0b1, then the LRU function is enabled. If the Source MAC address of the incoming packet encounters a hash collision during the learning process, when the 4-way entries are all occupied and the 16-entry CAM are all full, then the switch will learn the address in one of the 4-way entries using the LRU aging timer. The criteria for selecting the entry is comparing via the aging timer and choosing the oldest one. If the aging timer of the 4 entries are the same, then the least Entry_Address[1:0] is selected.

There are 3 bit registers for the LRU function:

- Enable LRU: Enables or disables this function
- Disable CAM: For optional over-writing of the 4-way entries regardless of CAM status. LRU will directly over-write one of the 4-way entries, even if the CAM is not full
- CAM full state: Indicates that the CAM is full. When the 16-entries in the CAM are full, the signal will be 0b1. When the CAM is not full, the signal will be 0b0

8.5. *IEEE 802.1p Remarking Function*

Supported by: RTL8306SD RTL8306SDM

The RTL8306SD/RTL8306SDM provides IEEE 802.1p Remarking ability. Each port can enable or disable IEEE 802.1p Remarking ability.

In addition, there is a RTL8306SD/RTL8306SDM global IEEE 802.1p remarking Table. When one port enables 802.1p Remarking ability, 2-bit priority (not QID) determined by the RTL8306SD/RTL8306SDM is mapped to 3-bit priority according to the 1p remarking Table.

If the port's 1p remarking function is enabled, transmitting VLAN tagged packets will have the 1Q VLAN tag's Priority field replaced with the 3-bit 1p remarking Priority.

When the VLAN tags are inserted to non-tagged packets, the inserted tag's priority will accord with the 1p remarking table, even if the port's 1p remarking function is disabled. When the VLAN tag is replaced for a tagged packets and the 1p remarking function is disabled, the VLAN tag's VID will be replaced but the priority will not change.

8.6. MIBS Function

Supported by: RTL8306SD RTL8306SDM

8.6.1. MIB Counter Description

The RTL8306SD/RTL8306SDM implements five 32-bit MIB Counters on each port for traffic management and diagnostic purposes. The five MIB counters are Tx Counter, Rx Counter, Rx Drop Counter, Rx CRC Counter, and Rx Fragment Counter. The Tx Counter and Rx Counter can be byte-based or packet-based for each port. There is also an on-off register for each port to enable or disable/clear MIB Counters. Pause frame on/off is not counted in any condition. These MIB Counters are described below:

- Tx Counter:
 - TX byte or packet count. This counter is incremented once for every data byte/packet of a transmitted packet.
- Rx Counter:
 - RX byte or packet count. This counter is incremented once for every data byte of a received and forwarded good packet. RX byte/packet count includes both forwarded and dropped good packets. For mirror RX forwarded packets, if these are not good packets they will not be counted.
- Rx Drop Counter:
 - RX drop packet count. Packet drop events could be due to lack of resource, local packet, etc. If the mirror RX function is enabled and the packets are only received by the mirror port, these packets are also included in the mirrored port's drop packet counter. Packet lengths less than 64 bytes are not included.
- Rx CRC Counter:
 - RX CRC error packet count. This counter is incremented once for every received packet with a length more than 64 bytes but with a CRC error. Oversize packets are also included in this counter.
- Rx Fragment Counter:
 - RX fragment, collision, and undersize packet count. These packet lengths are less than 64 bytes.

As data can only be read 16-bits at one time, when reading these 32-bit counters through an SMI interface, they should always read low bits (bit [15:0]) first. Both the low 16 bits and high 16 bits are latched, and it should read the high bits register in the immediately following read cycle.

8.6.2. MIB Counter Enable/Clear

After power on reset, the counters are all reset to 0. A read access of the MIB counter will not reset the counter to 0. When power-on occurs, the counters will be cleared to 0.

A Disable/Enable MIB Counter register is provided for each port. When ‘Disable Port x MIB counter’ is asserted to 1, the corresponding port’s MIB counter will be cleared to 0 and counting stopped. When ‘Disable Port x MIB counter’ is asserted to 0, the corresponding port’s MIB counter is enabled and starts counting.

8.6.3. MIB Counter Timeout

The period of time before the next read of the same counter should not be longer than the counter’s timeout. The timeout of the 32-bit MIB counter depends on the object type and the port speed, and is calculated as shown in below table.

Table 19. MIB Counter Timeout

| Port Speed | MIB Object Type | MIB Counter Timeout (Sec.) |
|------------|-----------------|----------------------------|
| 100Mbps | Packet count | 28862 |
| | Byte count | 348 |
| 10Mbps | Packet count | 288621 |
| | Byte count | 3481 |

Note: Packet counter timeout is calculated based on 64-byte packets and byte counter timeout is calculated based on 1518 byte packets.

8.7. Storm Filter Function

Supported by: RTL8306SD RTL8306SDM

The RTL8306SD/RTL8306SDM can effectively control broadcast storms caused by broadcast packets, multicast packets, and unknown DA unicast packets. An option to drop all broadcast packets (DA=ff-ff-ff-ff) sent to the CPU port is also provided. This function reduces the process loading of the CPU.

Note: Broadcast packets discussed here are packets whose DA is ff-ff-ff-ff-ff-ff.

Multicast packets are those whose DA is a multicast address, but excluding 01-80-C2-00-00-xx.

An unknown DA unicast packet is a packet whose DA is a unicast address and is not found in the lookup table of the switch.

When broadcast (or multicast, unknown DA unicast) storm filtering is enabled, each port of the RTL8306SD/RTL8306SDM will permit only 64 (or 32, 16, 8, as determined by register setting)

consecutive broadcast (or multicast, unknown DA unicast) packets to be forwarded to other ports in each iteration of about 800ms (or 400ms, 200ms, 100ms, as determined by register setting). The RTL8306SD/RTL8306SDM drops all following incoming broadcast (or non-multicast, non-unknown DA unicast) packets in the iteration.

The 800ms timer is free running. The 64-packet counter counts from the first broadcast (or multicast, unknown DA unicast) packet received and it can be optionally reset to 0 after receiving a non-broadcast (or non-multicast, non-unknown DA unicast) packet. This option enables timer release only for the triggered storm filter. Once enabled, the storm filter can be released only after the storm filter timer times out.

The three types of storm filter work independently and can be employed simultaneously. For example, if the broadcast storm filter and multicast storm filter are enabled at one time, receiving a multicast packet (DA=01-80-C2-00-00-xx not included) at a specific port will cause the port's broadcast packet counter to reset and to begin counting multicast packets, and vice versa. If the interrupt is enabled, there will be an interrupt signal when a storm filter is triggered.

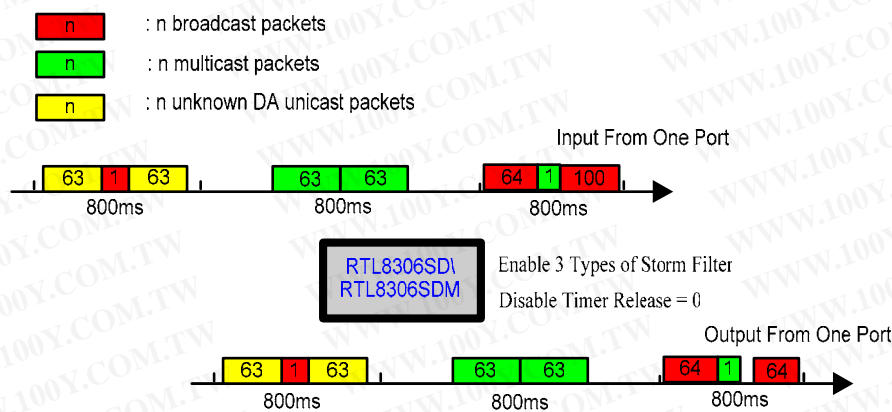


Figure 19. Storm Filter Application Example

勝特力材料 886-3-5753170
 勝特力电子(上海) 86-21-54151736
 勝特力电子(深圳) 86-755-83298787
[Http://www.100y.com.tw](http://www.100y.com.tw)

8.8. CPU Interrupt Function

Supported by: RTL8306SD RTL8306SDM

The RTL8306SD/RTL8306SDM supports a CPU interrupt function to inform the CPU of changes to the switch controller's link status and of storm filter events. When this function is enabled, the change of any port's link status or storm filter event will trigger a level mode and low active interrupt signal on the CPU interrupt pin (Pin 46). The output of the CPU interrupt pin can be optionally disabled.

As there is an interrupt event flag register recording which ports the link changes occur on, the CPU can get the exact interrupt source through the register when an interrupt happens. As soon as the interrupt event flag register is read, the flag bits in it will be self-cleared. The output of the CPU interrupt pin is determined by the interrupt event flag register. It outputs high only when all of the flag bits in the interrupt event flag register are '0'. Otherwise, it outputs low.

There also is an interrupt mask register involved in the function implementation. Any port's link change interrupt can be disabled independently through this register.

勝特力材料 886-3-5753170
勝特力电子(上海) 86-21-54151736
勝特力电子(深圳) 86-755-83298787
[Http://www.100y.com.tw](http://www.100y.com.tw)

8.9. IGMP & MLD Snooping Function

Supported by: RTL8306SD RTL8306SDM

The RTL8306SD/RTL8306SDM supports IGMP v1/v2/v3 and MLD v1/v2 snooping. The RTL8306SD/RTL8306SDM can trap all IGMP and MLD packets to the CPU port. The CPU processes these packets, gets the IP multicast group information of all ports, and writes the correct multicast entry to the lookup table via SMI.

IGMP & MLD snooping only operates when the CPU port function is enabled. If the CPU port function and IGMP snooping are both enabled, the RTL8306SD/RTL8306SDM traps all packets to the CPU where:

- EtherType is 0x0800 and the protocol field in the IP header is 0x02 (for PPPoE packets the EtherType is 0x8864 and PPP protocol=0x0021).

If the CPU port function and MLD snooping are both enabled, the RTL8306SD/RTL8306SDM will trap all packets to the CPU where:

- EtherType is 0x86DD and the next header field in the IPv6 header is 0x00 (for PPPoE packets EtherType is 0x8864 and PPP protocol=0x0057) to CPU.
- MLD packets have three characteristics:
 1. EtherType=0x86DD (2bytes) (for PPPoE packets, EtherType = 0x8864 and PPP protocol = 0x0057)
 2. “Next header”=0 (1byte) in IPv6 header
 3. “Route alert option”= 0x05020000 (4bytes) in hop-by-hop option header

勝特力材料 886-3-5753170
勝特力电子(上海) 86-21-54151736
勝特力电子(深圳) 86-755-83298787
[Http://www.100y.com.tw](http://www.100y.com.tw)

If a packet matches the first two characteristics, it will be trapped to the CPU. The CPU will then check the “Route alert option” and other fields to determine whether the packet is an MLD packet.

To avoid a loop condition, IGMP and MLD packets received from the CPU port will never be trapped, even if all options enable trapping action.

A typical application of the RTL8306SD/RTL8306SDM IGMP and MLD snooping function is shown in Figure 20.

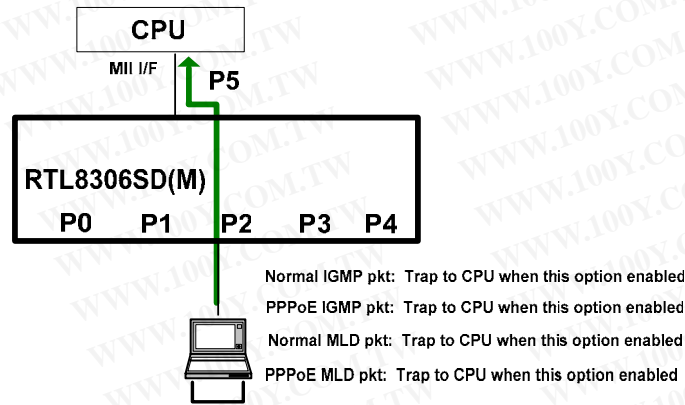


Figure 20. IGMP & MLD Application Example

勝特力材料 886-3-5753170
 勝特力电子(上海) 86-21-54151736
 勝特力电子(深圳) 86-755-83298787
[Http://www.100y.com.tw](http://www.100y.com.tw)

8.10. CPU Tag Function

Supported by: RTL8306SD RTL8306SDM

The RTL8306SD/RTL8306SDM can insert a CPU tag that contains source port information to the packets sent to the CPU port.

There are two circumstances where the CPU tag is useful:

- The CPU needs the source port information of the packets trapped to the CPU.
- The CPU can use the CPU tag to inform the RTL8306SD/RTL8306SDM of the packet's destination port.

The tag format is shown in Table 20.

Table 20. CPU Tag Format

| | | | |
|--------------------------------------|------------------|------------------|---------------|
| 15 | 8 | 7 | 0 |
| Realtek EtherType(2) [0x8899] | | | |
| Protocol (4-bit) [0x9] | Priority (2-bit) | Reserved (4-bit) | Tx/Rx (6-bit) |

The CPU tag is inserted behind the packets SA. The EtherType field of the tag is assigned by register. Its default value is 0x8899, which is a Realtek proprietary number. The following protocol field is fixed to 0x9.

When the RTL8306SD/RTL8306SDM inserts a CPU tag to a packet forwarded to the CPU, the priority field will be filled with the packet final priority from the QoS rule.

- When the RTL8306SD/RTL8306SDM receives a packet with a CPU tag inserted by the CPU, the priority field indicates the CPU-assigned priority for this packet.
- The Tx/Rx field is Rx when the CPU tag is inserted by the RTL8306SD/RTL8306SDM, and it indicates the packet's source port. The Tx/Rx field is Tx when the CPU tag is inserted by the CPU, and it indicates the packet's destination port.

The bit for Tx/Rx field to port mapping is shown in Table 21. Writing '1' in the field means the corresponding port is the source port (for Rx) or destination port (for Tx) of the packet.

Table 21. Bit to Port Mapping in CPU Tag

| | | | | | |
|--------|--------|--------|--------|--------|--------|
| TX/Rx | | | | | |
| MSB | | | | | LSB |
| Port 5 | Port 4 | Port 3 | Port 2 | Port 1 | Port 0 |

CPU tag insertion is independent from IGMP & MLD snooping. All packets sent to the CPU port (including any packets unicast or broadcast to the CPU port) will be inserted with a CPU tag when CPU tag insertion is enabled. When CPU tag removal is enabled, if the EtherType matches the CPU tag content register and the following 4 bits are 0x9, the RTL8306SD/RTL8306SDM will remove the 32 bits following the SA of the packet. Then the RTL8306SD/RTL8306SDM retrieves the CPU assigned priority in the tag and forwards it with the destination port information in the CPU tag.

There is an option for the RTL8306SD/RTL8306SDM to check a CPU-tagged packet's CRC, which can greatly reduce the external CPU's loading. Another configuration option enables or disables CPU tagged packet awareness.

A typical application of the RTL8306SD/RTL8306SDM CPU tag function is shown in Figure 21.

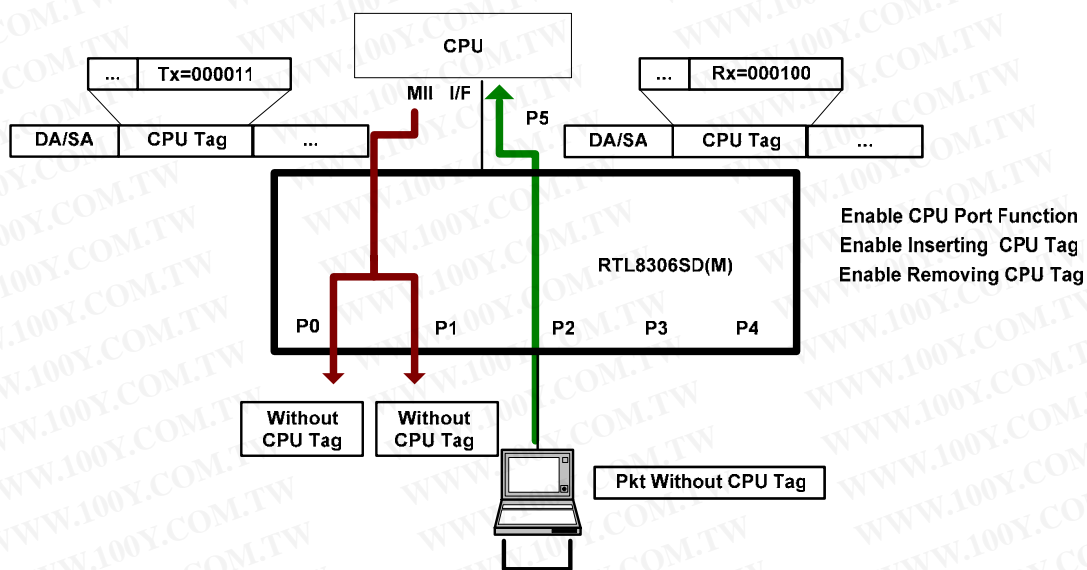


Figure 21. CPU Tag Application Example

勝特力材料 886-3-5753170
 勝特力电子(上海) 86-21-54151736
 勝特力电子(深圳) 86-755-83298787
[Http://www.100y.com.tw](http://www.100y.com.tw)

8.11. IEEE 802.1x Function

Supported by: RTL8306SD RTL8306SDM

The RTL8306SD/RTL8306SDM supports IEEE 802.1x Port-based/MAC-based Access Control.

When port-based access control and MAC-based access control are both enabled, only frames that comply with both port-based access control and MAC-based access control will be forwarded. The IEEE 802.1x Port-based/MAC-based Access Control rules will be ignored for the following two types of packets:

- CPU tagged packets (only when CPU tagged-packet awareness is disabled).
- Reserved control packets (which will be trapped to the CPU).

8.11.1. Port-Based Access Control

When a PC host connects to a RTL8306SD/RTL8306SDM-controlled switch, the switch will ask the PC host for authentication. The switch will transmit the information sent by the host to the authentication server for authenticating.

- When the register 'Port-based Authorization status of 802.1x for Port x'=1, that is, the port is authenticated, and its traffic will be normally received or sent.
- When the register 'Port-based Authorization status of 802.1x for Port x'=0, that is, the port is not authenticated, its traffic will not be normally forwarded.

The register 'Direction of 802.1x control for Port x' decides whether or not the traffic of other ports can be forwarded to the port.

- If 'Direction of 802.1x control for Port x'=0, packets need to pass 802.1x authorization in the input direction and the output direction for Port-Based Access Control.
- If 'Direction of 802.1x control for Port x'=1, packets only need pass 802.1x authorization in the input direction for Port-Based Access Control. Output direction packets will bypass the 802.1x authorization rule.

勝特力材料 886-3-5753170
勝特力电子(上海) 86-21-54151736
勝特力电子(深圳) 86-755-83298787
[Http://www.100y.com.tw](http://www.100y.com.tw)

8.11.2. MAC-Based Access Control

MAC-Based Access Control provides authentication for multiple logical ports. Each logical port represents a source MAC address. There are multiple logical ports for a physical port. When a logical port or a MAC address is authenticated, the DTE using the MAC address has the authorization to access the network. A frame with a source MAC address that is not authenticated by the 802.1x function will be dropped or trapped to the CPU.

When the register bit ‘Enable Mac-based authorization of 802.1x for Port x’=1, it means port n has MAC-Based access control ability. In this condition, if a MAC address is authenticated by EAPOL, the ‘Author’ bit in the corresponding lookup table entry should be set to ‘1’, which indicates that the address is authenticated. If a MAC address is unauthenticated, the ‘Author’ bit should be set to ‘0’. A received frame with unauthenticated source MAC address will be dropped or trapped to the CPU, which is determined based on the register ‘Operation of 802.1x unauthorized frame’.

There is another register used for the control of the MAC-Based access:

- If the register ‘Direction for 802.1x MAC-Based Access Control’=0, the forwarding packets need to pass 802.1x authorization in both the input direction and output direction for Mac-Based Access Control.
- If ‘Direction for 802.1x MAC-Based Access Control’=1, the forwarding packets only need pass 802.1x authorization in the input direction for Mac-Based Access Control.

The IEEE 802.1X MAC-Based authentication processing is handled by the CPU and the authentication server. When a Source-MAC-Address is authorized, the CPU will write an 802.1X MAC-Based Entry (AUTH=1) into the MAC-Address-Table. The behavior is determined based on Table 22.

Table 22. IEEE 802.1x MAC-Based Entry

| MAC-Based | Static | Auth | Description | Aging | Aging Out | Update MBR |
|-------------|--------|------|--|-------|-----------|------------|
| 0 (Disable) | 0 | 0 | General Dynamic Entry | Yes | Yes | Yes |
| 0 | 0 | 1 | 802.1x Dynamic Entry (do not bind host to any specified port) | Yes | No | Yes |
| 0 | 1 | 0 | General Static Entry | Yes | No | No |
| 0 | 1 | 1 | 802.1x Static Entry (bind host to a specified port) | Yes | No | No |
| 1 (Enable) | 0 | 0 | General Dynamic Entry | Yes | Yes | Yes |
| 1 | 0 | 1 | 802.1x Dynamic Entry (do not bind authenticated host to any specified port) | Yes | No | Yes |
| 1 | 1 | 0 | General Static Entry | Yes | No | No |
| 1 | 1 | 1 | 802.1x Static Entry (bind authenticated host to a specified port) | Yes | No | No |

8.12. IEEE 802.1D Function

Supported by: RTL8306SD RTL8306SDM

When using IEEE 802.1D, the RTL8306SD/RTL8306SDM supports four status' for each port:

Disabled: The port will not transmit/receive packets, and will not perform learning.

Blocking: The port will only receive BPDU spanning tree protocol packets, but will not transmit any packets, and will not perform learning.

Learning: The port will receive any packet, including BPDU spanning tree protocol packets, and will perform learning, but will only transmit BPDU spanning tree protocol packets.

Forwarding: The port will transmit/receive all packets, and will perform learning.

The RTL8306SD/RTL8306SDM also supports a per-port transmission/reception enable/disable function. Users can control the port state via register.

Behaviors are shown in the following table.

Table 23. Behavior on TX_EN, RX_EN, and PSTAn

A: All packets

D: Disable. RX no learning, TX do not send any packets

B: BPDU packet

L: Learn all packets but do not forward

| TX_EN | RX_EN | PSTAn | Description |
|-------|-------|-------|------------------|
| 0 | 0 | 00 | RX (D) TX (D) |
| | | 01 | RX (D) TX (D) |
| | | 10 | RX (D) TX (D) |
| | | 11 | RX (D) TX (D) |
| 0 | 1 | 00 | RX (D) TX (D) |
| | | 01 | RX (B) TX (D) |
| | | 10 | RX (L) TX (B) |
| | | 11 | RX (A) TX (D) |
| 1 | 0 | 00 | RX (D) TX (D) |
| | | 01 | RX (D) TX (D) |
| | | 10 | RX (D) |



A: All packets

D: Disable. RX no learning, TX do not send any packets

B: BPDU packet

L: Learn all packets but do not forward

| TX_EN | RX_EN | PSTAn | Description |
|-------|-------|-------|------------------|
| | | | TX (B) |
| | | 11 | RX (D) TX (A) |
| 1 | 1 | 00 | RX (D) TX (D) |
| | | 01 | RX (B) TX (D) |
| | | 10 | RX (L) TX (B) |
| | | 11 | RX (A) TX (A) |

8.13. Input & Output Drop Function

Supported by: RTL8306SD RTL8306SDM

If some destination ports are blocking or the buffer is full, the frames to these ports will be dropped.

There are two types of drop:

- Input Drop: Drop the frame directly. Do not forward to any port.
- Output Drop: Forward only to non-blocking ports.

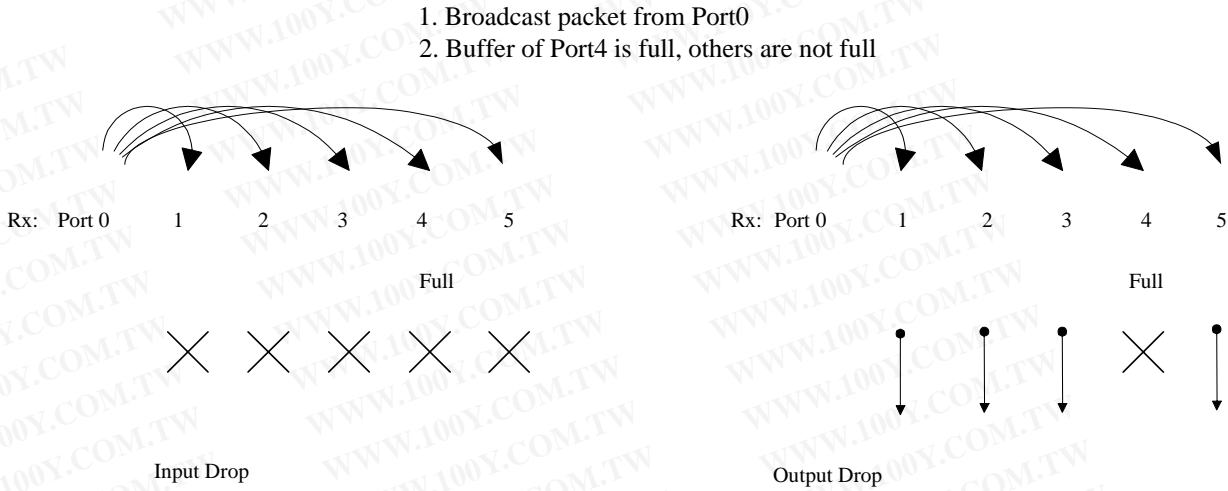
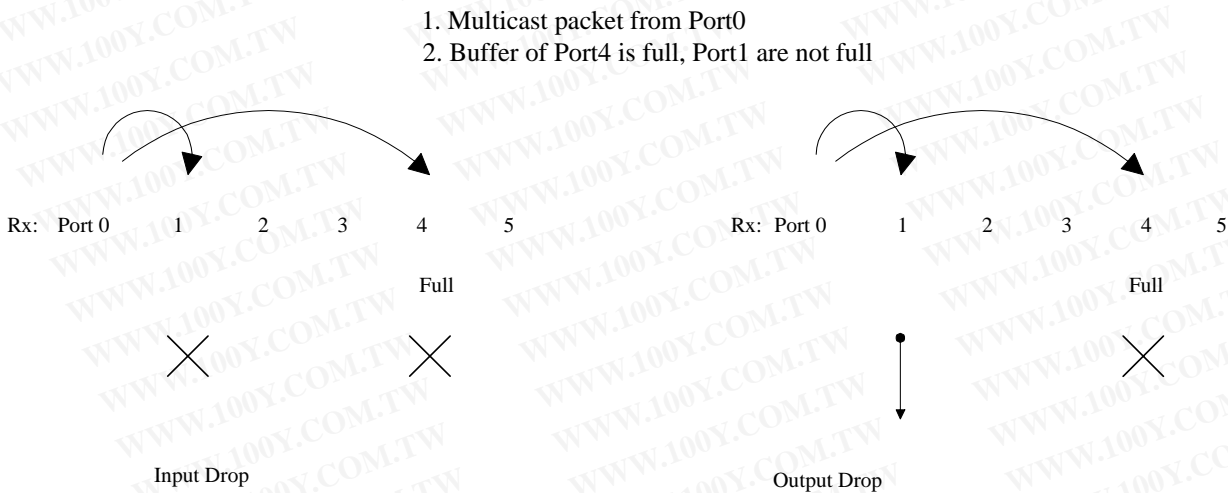
For the RTL8306SD/RTL8306SDM, the dropping of broadcast, multicast and unknown DA frames can be controlled independently.

The Input/Output drop behavior abides by the rules shown in Table 24.

Table 24. Behavior According to En_input, En_Bro_input, En_Mul_input, En_UDA_input

| En_input | | | |
|----------|--------------|---|-------------|
| 0 | En_Bro_input | 0 | Output drop |
| | | 1 | Input drop |
| | En_Mul_input | 0 | Output drop |
| | | 1 | Input drop |
| | En_UDA_input | 0 | Output drop |
| | | 1 | Input drop |
| 1 | En_Bro_input | 0 | Input drop |
| | | 1 | Input drop |
| | En_Mul_input | 0 | Input drop |
| | | 1 | Input drop |
| | En_UDA_input | 0 | Input drop |
| | | 1 | Input drop |

勝特力材料 886-3-5753170
 勝特力电子(上海) 86-21-54151736
 勝特力电子(深圳) 86-755-83298787
[Http://www.100y.com.tw](http://www.100y.com.tw)


Figure 22. Broadcast Input Drop vs. Output Drop

Figure 23. Multicast Input Drop vs. Output Drop

勝特力材料 886-3-5753170
 勝特力电子(上海) 86-21-54151736
 勝特力电子(深圳) 86-755-83298787
[Http://www.100y.com.tw](http://www.100y.com.tw)

8.14. Port Mirroring

Supported by: RTL8306SD RTL8306SDM

The RTL8306SD/RTL8306SDM supports one set of mirroring functions for all 6 ports. The Mirror port can mirror both the TX and RX packets of the mirrored port. When a port is set as mirror port, mirrored packets will be sent to this port. Only one port can be set as mirror port. The mirror port can be selected in *Mirror Port ID [2:0]*. The mirrored TX port and the mirrored RX port can be selected in *Enable mirror port [5:0] TX* and *Enable mirror port [5:0] RX*.

If the mirror port and normal port send packets to mirrored ports at the same time, and mirror self filter is enabled (*Enable mirror filter=1*), mirrored TX packets will not include packets sent from the mirror port. For example, Port_M mirror port_N TX, Port_N TX packets include packets from port_M and port_L. If *Enable mirror filter=1*, port_M can only mirror packets from port_L.

If the SA and DA filter function is enabled (*Enable mirror function=1*), the mirror port can only mirror a TX mirrored port's packets with a matching DA (depending on the *Mirrored MAC address [47:0]* register setting). The Mirror port can also only mirror an RX mirrored port's packets with a matching SA (depending on the *Mirrored MAC address [47:0]* register setting).

The mirror port also has the VLAN mirror leaky function. When mirrored ports belong to one VLAN (A), and the mirror port belongs to another VLAN (B), the mirror port can mirror packets inter-VLAN when *Disable inter-VLANs mirror function=0*.

If the mirror port is not validated, it cannot mirror other ports. If the mirror port has been validated, but the mirrored port TX is not validated, the mirror port can mirror RX, but cannot mirror TX.

If the CPU port is set as mirror port, mirrored packets will have a CPU tag (if CPU tag function is enabled). If the CPU port is set as mirrored port, the mirror port cannot mirror packets with a CPU tag, but can mirror packets without a CPU tag.

When mirroring TX, if one queue by which packets are sent out is full, the Mirror port cannot mirror TX, but can mirror RX.

勝特力材料 886-3-5753170
勝特力电子(上海) 86-21-54151736
勝特力电子(深圳) 86-755-83298787
[Http://www.100y.com.tw](http://www.100y.com.tw)

8.15. LED Function

Supported by: RTL8306SD RTL8306SDM

The RTL8306SD/RTL8306SDM provides flexible LED functions for diagnostics. These include: three combinations of link, activity, speed, duplex and collision, which are ideal for bi-color LED displays.

The RTL8306SD/RTL8306SDM provides a CPU controlling LED function. Some registers are defined to control LED displays.

The RTL8306SD/RTL8306SDM also provides a loop detection function and alarm, for network existence notification, with an output pin that can be designed as a visual LED or a status input pin for a CPU.

Each port has four LED indicator pins. These are divided into 4 groups (A, B, C, D). When the RTL8306SD/RTL8306SDM controls an LED, each pin may have different indicator meanings, as set by pins LEDMODE[1:0]. When the CPU controls an LED, each pin's indicator meaning is set according to the meaning set in the corresponding register.

All LED statuses are represented as active-low or high depending on input strapping, except Bi-color Link/Act in Bi-color LED mode, whose polarity depends on Spd status.

The RTL8306SD/RTL8306SDM supports four parallel LEDs (Group A, B, C, D) for each port, and two special LEDs (SELMIMAC# and LOOPLED#). Each port has four LED indicator pins. Upon reset, the RTL8306SD/RTL8306SDM checks LED functions by blinking all LEDs once for 320ms. This function can be disabled by asserting EN_RST_LINK to 0.

LED_BLINK_TIME determines the LED blinking period for activity and collision (1: 43ms and 0: 120ms). The parallel LEDs corresponding to port 4 can be tri-stated (disable LED functions) for MII port application by setting ENP4LED to 0. In UTP applications, this bit should be set to 1.

All LED pins are dual function pins: input operation for configuration upon reset, and output operation for LED after reset. If the pin input is floating upon reset, the pin output is active low after reset. Otherwise, if the pin input is pulled down upon reset, the pin output is active high after reset. Exception: Bi-color Link/Act mode of pin LED_ADD[4:0] when LED Mode[1:0]=10.

For detailed descriptions of these pins, refer to Table 7, page 24, and Table 25, page 83.

The following page shows example circuits for LEDs. Typical values for pull-down resistors are 10KΩ.

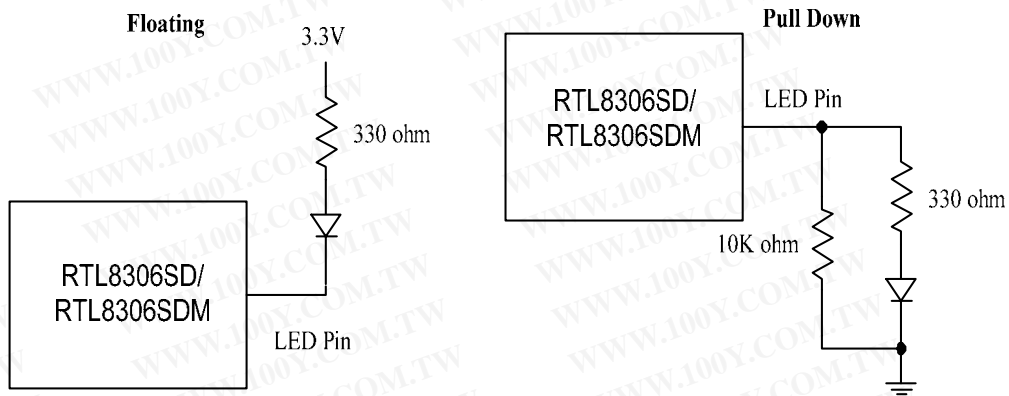


Figure 24. Floating and Pull-Down of LED Pins for Single-Color LED

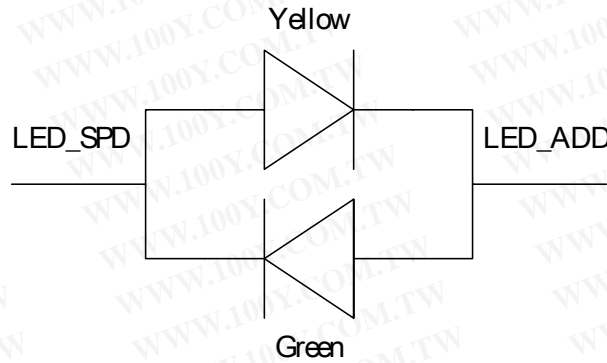


Figure 25. Two-Pin Bi-Color LED for SPD Floating or Pull-high

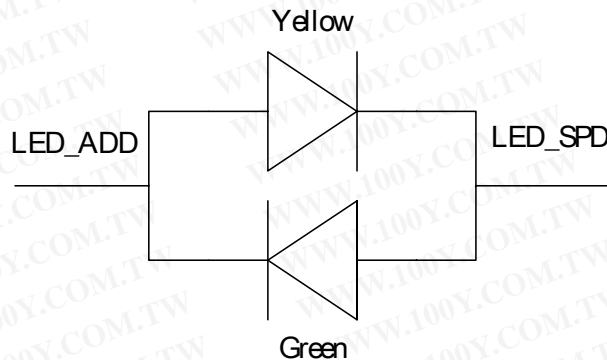


Figure 26. Two-Pin Bi-Color LED for SPD Pull-down

Note: The polarity of the Bi-color LED should be reversed when Group B pins' input changes.

8.15.1. RTL8306SD/RTL8306SDM Controlling LED

For single-color LEDs, each pin may have different indicator meanings set by pins LEDMode[1:0]. For detailed descriptions, refer to Table 7, page 24, and Table 25, page 83.

For two-pin Bi-color LED mode (LEDMode[1:0]=10), Bi-color Link/Act (pin LED_ADD) and Spd (pin LED_SPD) can be used for one Bi-color LED package, which is a single LED package with two LEDs connected in parallel with opposite polarity. When LEDMode[1:0]=10, the active status of LED_ADD is the opposite of LED_SPD.

Table 25. Spd and Bi-Color Link/Act Truth Table when RTL8306SD/RTL8306SDM Controlling LED

| Indication | Bi-Color State | Spd: Input=Floating, Active Low. Bi-color Link/Act: The active status of LED_ADD is the opposite of LED_SPD and does not interact with input upon reset. | | Spd: Input=Pull-down, Active high. Bi-color Link/Act: The active status of LED_ADD is the opposite of LED_SPD and does not interact with input upon reset. | |
|------------|----------------|---|----------|---|----------|
| | | Spd | Link/Act | Spd | Link/Act |
| No Link | Both Off | 0 | 0 | 0 | 0 |
| | | 1 | 1 | 1 | 1 |
| 100M Link | Green On | 0 | 1 | 1 | 0 |
| 10M Link | Yellow On | 1 | 0 | 0 | 1 |
| 100M Act | Green Flash | 0 | Flash | 1 | Flash |
| 10M Act | Yellow Flash | 1 | Flash | 0 | Flash |

Note: '1' or '0' in table means pin output High/Low.

勝特力材料 886-3-5753170
 勝特力电子(上海) 86-21-54151736
 勝特力电子(深圳) 86-755-83298787
[Http://www.100y.com.tw](http://www.100y.com.tw)

8.15.2. CPU Controlling LED

For single-color LED, LEDs display corresponding registers.

For two-pin Bi-color LED mode (GroupB_Control=1, GroupD_Control=1), the active status of Bi-color LEDs only depends on group B pins' input upon reset. The pin output follows the rules below:

- Group B pins input High upon reset: Register=0->Pin output High
- Register=1->Pin output Low
- Group B pins input Low upon reset: Register=0->Pin output Low
- Register=1->Pin output High

Table 26. Bi-Color LED Truth Table when CPU Controlling LED

| Bi-Color State | Group B Register | Group D Register |
|----------------|------------------|------------------|
| Both Off | 0 | 0 |
| | 1 | 1 |
| Green On | 1 | 0 |
| Yellow On | 0 | 1 |
| Green Flash | 1 | Flash |
| Yellow Flash | 0 | Flash |

勝特力材料 886-3-5753170
 勝特力电子(上海) 86-21-54151736
 勝特力电子(深圳) 86-755-83298787
[Http://www.100y.com.tw](http://www.100y.com.tw)

9. Register Descriptions

9.1. Register List

For PHY configuration, register 0~5 in PHY 0~4 are used for the 1st~5th PHY.

Register 0~5 in PHY 5 ~ 6 are used for the 5th and 6th MAC when Dual MII is enabled.

In this section the following abbreviations are used:

| | |
|---------------------------|----------------------------|
| RO: Read Only | LH: Latch High until clear |
| RW: Read/Write | SC: Self Clearing |
| LL: Latch Low until clear | |

Table 27. Register Descriptions

| Name | PHY | Page | Register | Register Description | Default |
|---------------------|---------------------------|------------|--|--|---------|
| Port 0 PHY Register | 0 | 0, 1, 2, 3 | 0 | Control Register | 0x3100 |
| | | | 1 | Status Register | 0x7849 |
| | | | 2 | PHY Identifier 1 | 0x001C |
| | | | 3 | PHY Identifier 2 | 0xC852 |
| | | | 4 | Auto-Negotiation Advertisement Register | 0x05E1 |
| | | | 5 | Auto-Negotiation Link Partner Ability Register | 0x0001 |
| | | | 16 | Global Control Register 0 | 0x07FA |
| | | 0, 1 | 18 | Global Control Register 2 | 0x7FFF |
| | | | 19 | Global Control Register 3 | 0xFFFF |
| | | | 22 | Port 0 Control Register 0 | 0x877F |
| 24 | Port 0 Control Register 1 | | 0x0ED1 | | |
| Port 1 PHY Register | 1 | 0, 1, 2, 3 | 0 | Control Register | 0x3100 |
| | | | 1 | Status Register | 0x7849 |
| | | | 2 | PHY Identifier 1 | 0x001C |
| | | | 3 | PHY Identifier 2 | 0xC852 |
| | | | 4 | Auto-Negotiation Advertisement Register | 0x05E1 |
| | | 5 | Auto-Negotiation Link Partner Ability Register | 0x0001 | |
| | | 0, 1 | 22 | Port 1 Control Register 0 | 0x877F |
| | | | 24 | Port 1 Control Register 1 | 0x1ED2 |
| | | | | | |
| Port 2 PHY Register | 2 | 0, 1, 2, 3 | 0 | Control Register | 0x3100 |
| | | | 1 | Status Register | 0x7849 |
| | | | 2 | PHY Identifier 1 | 0x001C |
| | | | 3 | PHY Identifier 2 | 0xC852 |
| | | | 4 | Auto-Negotiation Advertisement Register | 0x05E1 |
| | | 5 | Auto-Negotiation Link Partner Ability Register | 0x0001 | |
| | | 0, 1 | 22 | Port 2 Control Register 0 | 0x877F |
| | | | 23 | Global Option Register 1 | 0x0020 |
| | | | | | |

| Name | PHY | Page | Register | Register Description | Default |
|-----------------------------|-----|------------|--|--|---------|
| | | | 24 | Port 2 Control Register 1 | 0x2ED4 |
| Port 3 PHY Register | 3 | 0, 1, 2, 3 | 0 | Control Register | 0x3100 |
| | | | 1 | Status Register | 0x7849 |
| | | | 2 | PHY Identifier 1 | 0x001C |
| | | | 3 | PHY Identifier 2 | 0xC852 |
| | | | 4 | Auto-Negotiation Advertisement Register | 0x05E1 |
| | | | 5 | Auto-Negotiation Link Partner Ability Register | 0x0001 |
| | | 0, 1 | 16 | Switch MAC Address | 0x5452 |
| | | | 17 | Switch MAC Address | 0x834C |
| | | | 18 | Switch MAC Address | 0xC005 |
| | | | 22 | Port 3 Control Register 0 | 0x877F |
| | | | 24 | Port 3 Control Register 1 | 0x3ED8 |
| Port 4 PHY Register | 4 | 0, 1, 2, 3 | 0 | Control Register | 0x3100 |
| | | | 1 | Status Register | 0x7849 |
| | | | 2 | PHY Identifier 1 | 0x001C |
| | | | 3 | PHY Identifier 2 | 0xC852 |
| | | | 4 | Auto-Negotiation Advertisement Register | 0x05E1 |
| | | 5 | Auto-Negotiation Link Partner Ability Register | 0x0001 | |
| | | 0, 1 | 22 | Port 4 Control Register 0 | 0x877F |
| | | | 24 | Port 4 Control Register 1 | 0x4EDF |
| PHY Register for port 4 MAC | 5 | 0, 1, 2, 3 | 0 | Control Register | 0x3100 |
| | | | 1 | Status Register | 0x7869 |
| | | | 2 | PHY Identifier 1 | 0x001C |
| | | | 3 | PHY Identifier 2 | 0xC852 |
| | | | 4 | Auto-Negotiation Advertisement Register | 0x05E1 |
| | | | 5 | Auto-Negotiation Link Partner Ability Register | 0x05E1 |
| PHY Register for Port 5 MAC | 6 | 0, 1, 2, 3 | 0 | Control Register | 0x2100 |
| | | | 1 | Status Register | 0x7869 |
| | | | 2 | PHY Identifier 1 | 0x001C |
| | | | 3 | PHY Identifier 2 | 0xC852 |
| | | | 4 | Auto-Negotiation Advertisement Register | 0x05E1 |
| | | 5 | Auto-Negotiation Link Partner Ability Register | 0x05E1 | |
| | | 0, 1 | 22 | Port 5 Control Register 0 | 0x073F |
| | | | 24 | Port 5 Control Register 1 | 0x8EFF |

勝特力材料 886-3-5753170
 勝特力电子(上海) 86-21-54151736
 勝特力电子(深圳) 86-755-83298787
[Http://www.100y.com.tw](http://www.100y.com.tw)

9.2. PHY 0 Registers

9.2.1. PHY 0 Register 0 (Page 0, 1, 2, 3): Control

Table 28. PHY 0 Register 0 (Page 0, 1, 2, 3): Control

| Reg.bit | Name | Mode | Description | Default |
|---------|-----------------------------------|-------|--|--|
| 0.15 | Reset | RW/SC | 1: PHY reset. This bit is self-clearing. | 0 |
| 0.14 | Loopback (Digital loopback) | RW | 1: Enable loopback. This will loopback TXD to RXD and ignore all activity on the cable media 0: Normal operation This function is usable only when this PHY is operated in 10Base-T full duplex or 100Base-TX full duplex. | 0 |
| 0.13 | Speed Select | RW | 1: 100Mbps 0: 10Mbps When NWay is enabled, this bit reflects the result of auto-negotiation (Read only). When NWay is disabled, this bit can be set through SMI. (Read/Write). | From pin 107 GxSpd100 strapping option, default 1 |
| 0.12 | Auto Negotiation Enable | RW | 1: Enable auto-negotiation process 0: Disable auto-negotiation process This bit can be set through SMI (Read/Write). | From pin 104 GxANEG strapping option, default 1 |
| 0.11 | Power Down | RW | 1: Power down. All functions will be disabled except SMI function 0: Normal operation | 0 |
| 0.10 | Isolate | RW | 1: Electrically isolates the PHY from MII. PHY is still able to respond to MDC/MDIO 0: Normal operation | 0 |
| 0.9 | Restart Auto Negotiation | RW/SC | 1: Restart Auto-Negotiation process 0: Normal operation | 0 |
| 0.8 | Duplex Mode | RW | 1: Full duplex operation 0: Half duplex operation When NWay is enabled (Reg0.12=1), this bit reflects the result of auto-negotiation (Read only). When NWay is disabled (Reg0.12=0, force mode of UTP), this bit can be set through SMI (Read/Write). | From pin 109 strapping option, default 1 |
| 0.[7:0] | Reserved | - | - | 0000 0000 |

勝特力材料 886-3-5753170
 勝特力电子(上海) 86-21-54151736
 勝特力电子(深圳) 86-755-83298787
[Http://www.100y.com.tw](http://www.100y.com.tw)

9.2.2. PHY 0 Register 1 (Page 0, 1, 2, 3): Status

Table 29. PHY 0 Register 1 (Page 0, 1, 2, 3): Status

| Reg.bit | Name | Mode | Description | Default |
|----------|--------------------------|-------|--|---------|
| 1.15 | 100Base_T4 | RO | 0: No 100Base-T4 capability | 0 |
| 1.14 | 100Base_TX_FD | RO | 1: 100Base-TX full duplex capable 0: Not 100Base-TX full duplex capable | 1 |
| 1.13 | 100Base_TX_HD | RO | 1: 100Base-TX half duplex capable 0: Not 100Base-TX half duplex capable | 1 |
| 1.12 | 10Base_T_FD | RO | 1: 10Base-TX full duplex capable 0: Not 10Base-TX full duplex capable | 1 |
| 1.11 | 10Base_T_HD | RO | 1: 10Base-TX half duplex capable 0: Not 10Base-TX half duplex capable | 1 |
| 1.[10:7] | Reserved | RO | - | 0000 |
| 1.6 | MF Preamble Suppression | RO | The RTL8306SD/RTL8306SDM will accept management frames with preamble suppressed. (The RTL8306SD/RTL8306SDM accepts management frames without preamble. 32 minimum preamble bits are required for the first SMI read/write transaction after reset. One idle bit is required between any two management transactions as defined in the IEEE 802.3u). | 1 |
| 1.5 | Auto-negotiate Complete | RO | 1: Auto-negotiation process completed. MII Reg.4 and 5 are valid if this bit is set 0: Auto-negotiation process not completed | 0 |
| 1.4 | Remote Fault | RO/LH | 1: Remote fault condition detected 0: No remote fault | 0 |
| 1.3 | Auto-Negotiation Ability | RO | 1: NWay auto-negotiation capable (permanently =1) | 1 |
| 1.2 | Link Status | RO/LL | 1: Link is established. If the link fails, this bit will be 0 until after reading this bit again 0: Link has failed | 0 |
| 1.1 | Jabber Detect | RO/LH | 0: No Jabber detected RTL8306SD/RTL8306SDM does not support this function | 0 |
| 1.0 | Extended Capability | RO | 1: Extended register capable (permanently =1) | 1 |

9.2.3. PHY 0 Register 2 (Page 0, 1, 2, 3): PHY Identifier 1

Table 30. PHY 0 Register 2 (Page 0, 1, 2, 3): PHY Identifier 1

| Reg.bit | Name | Mode | Description | Default |
|----------|------|------|---|---------|
| 2.[15:0] | OUI | RO | Composed of the 3 rd to 18 th bits of the Organizationally Unique Identifier (OUI), respectively. | 0x001C |

9.2.4. PHY 0 Register 3 (Page 0, 1, 2, 3): PHY Identifier 2

Table 31. PHY 0 Register 3 (Page 0, 1, 2, 3): PHY Identifier 2

| Reg.bit | Name | Mode | Description | Default |
|-----------|-----------------|------|--|---------|
| 3.[15:10] | OUI | RO | Assigned to the 19th through 24th bits of the OUI. | 110010 |
| 3.[9:4] | Model Number | RO | Manufacturer's model number 05. | 000101 |
| 3.[3:0] | Revision Number | RO | Manufacturer's revision number 02. | 0010 |

9.2.5. PHY 0 Register 4 (Page 0, 1, 2, 3): Auto-Negotiation Advertisement

Table 32. PHY 0 Register 4 (Page 0, 1, 2, 3): Auto-Negotiation Advertisement

| Reg.bit | Name | Mode | Description | Default |
|---------|----------------|------|---|---|
| 4.15 | Next Page | RO | 1: Next Page enabled 0: Next Page disabled (Permanently =0) | 0 |
| 4.14 | Acknowledge | RO | Permanently =0 | 0 |
| 4.13 | Remote Fault | RW | 1: Advertises that the RTL8306SD/RTL8306SDM has detected a remote fault 0: No remote fault detected | 0 |
| 4.12 | Reserved | RO | - | 0 |
| 4.11 | Asym Pause | RW | 1: Enable Asymmetric Pause 0: Disable Asymmetric Pause | 0 |
| 4.10 | Pause | RW | 1: Advertises that the RTL8306SD/RTL8306SDM possesses 802.3x flow control capability 0: No flow control capability | From pin 76 strapping option, default 1 |
| 4.9 | 100Base-T4 | RO | Technology not supported (Permanently =0) | 0 |
| 4.8 | 100Base-TX-FD | RW | 1: 100Base-TX full duplex capable 0: Not 100Base-TX full duplex capable | From pin 107, 109 strapping option |
| 4.7 | 100Base-TX | RW | 1: 100Base-TX half duplex capable 0: Not 100Base-TX half duplex capable | From pin 107, 109 strapping option |
| 4.6 | 10Base-T-FD | RW | 1: 10Base-TX full duplex capable 0: Not 10Base-TX full duplex capable | From pin 107, 109 strapping option |
| 4.5 | 10Base-T | RW | 1: 10Base-TX half duplex capable 0: Not 10Base-TX half duplex capable | 1 |
| 4.[4:0] | Selector Field | RW | [00001]=IEEE 802.3 | 00001 |

勝特力材料 886-3-5753170
勝特力电子(上海) 86-21-54151736
勝特力电子(深圳) 86-755-83298787
[Http://www.100y.com.tw](http://www.100y.com.tw)

9.2.6. PHY 0 Register 5 (Page 0, 1, 2, 3): Auto-Negotiation Link Partner Ability

Table 33. PHY 0 Register 5 (Page 0, 1, 2, 3): Auto-Negotiation Link Partner Ability

| Reg.bit | Name | Mode | Description | Default |
|---------|----------------|------|--|---------|
| 5.15 | Next Page | RO | 1: Link partner desires Next Page transfer 0: Link partner does not desire Next Page transfer | 0 |
| 5.14 | Acknowledge | RO | 1: Link Partner acknowledges reception of Fast Link Pulse (FLP) words 0: Not acknowledged by Link Partner | 0 |
| 5.13 | Remote Fault | RO | 1: Remote Fault indicated by Link Partner 0: No remote fault indicated by Link Partner | 0 |
| 5.12 | Reserved | RO | - | 0 |
| 5.11 | Asym Pause | RO | 1: Enable Asymmetric Pause 0: Disable Asymmetric Pause | 0 |
| 5.10 | Pause | RO | 1: Flow control supported by Link Partner 0: Flow control not supported by Link Partner | 0 |
| 5.9 | 100Base-T4 | RO | 1: 100Base-T4 supported by Link Partner 0: 100Base-T4 not supported by Link Partner | 0 |
| 5.8 | 100Base-TX-FD | RO | 1: 100Base-TX full duplex supported by Link Partner 0: 100Base-TX full duplex not supported by Link Partner When auto negotiation is disabled, this bit will be set if Reg0.13=1 and Reg0.8=1 after link is established. | 0 |
| 5.7 | 100Base-TX | RO | 1: 100Base-TX half duplex supported by Link Partner 0: 100Base-TX half duplex not supported by Link Partner When auto negotiation is disabled, this bit will be set if Reg0.13=1 and Reg0.8=0 after link is established. | 0 |
| 5.6 | 10Base-T-FD | RO | 1: 10Base-TX full duplex supported by Link Partner 0: 10Base-TX full duplex not supported by Link Partner When auto negotiation is disabled, this bit will be set if Reg0.13=0 and Reg0.8=1 after link is established. | 0 |
| 5.5 | 10Base-T | RO | 1: 10Base-TX half duplex supported by Link Partner 0: 10Base-TX half duplex not supported by Link Partner. When auto negotiation is disabled, this bit will be set if Reg0.13=0 and Reg0.8=0 after link is established. | 0 |
| 5.[4:0] | Selector Field | RO | [00001]=IEEE 802.3 | 00001 |

勝特力材料 886-3-5753170
 勝特力电子(上海) 86-21-54151736
 勝特力电子(深圳) 86-755-83298787
[Http://www.100y.com.tw](http://www.100y.com.tw)

9.2.7. PHY 0 Register 16 (Page 0, 1, 2, 3): Global Control 0

Table 34. PHY 0 Register 16 (Page 0, 1, 2, 3): Global Control 0

| Reg.bit | Name | Mode | Description | Default |
|-----------|--|------|--|---|
| 16.15 | Page selection (Selpage) | RW | [~16.1 16.15] 00=Select the registers in page 0 01=Select the registers in page 1 10=Select the registers in page 2 11=Select the registers in page 3 | 0 |
| 16.[14:8] | Reserved | - | - | 0000111 |
| 16.7 | EEPROM existence | RO | 1: EEPROM does not exist. (pin EnEEPROM=0 or pin EnEEPROM=1 but EEPROM does not exist) 0: EEPROM exists (pin EnEEPROM=1 and EEPROM exists) | From Pin 73 ENEEPRO M strapping option, default 1 |
| 16.6 | Reserved | - | - | 1 |
| 16.5 | IEEE 802.3x transmit flow control enable | RW | 1: Enable transmit flow control based on auto-negotiation results 0: Will not enable transmit flow control no matter what the auto-negotiation result is <i>Note: This bit is global and has higher priority than NWAY result.</i> | 1 |
| 16.4 | IEEE 802.3x receive flow control enable | RW | 1: When the RTL8306SD/RTL8306SDM receives a pause control frame, it has the ability to stop the next transmission of a normal frame until the timer is expired based on the auto negotiation result 0: Will not flow control received frames no matter what the auto-negotiation result is <i>Note: This bit is global and has higher priority than NWAY result.</i> | 1 |
| 16.3 | Enable port 4 LED | RW | 1: Drive LED pin of port 4 0: Do not drive LED pins of port 4 for special application. In UTP application, this bit should be set to 1 to drive LEDs of port 4 | 1 |
| 16.2 | Enable loop detection function | RW | 1: Enable loop detection function 0: Disable loop detection function | 0 |
| 16.1 | Page selection (Selpage) | RW | [~16.1 16.15] 00=Select the registers in page 0 01=Select the registers in page 1 10=Select the registers in page 2 11=Select the registers in page 3 | 1 |
| 16.0 | Reserved | - | - | 0 |

勝特力材料 886-3-5753170
 勝特力电子(上海) 86-21-54151736
 勝特力电子(深圳) 86-755-83298787
[Http://www.100y.com.tw](http://www.100y.com.tw)

9.2.8. PHY 0 Register 18 (Page 0, 1): Global Control 2

Table 35. PHY 0 Register 18 (Page 0, 1): Global Control 2

| Reg.bit | Name | Mode | Description | Default |
|------------|--------------------------|------|--|--|
| 18.15 | Reserved | - | - | 0 |
| 18.14 | Maximum Frame Length | RW | 1: 1536 Byte 0: 1552 Byte | Pin 114 Max1536 strap option Default = 1 |
| 18.[13:10] | Reserved | - | - | 1111 |
| 18.9 | Enable 48 pass 1 | RW | 1: 48 pass 1, continuously collides 48 input packets then passes 1 packet to retain system resource and avoid partition in the repeater when the packet buffer is full 0: Continuously collides to avoid packet loss when the packet buffer is full | Pin 97 En48pass1 strap option Default = 1 |
| 18.8 | Reserved | - | - | 1 |
| 18.7 | Disable HomePlug | RW | 1: Disable HomePlug: Use input RXDV as CRS of Port4MII 0: Enable HomePlug: Use input pin 48 P4FULL as CRS of Port4MII | Pin 92 DISHOMEPLUG strap option Default = 1 |
| 18.6 | Enable defer | RW | 1: Enable carrier sense deferring for half duplex back pressure 0: Disable carrier sense deferring for half duplex back pressure | Pin 90 EnDefer strap option Default = 1 |
| 18.5 | LED blink time | RW | 1: On 43ms, then Off 43ms 0: On 120ms, then Off 120ms | Pin 89 LED_BLNK_TIME strap option Default = 1 |
| 18.[4:2] | Reserved | - | - | 111 |
| 18.1 | Enable power-on blinking | RW | 1: Enable power-on LED blinking for diagnosis 0: Disable power-on LED blinking for diagnosis | Pin 71 En_Rst_Blnk strap option Default = 1 |
| 18.0 | Reserved | - | - | 1 |

9.2.9. PHY 0 Register 19 (Page 0, 1): Global Control 3

Table 36. PHY 0 Register 19 (Page 0,1): Global Control 3

| Reg.bit | Name | Mode | Description | Default |
|------------|---------------|------|--|--|
| 19.[15:14] | Reserved | - | - | 11 |
| 19.[13:12] | LED Mode[1:0] | RW | 11: Mode 3: Speed, Link+Act, Duplex+Col, Link/Act/Speed 10: Mode 2: Speed, Act, Duplex/Col, Bi-color Link/Activity 01: Mode 1: Speed, RxAct, TxAct, Link 00: Mode 0: Speed, Link+Act, Col, Duplex | Pin 55, 54 LEDMode[1:0] strap option Default = 11 |
| 19.11 | Reserved | - | - | 1 |
| 19.[10:0] | Reserved | - | - | 111 11111111 |

9.2.10. PHY 0 Register 22 (Page 0, 1): Port 0 Control Register 0

Table 37. PHY 0 Register 22 (Page 0, 1): Port 0 Control Register 0

| Reg.bit | Name | Mode | Description | Default |
|------------|---|------|---|--|
| 22.15 | Reserved | - | - | 1 |
| 22.14 | Reserved | - | - | 0 |
| 22.13 | Port 0 Local loopback | RW | 1: Perform 'local loopback', i.e. loop MAC's RX back to TX 0: Normal operation | 0 |
| 22.[12:11] | Reserved | - | - | 00 |
| 22.10 | Port 0 802.1p priority Disable | RW | 1: Disable 802.1p priority classification for ingress packets on port 0 0: Enable 802.1p priority classification | Pin 91 DisTagPri strap option Default = 1 |
| 22.9 | Port 0 Diffserv priority Disable | RW | 1: Disable Diffserv priority classification for ingress packets on port 0 0: Enable Diffserv priority classification | Pin 68 DisDSPri strap option Default = 1 |
| 22.8 | Port 0 port-based priority Disable | RW | 1: Disable port based priority QoS function on port 0 0: Enable port based priority QoS function on port 0. Ingress packet on port 0 will be classified as high priority | Pin 83 DisPortPri[0] strap option Default = 1 |
| 22.7 | SetAsym0 | RW | Same as the Register 4.11 | 0 |
| 22.6 | Port 0 auto negotiation Enable | RW | 1: Enable port 0 auto negotiation 0: Disable port 0 auto negotiation, the speed and duplex are decided by bit 5 and 4 of this register | From pin 104 GxANEG strapping option, default 1 |
| 22.[5:4] | Port 0 Speed and Duplex ability | RW | In Auto-negotiation mode: 11: MII Reg.0.8=1, 0.13=1, 4.8=1, 4.7=1, 4.6=1, 4.5=1 10: MII Reg.0.8=0, 0.13=1, 4.8=0, 4.7=1, 4.6=1, 4.5=1 01: MII Reg.0.8=1, 0.13=0, 4.8=0, 4.7=0, 4.6=1, 4.5=1 00: MII Reg.0.8=0, 0.13=0, 4.8=0, 4.7=0, 4.6=0, 4.5=1 In Force mode: 11: MII Reg.0.8=1, 0.13=1, 4.8=1, 4.7=0, 4.6=0, 4.5=0 10: MII Reg.0.8=0, 0.13=1, 4.8=0, 4.7=1, 4.6=0, 4.5=0 01: MII Reg.0.8=1, 0.13=0, 4.8=0, 4.7=0, 4.6=1, 4.5=0 00: MII Reg.0.8=0, 0.13=0, 4.8=0, 4.7=0, 4.6=0, 4.5=1 | From pin 107, 109 strapping option |
| 22.3 | Port 0 802.3x flow control ability Enable | RW | 1: Enable port 0 full duplex flow control ability 0: Disable port 0 full duplex flow control ability | From pin 76 GxENFC strapping option default 1 |
| 22.2 | Port 0 Backpressure Enable | RW | 1: Enable port 0 half duplex backpressure 0: Disable port 0 half duplex backpressure | From pin 78 ENBKPRS strapping option |
| 22.[1:0] | Reserved | | | 11 |

9.2.11. PHY 0 Register 24 (Page 0, 1): Port 0 Control Register 1

Table 38. PHY 0 Register 24 (Page 0,1): Port 0 Control Register 1

| Reg.bit | Name | Mode | Description | Default |
|------------|------------------------------|------|---|---|
| 24.[15:12] | Reserved | - | - | 0000 |
| 24.11 | Port 0 Transmission Enable | RW | 1: Enable packet transmission on port 0 0: Disable packet transmission on port 0 | 1 |
| 24.10 | Port 0 Reception Enable | RW | 1: Enable packet reception on port 0 0: Disable packet reception on port 0 | 1 |
| 24.9 | Port 0 Learning Enable | RW | 1: Enable switch address learning capability 0: Disable switch address learning capability | 1 |
| 24.8 | Port 0 Loop Status | RO | 1: A loop has been detected on port 0 0: No loop exists on port 0 | 0 |
| 24.7 | Port 0 Auto Crossover Enable | RW | 1: Enable auto crossover detection of port 0 0: Disable auto crossover detection of port 0 | Pin 69 En_AutoXover strap option Default = 1 |
| 24.6 | Port 0 MDI or MDIX Select | RW | 1: Medium interface of port 0 is MDI when auto crossover detection is disabled 0: Medium interface of port 0 is MDIX when auto crossover detection is disabled | 1 |
| 24.[5:0] | Reserved | - | - | 01 0001 |

9.3. PHY 1 Registers

9.3.1. PHY 1 Register 0 (Page 0, 1, 2, 3): Control

This register has the same definition as PHY 0 Register 0 (Page 0, 1, 2, 3): Control, page 87.

9.3.2. PHY 1 Register 1 (Page 0, 1, 2, 3): Status

This register has the same definition as PHY 0 Register 1 (Page 0, 1, 2, 3): Status, page 88.

9.3.3. PHY 1 Register 2 (Page 0, 1, 2, 3): PHY Identifier 1

This register has the same definition as PHY 0 Register 2 (Page 0, 1, 2, 3): PHY Identifier 1, page 88.

9.3.4. PHY 1 Register 3 (Page 0, 1, 2, 3): PHY Identifier 2

This register has the same definition as PHY 0 Register 3 (Page 0, 1, 2, 3): PHY Identifier 2, page 89.

9.3.5. PHY 1 Register 4 (Page 0, 1, 2, 3): Auto-Negotiation Advertisement

This register has the same definition as PHY 0 Register 4 (Page 0, 1, 2, 3): Auto-Negotiation Advertisement, page 89.

9.3.6. PHY 1 Register 5 (Page 0, 1, 2, 3): Auto-Negotiation Link Partner Ability

This register has the same definition as PHY 0 Register 5 (Page 0, 1, 2, 3): Auto-Negotiation Link Partner Ability, page 90.

9.3.7. PHY 1 Register 22 (Page 0, 1): Port 1 Control Register 0

This register has the same definition as PHY 0 Register 22 (Page 0, 1): Port 0 Control Register 0, page 93.

(Note: Reg 22.8 is pin DisPortPri[1] strap option for port 1. Default value for 22.8 is 1.)

9.3.8. PHY 1 Register 24 (Page 0, 1): Port 1 Control Register 1

Table 39. PHY 1 Register 24 (Page 0,1): Port 1 Control Register 1

| Reg.bit | Name | Mode | Description | Default |
|------------|------------------------------|------|---|--|
| 24.[15:12] | Reserved | - | - | 0001 |
| 24.11 | Port 1 Transmission Enable | RW | 1: Enable packet transmission on port 1 0: Disable packet transmission on port 1 | 1 |
| 24.10 | Port 1 Reception Enable | RW | 1: Enable packet reception on port 1 0: Disable packet reception on port 1 | 1 |
| 24.9 | Port 1 Learning Enable | RW | 1: Enable switch address learning capability 0: Disable switch address learning capability | 1 |
| 24.8 | Port 1 Loop Status | RO | 1: A loop has been detected on port 1 0: No loop exists on port 1 | 0 |
| 24.7 | Port 1 auto crossover Enable | RW | 1: Enable auto crossover detection of port 1 0: Disable auto crossover detection of port 1 | Pin 69 strapping option Default = 1 |
| 24.6 | Port 1 MDI or MDIX Select | RW | 1: Medium interface of port 1 is MDI when auto crossover detection is disabled 0: Medium interface of port 1 is MDIX when auto crossover detection is disabled | 1 |
| 24.[5:0] | Reserved | - | - | 01 0010 |

9.4. PHY 2 Registers

9.4.1. PHY 2 Register 0 (Page 0, 1, 2, 3): Control

This register has the same definition as PHY 0 Register 0 (Page 0, 1, 2, 3): Control, page 87.

9.4.2. PHY 2 Register 1 (Page 0, 1, 2, 3): Status

This register has the same definition as PHY 0 Register 1 (Page 0, 1, 2, 3): Status, page 88.

9.4.3. PHY 2 Register 2 (Page 0, 1, 2, 3): PHY Identifier 1

This register has the same definition as PHY 0 Register 2 (Page 0, 1, 2, 3): PHY Identifier 1, page 88.

9.4.4. PHY 2 Register 3 (Page 0, 1, 2, 3): PHY Identifier 2

This register has the same definition as PHY 0 Register 3 (Page 0, 1, 2, 3): PHY Identifier 2, page 89.

9.4.5. PHY 2 Register 4 (Page 0, 1, 2, 3): Auto-Negotiation Advertisement

This register has the same definition as PHY 0 Register 4 (Page 0, 1, 2, 3): Auto-Negotiation Advertisement, page 89.

9.4.6. PHY 2 Register 5 (Page 0, 1, 2, 3): Auto-Negotiation Link Partner Ability

This register has the same definition as PHY 0 Register 5 (Page 0, 1, 2, 3): Auto-Negotiation Link Partner Ability, page 90.

9.4.7. PHY 2 Register 22 (Page 0, 1): Port 1 Control Register 0

This register has the same definition as PHY 0 Register 22 (Page 0, 1): Port 0 Control Register 0, page 93.

(Note: Reg 22.8 is pin DisPortPri[1] strap option for port 1. Default value for 22.8 is 1.)

9.4.8. PHY 2 Register 23 (Page 0, 1): Global Option Register 1

Table 40. PHY 2 Register 23 (Page 0,1): Global Option Register 1

| Reg.bit | Name | Mode | Description | Default |
|-----------|----------|------|--|-------------------|
| 23.[15] | FixIPG | RW | 0: IPG compensation 1: Fix IPG to 96bit | 0 |
| 23.[14:0] | Reserved | - | - | 0000000100 000 |

9.4.9. PHY 2 Register 24 (Page 0,1): Port 2 Control Register 2

Table 41. PHY 2 Register 24(Page 0,1): Port 2 Control Register 2

| Reg.bit | Name | Mode | Description | Default |
|------------|---|------|---|--|
| 24.[15:12] | Reserved | - | - | 0010 |
| 24.11 | Port 2 Transmission Enable | RW | 1: Enable packet transmission on port 2 0: Disable packet transmission on port 2 | 1 |
| 24.10 | Port 2 Reception Enable | RW | 1: Enable packet reception on port 2 0: Disable packet reception on port 2 | 1 |
| 24.9 | Port 2 Learning Enable | RW | 1: Enable switch address learning capability 0: Disable switch address learning capability | 1 |
| 24.8 | Port 2 Loop Status | RO | 1: A loop has been detected on port 2 0: No loop exists on port 2 | 0 |
| 24.7 | Port 2 auto crossover Enable (EnAutoMDIX) | RW | 1: Enable auto crossover detection of port 2 0: Disable auto crossover detection of port 2 | Pin 69 strapping option Default = 1 |
| 24.6 | Port 2 MDI or MDIX Select (SELMDI) | RW | 1: Medium interface of port 2 is MDI when auto crossover detection is disabled 0: Medium interface of port 2 is MDIX when auto crossover detection is disabled | 1 |
| 24.[5:0] | Reserved | - | - | 01 0100 |

勝特力材料 886-3-5753170
 勝特力电子(上海) 86-21-54151736
 勝特力电子(深圳) 86-755-83298787
[Http://www.100y.com.tw](http://www.100y.com.tw)

9.5. PHY 3 Registers

9.5.1. PHY 3 Register 0 (Page 0, 1, 2, 3): Control

This register has the same definition as PHY 0 Register 0 (Page 0, 1, 2, 3): Control, page 87.

9.5.2. PHY 3 Register 1 (Page 0, 1, 2, 3): Status

This register has the same definition as PHY 0 Register 1 (Page 0, 1, 2, 3): Status, page 88.

9.5.3. PHY 3 Register 2 (Page 0, 1, 2, 3): PHY Identifier 1

This register has the same definition as PHY 0 Register 2 (Page 0, 1, 2, 3): PHY Identifier 1, page 88.

9.5.4. PHY 3 Register 3 (Page 0, 1, 2, 3): PHY Identifier 2

This register has the same definition as PHY 0 Register 3 (Page 0, 1, 2, 3): PHY Identifier 2, page 89.

9.5.5. PHY 3 Register 4 (Page 0, 1, 2, 3): Auto-Negotiation Advertisement

This register has the same definition as PHY 0 Register 4 (Page 0, 1, 2, 3): Auto-Negotiation Advertisement, page 89.

9.5.6. PHY 3 Register 5 (Page 0, 1, 2, 3): Auto-Negotiation Link Partner Ability

This register has the same definition as PHY 0 Register 5 (Page 0, 1, 2, 3): Auto-Negotiation Link Partner Ability, page 90.

9.5.7. PHY 3 Register 16 (Page 0, 1, 2, 3): Switch MAC Address

Table 42. PHY 3 Register 16 (Page 0, 1, 2, 3): Switch MAC Address

| Reg.bit | Name | Mode | Description | Default |
|---------|----------------------------|------|---|---------|
| 16 | Switch MAC Address [47:32] | RW | 16.[15:8] = Switch MAC Address Byte 4 16.[7:0] = Switch MAC Address Byte 5 | 0x5452 |

9.5.8. PHY 3 Register 17~18 (Page 0, 1): Switch MAC Address

Table 43. PHY 3 Register 17~18 (Page 0, 1): Switch MAC Address

| Reg.bit | Name | Mode | Description | Default |
|---------|----------------------------|------|---|---------|
| 17 | Switch MAC Address [31:16] | RW | 17.[15:8] = Switch MAC Address Byte 2 17.[7:0] = Switch MAC Address Byte 3 | 0x834C |
| 18 | Switch MAC Address [15:0] | RW | 18.[15:8] = Switch MAC Address Byte 0 18.[7:0] = Switch MAC Address Byte 1 | 0xC005 |

9.5.9. PHY 3 Register 22 (Page 0, 1): Port 1 Control Register 0

This register has the same definition as PHY 0 Register 22 (Page 0, 1): Port 0 Control Register 0, page 93.

(Note: Reg 22.8 is pin DisPortPri[1] strap option for port 1. Default value for 22.8 is 1.)

9.5.10. PHY 3 Register 24 (Page 0, 1): Port 3 Control Register 1

Table 44. PHY 3 Register 24 (Page 0, 1): Port 3 Control Register 1

| Reg.bit | Name | Mode | Description | Default |
|------------|------------------------------|------|---|--|
| 24.[15:12] | Reserved | - | - | 0011 |
| 24.11 | Port 3 Transmission Enable | RW | 1: Enable packet transmission on port 3 0: Disable packet transmission on port 3 | 1 |
| 24.10 | Port 3 Reception Enable | RW | 1: Enable packet reception on port 3 0: Disable packet reception on port 3 | 1 |
| 24.9 | Port 3 Learning Enable | RW | 1: Enable switch address learning capability 0: Disable switch address learning capability | 1 |
| 24.8 | Port 3 Loop Status | RO | 1: A loop has been detected on port 3 0: No loop exists on port 3 | 0 |
| 24.7 | Port 3 auto crossover Enable | RW | 1: Enable auto crossover detection of port 3 0: Disable auto crossover detection of port 3 | Pin 69 strapping option Default = 1 |
| 24.6 | Port 3 MDI or MDIX Select | RW | 1: Medium interface of port 3 is MDI when auto crossover detection is disabled 0: Medium interface of port 3 is MDIX when auto crossover detection is disabled | 1 |
| 24.[5:0] | Reserved | - | - | 01 1000 |

勝特力材料 886-3-5753170
 勝特力电子(上海) 86-21-54151736
 勝特力电子(深圳) 86-755-83298787
[Http://www.100y.com.tw](http://www.100y.com.tw)

9.6. PHY 4 Registers

9.6.1. PHY 4 Register 0 (Page 0, 1, 2, 3): Control

This register has the same definition as PHY 0 Register 0 (Page 0, 1, 2, 3): Control, page 87.

9.6.2. PHY 4 Register 1 (Page 0, 1, 2, 3): Status

This register has the same definition as PHY 0 Register 1 (Page 0, 1, 2, 3): Status, page 88.

9.6.3. PHY 4 Register 2 (Page 0, 1, 2, 3): PHY Identifier 1

This register has the same definition as PHY 0 Register 2 (Page 0, 1, 2, 3): PHY Identifier 1, page 88.

9.6.4. PHY 4 Register 3 (Page 0, 1, 2, 3): PHY Identifier 2

This register has the same definition as PHY 0 Register 3 (Page 0, 1, 2, 3): PHY Identifier 2, page 89.

9.6.5. PHY 4 Register 4 (Page 0, 1, 2, 3): Auto-Negotiation Advertisement

This register has the same definition as PHY 0 Register 4 (Page 0, 1, 2, 3): Auto-Negotiation Advertisement, page 89.

9.6.6. PHY 4 Register 5 (Page 0, 1, 2, 3): Auto-Negotiation Link Partner Ability

This register has the same definition as PHY 0 Register 5 (Page 0, 1, 2, 3): Auto-Negotiation Link Partner Ability, page 90.

9.6.7. PHY 4 Register 22 (Page 0,1): Port 1 Control Register 0

This register has the same definition as PHY 0 Register 22 (Page 0, 1): Port 0 Control Register 0, page 93.

(Note: Reg 22.8 is pin DisPortPri[1] strap option for port 1. Default value for 22.8 is 1.)

9.6.8. PHY 4 Register 24 (Page 0, 1): Port 4 Control Register 1

Table 45. PHY 4 Register 24 (Page 0, 1): Port 4 Control Register 1

| Reg.bit | Name | Mode | Description | Default |
|------------|---|------|---|--|
| 24.[15:12] | Reserved | - | - | 0100 |
| 24.11 | Port 4 Transmission Enable | RW | 1: Enable packet transmission on port 3 0: Disable packet transmission on port 3 | 1 |
| 24.10 | Port 4 Reception Enable | RW | 1: Enable packet reception on port 3 0: Disable packet reception on port 3 | 1 |
| 24.9 | Port 4 Learning Enable | RW | 1: Enable switch address learning capability 0: Disable switch address learning capability | 1 |
| 24.8 | Port 4 Loop Status | RO | 1: A loop has been detected on port 3 0: No loop exists on port 3 | 0 |
| 24.7 | Port 4 auto crossover Enable (EnAutoMDIX) | RW | 1: Enable auto crossover detection of port 4 0: Disable auto crossover detection of port 4 | Pin 69 strapping option Default = 1 |
| 24.6 | Port 4 MDI or MDIX Select (SELMDI) | RW | 1: Medium interface of port 4 is MDI when auto crossover detection is disabled 0: Medium interface of port 4 is MDIX when auto crossover detection is disabled | 1 |
| 24.[5:0] | Reserved | - | - | 01 1111 |

勝特力材料 886-3-5753170
 勝特力电子(上海) 86-21-54151736
 勝特力电子(深圳) 86-755-83298787
[Http://www.100y.com.tw](http://www.100y.com.tw)

9.7. PHY 5 Registers

9.7.1. PHY 5 Register 0 (Page 0, 1, 2, 3): Control

Table 46. PHY 5 Register 0 (Page 0, 1, 2, 3): Control

| Reg.bit | Name | Mode | Description | Default |
|---------|--------------------------------|------|---|--|
| 0.15 | Reset | RO | 0: No reset allowed (permanently =0) | 0 |
| 0.14 | Loopback (digital loopback) | RO | 0: Normal operation (permanently =0) | 0 |
| 0.13 | Speed Select | RW | 1: 100Mbps 0: 10Mbps When NWay is enabled, this bit reflects the result of auto-negotiation (Read only). When NWay is disabled, this bit can be set through SMI (Read/Write). | Pin 47 P4SPDSTA strap option default 1 |
| 0.12 | Auto Negotiation Enable | RW | 1: Enable auto-negotiation process 0: Disable auto-negotiation process This bit can be set through SMI (Read/Write). | Pin 103 P4ANEG strap option |
| 0.11 | Power Down | RO | 0: Normal operation (permanently =0) | 0 |
| 0.10 | Isolate | RO | 0: Normal operation (permanently =0) | 0 |
| 0.9 | Restart Auto Negotiation | RO | 0: Normal operation (permanently =0) | 0 |
| 0.8 | Duplex Mode | RW | 1: Full duplex operation 0: Half duplex operation When NWay is enabled, this bit reflects the result of auto-negotiation (Read only). When NWay is disabled, this bit may be set through SMI (Read/Write). | Pin 48 P4DUPSTA strap option, default 1 |
| 0.[7:0] | Reserved | - | - | 0000 0000 |

勝特力材料 886-3-5753170
 勝特力电子(上海) 86-21-54151736
 勝特力电子(深圳) 86-755-83298787
[Http://www.100y.com.tw](http://www.100y.com.tw)

9.7.2. PHY 5 Register 1 (Page 0, 1, 2, 3): Status

Table 47. PHY 5 Register 1 (Page 0, 1, 2, 3): Status

| Reg.bit | Name | Mode | Description | Default |
|----------|--------------------------|------|--|--|
| 1.15 | 100Base_T4 | RO | 0: No 100Base-T4 capability | 0 |
| 1.14 | 100Base_TX_FD | RO | 1: 100Base-TX full duplex capable (permanently =1) | 1 |
| 1.13 | 100Base_TX_HD | RO | 1: 100Base-TX half duplex capable (permanently =1) | 1 |
| 1.12 | 10Base_T_FD | RO | 1: 10Base-TX full duplex capable (permanently =1) | 1 |
| 1.11 | 10Base_T_HD | RO | 1: 10Base-TX half duplex capable (permanently =1) | 1 |
| 1.[10:7] | Reserved | RO | | 0000 |
| 1.6 | MF Preamble Suppression | RO | The RTL8306SD/RTL8306SDM will accept management frames with preamble suppressed (permanently =1). | 1 |
| 1.5 | Auto-negotiate Complete | RO | 1: Auto-negotiation process completed. MII Reg.4, 5 are valid if this bit is set (permanently =1) | 1 |
| 1.4 | Remote Fault | RO | 0: No remote fault (permanently =0) | 0 |
| 1.3 | Auto-Negotiation Ability | RO | 1: NWay auto-negotiation capable (permanently =1) | 1 |
| 1.2 | Link Status | RO | 1: Link is established 0: Link is failed This bit reflects the status of pin P4LNKSTA# in real time. | Pin 49 P4LNKSTA# strap option default 0 |
| 1.1 | Jabber Detect | RO | 0: No Jabber detected (permanently =0) | 0 |
| 1.0 | Extended Capability | RO | 1: Extended register capable (permanently =1) | 1 |

9.7.3. PHY 5 Register 2 (Page 0, 1, 2, 3): PHY Identifier 1

Table 48. PHY 5 Register 2 (Page 0, 1, 2, 3): PHY Identifier 1

| Reg.bit | Name | Mode | Description | Default |
|----------|------|------|---|---------|
| 2.[15:0] | OUI | RO | Composed of the 3rd to 18th bits of the Organizationally Unique Identifier (OUI), respectively. | 0x001C |

9.7.4. PHY 5 Register 3 (Page 0, 1, 2, 3): PHY Identifier 2

Table 49. PHY 5 Register 3 (Page 0, 1, 2, 3): PHY Identifier 2

| Reg.bit | Name | Mode | Description | Default |
|-----------|-----------------|------|--|---------|
| 3.[15:10] | OUI | RO | Assigned to the 19th through 24th bits of the OUI. | 1100 10 |
| 3.[9:4] | Model Number | RO | Manufacturer's model number 05. | 00 0101 |
| 3.[3:0] | Revision Number | RO | Manufacturer's revision number 02. | 0010 |

勝特力材料 886-3-5753170
 勝特力电子(上海) 86-21-54151736
 勝特力电子(深圳) 86-755-83298787
[Http://www.100y.com.tw](http://www.100y.com.tw)

9.7.5. PHY 5 Register 4 (Page 0, 1, 2, 3): Auto-Negotiation Advertisement

Table 50. PHY 5 Register 4 (Page 0, 1, 2, 3): Auto-Negotiation Advertisement

| Reg.bit | Name | Mode | Description | Default |
|-----------|----------------|------|---|--|
| 4.15 | Next Page | RO | 1: Next Page enabled 0: Next Page disabled (Permanently =0) | 0 |
| 4.14 | Acknowledge | RO | Permanently =0. | 0 |
| 4.13 | Remote Fault | RO | 1: Advertises that the RTL8306SD/RTL8306SDM has detected a remote fault 0: No remote fault detected | 0 |
| 4.[12:11] | Reserved | RO | - | 00 |
| 4.10 | Pause | RW | 1: Advertises that the RTL8306SD/RTL8306SDM possesses 802.3x flow control capability 0: No flow control capability | Pin 46 P4FLCTRL strap option, default 1 |
| 4.9 | 100Base-T4 | RO | Not supported (Permanently =0). | 0 |
| 4.8 | 100Base-TX-FD | RW | 1: 100Base-TX full duplex capable 0: Not 100Base-TX full duplex capable | Pin 48 P4DUPSTA and pin 47 P4SPDSTA strap option |
| 4.7 | 100Base-TX | RW | 1: 100Base-TX half duplex capable 0: Not 100Base-TX half duplex capable | Pin 47 P4SPDSTA strap option |
| 4.6 | 10Base-T-FD | RW | 1: 10Base-TX full duplex capable 0: Not 10Base-TX full duplex capable | Pin 48 P4DUPSTA or pin 47 P4SPDSTA strap option |
| 4.5 | 10Base-T | RW | 1: 10Base-TX half duplex capable 0: Not 10Base-TX half duplex capable | 1 |
| 4.[4:0] | Selector Field | RO | [00001]=IEEE 802.3 | 0 0001 |

勝特力材料 886-3-5753170
 勝特力电子(上海) 86-21-54151736
 勝特力电子(深圳) 86-755-83298787
[Http://www.100y.com.tw](http://www.100y.com.tw)

9.7.6. PHY 5 Register 5 (Page 0, 1, 2, 3): Auto-Negotiation Link Partner Ability

Table 51. PHY 5 Register 5 (Page 0, 1, 2, 3): Auto-Negotiation Link Partner Ability

| Reg.bit | Name | Mode | Description | Default |
|-----------|----------------|------|--|---------------|
| 5.15 | Next Page | RO | 1: Link partner desires Next Page transfer 0: Link partner does not desire Next Page transfer | 0 |
| 5.14 | Acknowledge | RO | 1: Link Partner acknowledges reception of Fast Link Pulse (FLP) words 0: Not acknowledged by Link Partner | 0 |
| 5.13 | Remote Fault | RO | 1: Remote fault indicated by Link Partner 0: No remote fault indicated by Link Partner | 0 |
| 5.[12:11] | Reserved | RO | - | 00 |
| 5.10 | Pause | RO | 1: Flow control supported by Link Partner 0: Flow control not supported by Link Partner | Same as Reg 4 |
| 5.9 | 100Base-T4 | RO | 1: 100Base-T4 supported by Link Partner 0: 100Base-T4 not supported by Link Partner | 0 |
| 5.8 | 100Base-TX-FD | RO | 1: 100Base-TX full duplex supported by Link Partner 0: 100Base-TX full duplex not supported by Link Partner When auto negotiation is disabled, this bit will be set if Reg0.13=1 and Reg0.8=1 after link is established | Same as Reg 4 |
| 5.7 | 100Base-TX | RO | 1: 100Base-TX half duplex supported by Link Partner 0: 100Base-TX half duplex not supported by Link Partner When auto negotiation is disabled, this bit will be set if Reg0.13=1 and Reg0.8=0 after link is established. | Same as Reg 4 |
| 5.6 | 10Base-T-FD | RO | 1: 10Base-TX full duplex supported by Link Partner 0: 10Base-TX full duplex not supported by Link Partner When auto negotiation is disabled, this bit will be set if Reg0.13=0 and Reg0.8=1 after link is established. | Same as Reg 4 |
| 5.5 | 10Base-T | RO | 1: 10Base-TX half duplex supported by Link Partner 0: 10Base-TX half duplex not supported by Link Partner When auto negotiation is disabled, this bit will be set if Reg0.13=0 and Reg0.8=0 after link is established. | 1 |
| 5.[4:0] | Selector Field | RO | [00001]=IEEE 802.3 | 00001 |

勝特力材料 886-3-5753170
勝特力电子(上海) 86-21-54151736
勝特力电子(深圳) 86-755-83298787
[Http://www.100y.com.tw](http://www.100y.com.tw)

9.8. PHY 6 Registers

9.8.1. PHY 6 Register 0 (Page 0, 1, 2, 3): Control

Table 52. PHY 6 Register 0 (Page 0, 1, 2, 3): Control

| Reg.bit | Name | Mode | Description | Default |
|---------|--------------------------------|------|---|-----------|
| 0.15 | Reset | RO | 0: No reset allowed (permanently =0) | 0 |
| 0.14 | Loopback (digital loopback) | RO | 0: Normal operation (permanently =0) | 0 |
| 0.13 | Speed Select | RW | 1: 100Mbps 0: 10Mbps When NWay is enabled, this bit reflects the result of auto-negotiation (Read only). When NWay is disabled, this bit can be set through SMI (Read/Write). | 1 |
| 0.12 | Auto Negotiation Enable | RW | 1: Enable auto-negotiation process 0: Disable auto-negotiation process This bit can be set through SMI (Read/Write). | 0 |
| 0.11 | Power Down | RO | 0: Normal operation (permanently =0) | 0 |
| 0.10 | Isolate | RO | 0: Normal operation (permanently =0) | 0 |
| 0.9 | Restart Auto Negotiation | RO | 0: Normal operation (permanently =0) | 0 |
| 0.8 | Duplex Mode | RW | 1: Full duplex operation 0: Half duplex operation When NWay is enabled, this bit reflects the result of auto-negotiation (Read only). When NWay is disabled, this bit may be set through SMI (Read/Write). | 1 |
| 0.[7:0] | Reserved | - | - | 0000 0000 |

勝特力材料 886-3-5753170
 勝特力电子(上海) 86-21-54151736
 勝特力电子(深圳) 86-755-83298787
[Http://www.100y.com.tw](http://www.100y.com.tw)

9.8.2. PHY 6 Register 1 (Page 0, 1, 2, 3): Status

Table 53. PHY 6 Register 1 (Page 0, 1, 2, 3): Status

| Reg.bit | Name | Mode | Description | Default |
|----------|--------------------------|------|---|---------|
| 1.15 | 100Base_T4 | RO | 0: No 100Base-T4 capability | 0 |
| 1.14 | 100Base_TX_FD | RO | 1: 100Base-TX full duplex capable (permanently =1) | 1 |
| 1.13 | 100Base_TX_HD | RO | 1: 100Base-TX half duplex capable (permanently =1) | 1 |
| 1.12 | 10Base_T_FD | RO | 1: 10Base-TX full duplex capable (permanently =1) | 1 |
| 1.11 | 10Base_T_HD | RO | 1: 10Base-TX half duplex capable (permanently =1) | 1 |
| 1.[10:7] | Reserved | RO | - | 0000 |
| 1.6 | MF Preamble Suppression | RO | The RTL8306SD/RTL8306SDM will accept management frames with preamble suppressed (permanently =1). | 1 |
| 1.5 | Auto-negotiate Complete | RO | 1: Auto-negotiation process completed. MII Reg.4, 5 are valid if this bit is set (permanently =1) | 1 |
| 1.4 | Remote Fault | RO | 0: No remote fault (permanently =0) | 0 |
| 1.3 | Auto-Negotiation Ability | RO | 1: NWay auto-negotiation capable (permanently =1) | 1 |
| 1.2 | Link Status | RO | 1: Link is established 0: Link failed | 0 |
| 1.1 | Jabber Detect | RO | 0: No Jabber detected (permanently =0) | 0 |
| 1.0 | Extended Capability | RO | 1: Extended register capable (permanently =1) | 1 |

9.8.3. PHY 6 Register 2 (Page 0, 1, 2, 3): PHY Identifier 1

Table 54. PHY 6 Register 2 (Page 0, 1, 2, 3): PHY Identifier 1

| Reg.bit | Name | Mode | Description | Default |
|----------|------|------|---|---------|
| 2.[15:0] | OUI | RO | Composed of the 3rd to 18th bits of the Organizationally Unique Identifier (OUI), respectively. | 0x001C |

9.8.4. PHY 6 Register 3 (Page 0, 1, 2, 3): PHY Identifier 2

Table 55. PHY 6 Register 3 (Page 0, 1, 2, 3): PHY Identifier 2

| Reg.bit | Name | Mode | Description | Default |
|-----------|-----------------|------|--|---------|
| 3.[15:10] | OUI | RO | Assigned to the 19th through 24th bits of the OUI. | 1100 10 |
| 3.[9:4] | Model Number | RO | Manufacturer's model number 05. | 00 0101 |
| 3.[3:0] | Revision Number | RO | Manufacturer's revision number 02. | 0010 |

勝特力材料 886-3-5753170
勝特力电子(上海) 86-21-54151736
勝特力电子(深圳) 86-755-83298787
[Http://www.100y.com.tw](http://www.100y.com.tw)

9.8.5. PHY 6 Register 4 (Page 0, 1, 2, 3): Auto-Negotiation Advertisement

Table 56. PHY 6 Register 4 (Page 0, 1, 2, 3): Auto-Negotiation Advertisement

| Reg.bit | Name | Mode | Description | Default |
|-----------|----------------|------|---|---------|
| 4.15 | Next Page | RO | 1: Next Page enabled 0: Next Page disabled (Permanently =0) | 0 |
| 4.14 | Acknowledge | RO | Permanently =0. | 0 |
| 4.13 | Remote Fault | RO | 1: Advertises that the RTL8306SD/RTL8306SDM has detected a remote fault 0: No remote fault detected | 0 |
| 4.[12:11] | Reserved | RO | - | 00 |
| 4.10 | Pause | RW | 1: Advertises that the RTL8306SD/RTL8306SDM possesses 802.3x flow control capability 0: No flow control capability | 1 |
| 4.9 | 100Base-T4 | RO | Not supported (Permanently =0). | 0 |
| 4.8 | 100Base-TX-FD | RW | 1: 100Base-TX full duplex capable 0: Not 100Base-TX full duplex capable | 1 |
| 4.7 | 100Base-TX | RW | 1: 100Base-TX half duplex capable 0: Not 100Base-TX half duplex capable | 1 |
| 4.6 | 10Base-T-FD | RW | 1: 10Base-TX full duplex capable 0: Not 10Base-TX full duplex capable | 1 |
| 4.5 | 10Base-T | RW | 1: 10Base-TX half duplex capable 0: Not 10Base-TX half duplex capable | 1 |
| 4.[4:0] | Selector Field | RO | [00001]=IEEE 802.3. | 0 0001 |

勝特力材料 886-3-5753170
 勝特力电子(上海) 86-21-54151736
 勝特力电子(深圳) 86-755-83298787
[Http://www.100y.com.tw](http://www.100y.com.tw)

9.8.6. PHY 6 Register 5 (Page 0, 1, 2, 3): Auto-Negotiation Link Partner Ability

Table 57. PHY 6 Register 5 (Page 0, 1, 2, 3): Auto-Negotiation Link Partner Ability

| Reg.bit | Name | Mode | Description | Default |
|-----------|----------------|------|--|---------|
| 5.15 | Next Page | RO | 1: Link partner desires Next Page transfer 0: Link partner does not desire Next Page transfer | 0 |
| 5.14 | Acknowledge | RO | 1: Link Partner acknowledges reception of Fast Link Pulse (FLP) words 0: Not acknowledged by Link Partner | 0 |
| 5.13 | Remote Fault | RO | 1: Remote Fault indicated by Link Partner 0: No remote fault indicated by Link Partner | 0 |
| 5.[12:11] | Reserved | RO | - | 00 |
| 5.10 | Pause | RO | 1: Flow control supported by Link Partner 0: Flow control not supported by Link Partner | 1 |
| 5.9 | 100Base-T4 | RO | 1: 100Base-T4 supported by Link Partner 0: 100Base-T4 not supported by Link Partner | 0 |
| 5.8 | 100Base-TX-FD | RO | 1: 100Base-TX full duplex supported by Link Partner 0: 100Base-TX full duplex not supported by Link Partner When auto negotiation is disabled, this bit will be set if Reg0.13=1 and Reg0.8=1 after link is established. | 1 |
| 5.7 | 100Base-TX | RO | 1: 100Base-TX half duplex supported by Link Partner 0: 100Base-TX half duplex not supported by Link Partner When auto negotiation is disabled, this bit will be set if Reg0.13=1 and Reg0.8=0 after link is established. | 1 |
| 5.6 | 10Base-T-FD | RO | 1: 10Base-TX full duplex supported by Link Partner 0: 10Base-TX full duplex not supported by Link Partner When auto negotiation is disabled, this bit will be set if Reg0.13=0 and Reg0.8=1 after link is established. | 1 |
| 5.5 | 10Base-T | RO | 1: 10Base-TX half duplex supported by Link Partner 0: 10Base-TX half duplex not supported by Link Partner When auto negotiation is disabled, this bit will be set if Reg0.13=0 and Reg0.8=0 after link is established. | 1 |
| 5.[4:0] | Selector Field | RO | [00001]=IEEE 802.3 | 00001 |

9.8.7. PHY 6 Register 22 (Page 0, 1): Port 5 Control Register 0

Table 58. PHY 6 Register 22 (Page 0, 1): Port 5 Control Register 0

| Reg.bit | Name | Mode | Description | Default |
|---------|-----------------------|------|--|---------|
| 22.15 | Port5 link status | RW | 1: Port 5 link up and Reg 1.2=1 0: Port 5 link down and Reg 1.2=0 Whenever this bit changes, the PHY6 Reg1.2 will change simultaneously. | 0 |
| 22.14 | Reserved | - | - | 0 |
| 22.13 | Port 5 Local loopback | RW | 1: Perform 'local loopback', i.e. loop MAC's RX back to TX 0: Normal operation | 0 |



| Reg.bit | Name | Mode | Description | Default |
|----------|---|------|---|---------|
| 22.12 | Port 5 Null VID replacement | RW | 1: The switch will replace a NULL VID with a port VID (12-bits) 0: No replacement for a NULL VID | 0 |
| 22.11 | Port 5 Non PVID packets Discard | RW | 1: If the received packets are tagged, the switch will discard packets whose VID does not match ingress port default VID, which is indexed by port 5's 'Port based VLAN index' 0: No packets will be dropped | 0 |
| 22.10 | Port 5 802.1p priority Disable | RW | 1: Disable 802.1p priority classification for ingress packets on port 5 0: Enable 802.1p priority classification | 1 |
| 22.9 | Port 5 Diffserv priority Disable | RW | 1: Disable Diffserv priority classification for ingress packets on port 5 0: Enable Diffserv priority classification | 1 |
| 22.8 | Port 5 port-based priority Disable | RW | 1: Disable port-based priority QoS function on port 5 0: Enable port-based priority QoS function on port 5. Ingress packets on port 5 will be classified as high priority | 1 |
| 22.7 | Reserved | RO | Permanently 0. | 0 |
| 22.6 | Port 5 auto negotiation Enable | RW | 1: Enable port 5 auto negotiation 0: Disable port 5 auto negotiation, the speed and duplex are decided by bit 5 and 4 of this register Whenever this bit changes, the PHY6 Reg0.12 will change simultaneously. | 0 |
| 22.[5:4] | Port 5 Speed and Duplex ability | RW | 11: MII Reg0.8=1, 0.13=1, 4.8=1, 4.7=0, 4.6=0, 4.5=0 10: MII Reg0.8=0, 0.13=1, 4.8=0, 4.7=1, 4.6=0, 4.5=0 01: MII Reg0.8=1, 0.13=0, 4.8=0, 4.7=0, 4.6=1, 4.5=0 00: MII Reg0.8=0, 0.13=0, 4.8=0, 4.7=0, 4.6=0, 4.5=1 Whenever bits 22.[5:4] change, the corresponding bits will change simultaneously. | 11 |
| 22.3 | Port 5 802.3x flow control ability Enable | RW | 1: Enable port 5 full duplex flow control ability 0: Disable port 5 full duplex flow control ability Whenever its status changes, PHY 6 Reg 4.10 will change simultaneously | 1 |
| 22.2 | Port 5 Backpressure Enable | RW | 1: Enable port 5 half duplex backpressure 0: Disable port 5 half duplex backpressure | 1 |
| 22.[1:0] | Port 5 VLAN tag insertion and removal | RW | 11: Do not insert or remove VLAN tags to/from packets that are output on this port 10: The switch will add VLAN tags to packets if they are not tagged when these packets are output on this port. The switch will not add tags to packets already tagged. The inserted tag is the ingress port's 'Default tag', which is indexed by port 5's 'Port based VLAN index' 01: The switch will remove VLAN tags from packets, if they are tagged when these packets are output on port 5. The switch will not modify packets received without tags. 00: The switch will remove VLAN tags from packets then add new tags to them. The inserted tag is the ingress port's "Default tag", which is indexed by port 5's 'Port based VLAN index'. This is a replacement processing for tagged packets and an insertion for untagged packets. | 11 |

勝特力材料 886-3-5753170
 勝特力电子(上海) 86-21-54151736
 勝特力电子(深圳) 86-755-83298787
[Http://www.100y.com.tw](http://www.100y.com.tw)

9.8.8. PHY 6 Register 24 (Page 0, 1): Port 5 Control Register 1

Table 59. PHY 6 Register 24 (Page 0, 1): Port 5 Control Register 1

| Reg.bit | Name | Mode | Description | Default |
|----------|---|------|---|----------|
| 24.15 | Reserved | - | - | 1 |
| 24.14 | Disable IEEE 802.3x transmit flow control of port 5 MAC | RW | Only takes effect when PHY6 Reg.24.12=1. 1: Disable IEEE 802.3x transmit flow control ability of port 5 MAC 0: Enable IEEE 802.3x transmit flow control ability of port 5 MAC | 0 |
| 24.13 | Disable IEEE 802.3x receive flow control of port 5 MAC | RW | Only takes effect when PHY6 Reg.24.12=1. 1: Disable IEEE 802.3x receive flow control ability of port 5 MAC 0: Enable IEEE 802.3x receive flow control ability of port 5 MAC | 0 |
| 24.12 | Force asymmetric flow control of port 5 MAC | RW | 0: No asymmetric flow control is provided. Use PHY6 Reg.4.10 to provide symmetric flow control both for pause reception and transmission 1: Enable asymmetric flow control of port 4 MAC. Use PHY6 Reg.24.13 for providing IEEE 802.3x receive flow control and use PHY6 Reg.24.14 for providing IEEE 802.3x transmit flow control | 0 |
| 24.11 | Port 5 Transmission Enable | RW | 1: Enable packet transmission on port 5 0: Disable packet transmission on port 5 | 1 |
| 24.10 | Port 5 Reception Enable | RW | 1: Enable packet reception on port 5 0: Disable packet reception on port 5 | 1 |
| 24.9 | Port 5 Learning Enable | RW | 1: Enable switch address learning capability 0: Disable switch address learning capability | 1 |
| 24.8 | Port 5 Loop Status | RO | 1: A loop has been detected on port 5 0: No loop exists on port 5 | 0 |
| 24.[7:0] | Reserved | - | - | 11111111 |

勝特力材料 886-3-5753170
 勝特力电子(上海) 86-21-54151736
 勝特力电子(深圳) 86-755-83298787
[Http://www.100y.com.tw](http://www.100y.com.tw)

10. Characteristics

10.1. Electrical Characteristics/Maximum Ratings

WARNING: Maximum ratings are limits beyond which permanent damage may be caused to the device or which may affect device reliability. All voltages are specified reference to GND unless otherwise specified.

Table 60. Electrical Characteristics/Maximum Ratings

| Parameter | Min | Max | Units |
|------------------------------|------|------|-------|
| Vcc Supply Referenced to GND | -0.5 | +4.0 | V |
| Digital Input Voltage | -0.5 | VDD | V |
| DC Output Voltage | -0.5 | VDD | V |

10.2. Operating Range

Table 61. Operating Range

| Parameter | Min | Max | Units |
|--|------|------|-------|
| Storage Temperature | -55 | +150 | °C |
| Ambient Operating Temperature (Ta) | 0 | +70 | °C |
| 3.3V Vcc Supply Voltage Range (HVDD33, DVDD33) | 3.15 | 3.45 | V |
| 1.8V Vcc Supply Voltage Range (DVDD18, AVDD18) | 1.71 | 1.95 | V |

勝特力材料 886-3-5753170
 勝特力电子(上海) 86-21-54151736
 勝特力电子(深圳) 86-755-83298787
[Http://www.100y.com.tw](http://www.100y.com.tw)

10.3. DC Characteristics

Table 62. DC Characteristics

| Parameter | SYM | Condition | Min | Typical | Max | Units |
|---------------------------------------|-----------------|--|------|---------|------|-------|
| Power Supply Current for 1.8V | I _{cc} | 10Base-T, idle | 40 | 45 | 50 | mA |
| | | 10Base-T, Peak continuous 100% utilization | 575 | 600 | 625 | |
| | | 100Base-TX, idle | 375 | 390 | 405 | |
| | | 100Base-TX, Peak continuous 100% utilization | 375 | 390 | 405 | |
| | | Power down | 40 | 45 | 50 | |
| Power Supply Current for 3.3V | I _{cc} | 10Base-T, idle | 110 | 120 | 130 | mA |
| | | 10Base-T, Peak continuous 100% utilization | 100 | 110 | 120 | |
| | | 100Base-TX, idle | 110 | 120 | 130 | |
| | | 100Base-TX, Peak continuous 100% utilization | 100 | 110 | 120 | |
| | | Power down | 60 | 65 | 70 | |
| Total Power Consumption for all Ports | PS | 10Base-T, idle | 435 | 477 | 519 | mW |
| | | 10Base-T, Peak continuous 100% utilization | 1365 | 1443 | 1521 | |
| | | 100Base-TX, idle | 1038 | 1098 | 1158 | |
| | | 100Base-TX, Peak continuous 100% utilization | 1005 | 1065 | 1125 | |
| | | Power down | 270 | 295.5 | 321 | |
| TTL Input High Voltage | V _{ih} | - | 2.0 | - | - | V |
| TTL Input Low Voltage | V _{il} | - | - | - | 0.8 | V |
| TTL Input Current | I _{in} | - | -10 | - | 10 | μA |
| TTL Input Capacitance | C _{in} | - | - | 3 | - | pF |
| Output High Voltage | V _{oh} | - | 2.25 | - | - | V |
| Output Low Voltage | V _{ol} | - | - | - | 0.4 | V |
| Output Three State Leakage Current | I _{OZ} | - | - | - | 10 | μA |

勝特力材料 886-3-5753170
勝特力电子(上海) 86-21-54151736
勝特力电子(深圳) 86-755-83298787
[Http://www.100y.com.tw](http://www.100y.com.tw)

10.4. AC Characteristics

Table 63. AC Characteristics

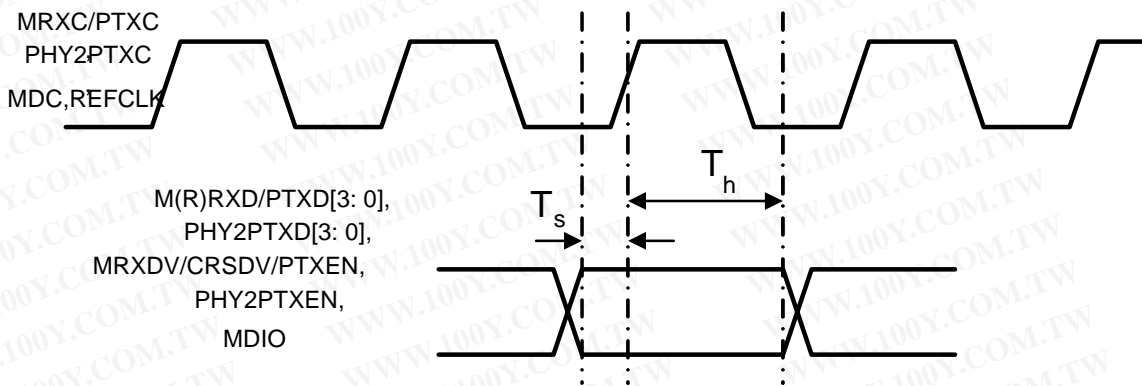
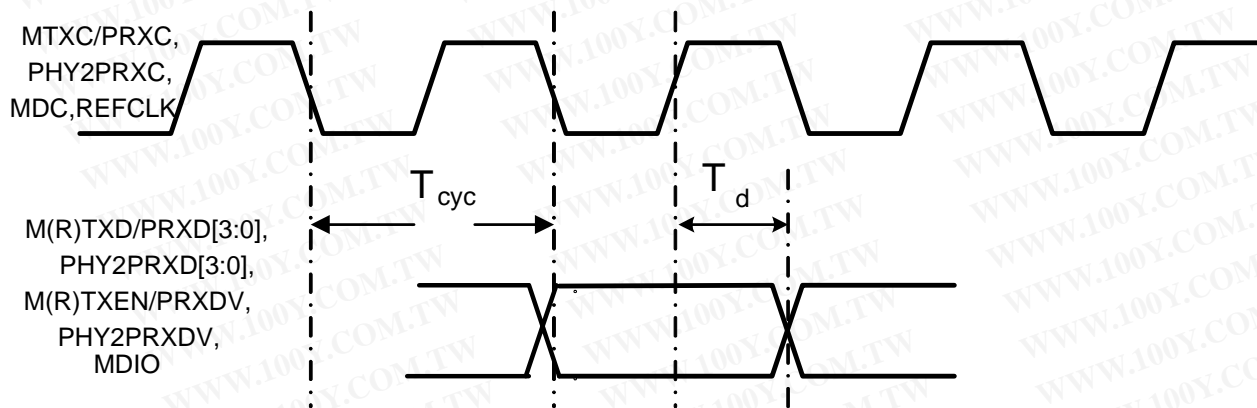
| Parameter | SYM | Condition | Min | Typical | Max | Units |
|--|---------------------------------|--|-----|---------|-----|-------|
| Transmitter, 100Base-TX | | | | | | |
| Differential Output Voltage, Peak-to-Peak | V _{OD} | 50Ω from each output to V _{cc} , Best-fit over 14 bit times | - | 1.007 | - | V |
| Differential Output Voltage Symmetry | V _{OS} | 50Ω from each output to V _{cc} , V _{p+} / V _{p-} | - | 99.1 | - | % |
| Differential Output Overshoot | V _{OO} | Percent of V _{p+} or V _{p-} | - | 3.1 | - | % |
| Rise/Fall Time | t _r , t _f | 10~90% of V _{p+} or V _{p-} | - | 4.1 | - | ns |
| Rise/Fall Time Imbalance | t _r - t _f | | - | 0.17 | - | ns |
| Duty Cycle Distortion | - | Deviation from best-fit time-grid, 010101 ... Sequence | - | 0.2 | - | ns |
| Timing Jitter | - | Idle pattern | - | 0.87 | - | ns |
| TD Differential Output Impedance (return loss) | - | Return loss margin from 2Hz to 80MHz for reference resistance of 100Ω. The margin is the minimum difference between the limit line and the return loss curve | 4.6 | - | - | dB |
| RD Differential Output Impedance (return loss) | - | Return loss margin from 2Hz to 80MHz for reference resistance of 100Ω. The margin is the minimum difference between the limit line and the return loss curve | 4.6 | - | - | dB |
| Transmitter, 10Base-T | | | | | | |
| Differential Output Voltage, Peak-to-Peak | V _{OD} | 50Ω from each output to V _{cc} , all pattern | - | 2.36 | - | V |
| TP_IDL Silence Duration | - | Period of time from start of TP_IDL to link pulses or period of time between link pulses | - | 10.48 | - | ms |
| TD Short Circuit Fault Tolerance | - | Peak output current on TD short circuit for 10 seconds. | - | 24 | - | mA |
| TD Common-Mode Output Voltage | E _{cm} | Terminate each end with 50Ω resistive load | - | 43.2 | - | mV |
| Transmitter Output Jitter | - | - | - | 6 | - | ns |
| Harmonic Content | - | dB below fundamental, 20 cycles of all ones data | - | 28 | - | dB |
| Start-of-idle Pulse Width | - | TP_IDL width | - | 256 | - | ns |

勝特力材料 886-3-5753170
 勝特力电子(上海) 86-21-54151736
 勝特力电子(深圳) 86-755-83298787
[Http://www.100y.com.tw](http://www.100y.com.tw)

10.5. Digital Timing Characteristics

Table 64. LED Timing

| Parameter | SYM | Condition | Min | Typical | Max | Units |
|-------------------|---------|--------------------|-----|---------|-----|-------|
| LED Timing | | | | | | |
| LED On Time | tLEDOn | While LED blinking | 43 | - | 120 | ms |
| LED Off Time | tLEDOff | While LED blinking | 43 | - | 120 | ms |


Figure 27. Reception Data Timing of MII/RMII/SMI Interface

Figure 28. Transmission Data Timing of MII/RMII/SMI Interface

勝特力材料 886-3-5753170
 勝特力电子(上海) 86-21-54151736
 勝特力电子(深圳) 86-755-83298787
[Http://www.100y.com.tw](http://www.100y.com.tw)

Table 65. MII & SMI DC Timing

| Parameter | SYM | Description | I/O | Min | Type | Max | Units |
|--|------------------|---|-----|------|------------------|------|-------|
| MAC Mode MII Timing | | | | | | | |
| 100BaseT MTXC/MRXC, MRXC/PTXC | T _{cyc} | MTXC/MRXC, MRXC/PTXC clock cycle time | I | - | 40 (±50 ppm) | - | ns |
| 10BaseT MTXC/MRXC, MRXC/PTXC | T _{cyc} | MTXC/MRXC, MRXC/PTXC clock cycle time | I | - | 400 (±50 ppm) | - | ns |
| MTXD[3:0]/PRXD[3:0], MTXEN/PRXDV Output delay | T _d | MTXD[3:0]/PRXD[3:0], MTXEN/PRXDV to MTXC/PRXC rising edge delay | O | 4 | 5.2 | 6 | ns |
| MRXD[3:0]/PTXD[3:0], MRXDV/PTXEN, Setup Time | T _s | MRXD[3:0]/PTXD[3:0], MRXDV/PTXEN to MRXC/PTXC rising edge setup time | I | 4 | - | - | ns |
| MRXD/PTXD, MRXDV/PTXEN, Hold Time | T _h | MRXD[3:0]/PTXD[3:0], MRXDV/PTXEN to MRXC/PTXC rising edge hold time | I | 2 | - | - | ns |
| PHY Mode MII Timing | | | | | | | |
| 100BaseT MTXC/MRXC, MRXC/PTXC, PHY2PTXC, PHY2PRXC | T _{cyc} | MTXC/MRXC, MRXC/PTXC, PHY2PTXC, PHY2PRXC clock cycle time | O | - | 40 (±50 ppm) | - | ns |
| 10BaseT MTXC/PRXC, MRXC/PTXC, PHY2PTXC, PHY2PRXC | T _{cyc} | MTXC/MRXC, MRXC/PTXC, PHY2PTXC, PHY2PRXC clock cycle time | O | - | 400 (±50 ppm) | - | ns |
| MTXD/PRXD[3:0], PHY2PRXD[3:0], MTXEN/PRXDV, PHY2PRXDV Output Delay | T _d | MTXD[3:0]/PRXD[3:0], PHY2PRXD[3:0], MTXEN/PRXDV, PHY2PRXDV to MTXC/PRXC rising edge delay | O | 20.5 | 22.5 | 23.5 | ns |
| MRXD/PTXD[3:0], PHY2PTXD[3:0], MRXDV/PTXEN, PHY2PTXEN Setup Time | T _s | MRXD[3:0]/PTXD[3:0], MRXDV/PTXEN to MRXC/PTXC rising edge setup time | I | 4 | - | - | Ns |
| MRXD/PTXD[3:0], PHY2PTXD[3:0], MRXDV/PTXEN, PHY2PTXEN Hold Time | T _h | MRXD[3:0]/PTXD[3:0], MRXDV/PTXEN to MRXC/PTXC rising edge hold time | I | 2 | - | - | Ns |

勝特力材料 886-3-5753170
勝特力电子(上海) 86-21-54151736
勝特力电子(深圳) 86-755-83298787
[Http://www.100y.com.tw](http://www.100y.com.tw)

| Parameter | SYM | Description | I/O | Min | Type | Max | Units |
|--|------------------|--|-----|-----|-----------------|-----|-------|
| RMII Timing | | | | | | | |
| REFCLK | T _{cyc} | REFCLK clock cycle time | O | - | 20 (±50 ppm) | - | ns |
| RTXD[1:0], RTXEN Output Delay | T _d | RTXD[1:0], TXEN to REFCLK rising edge delay | O | 7.6 | 8.7 | 9.6 | ns |
| RRXD[1:0], CRSDV Setup Time | T _s | RRXD[1:0], CRSDV to REFCLK rising edge setup time | I | 4 | - | - | ns |
| RRXD[1:0], CRSDV Hold Time | T _h | RRXD[1:0], CRSDV to REFCLK rising edge hold time | I | 2 | - | - | ns |
| SMI Timing | | | | | | | |
| MDC | T _{cyc} | MDC clock cycle | I | 40 | - | - | ns |
| MDIO Setup Time | T _s | Write cycle | I | 10 | - | - | ns |
| MDIO Hold Time | T _h | Write cycle | I | 10 | - | - | ns |
| MDIO Output Delay Relative to Rising Edge of MDC | T _d | Read cycle | O | - | - | 10 | μs |

勝特力材料 886-3-5753170
勝特力电子(上海) 86-21-54151736
勝特力电子(深圳) 86-755-83298787
[Http://www.100y.com.tw](http://www.100y.com.tw)

11. Application Information

11.1. UTP (10Base-T/100Base-TX) Application

Note that the center-tap on the primary side of the transformer must be connected to 1.8V and should be connected to ground via a 0.1uF capacitor.

Table 66. Transformer Vendors

| Vendor | Quad | Single |
|------------|-------|--------|
| Pulse | H1164 | H1102 |
| Magnetic 1 | ML164 | ML102 |

Two types of transformer are generally used for the RTL8306SD/RTL8306SDM. One is a Quad (4 port) transformer with one common pin on both sides for an internal connected central tap. The other is a Single (1 port) transformer with two pins on both sides for a separate central tap.

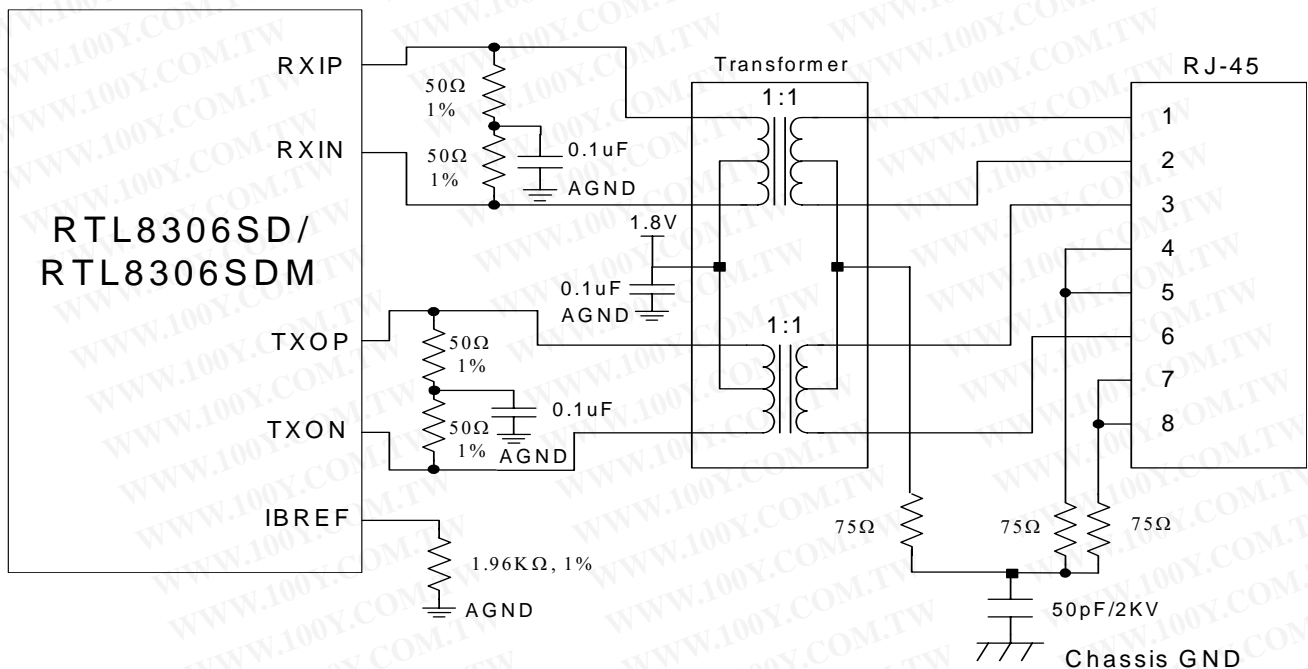


Figure 29. UTP Application for Transformer with Connected Central Tap

勝特力材料 886-3-5753170
 勝特力电子(上海) 86-21-54151736
 勝特力电子(深圳) 86-755-83298787
[Http://www.100y.com.tw](http://www.100y.com.tw)

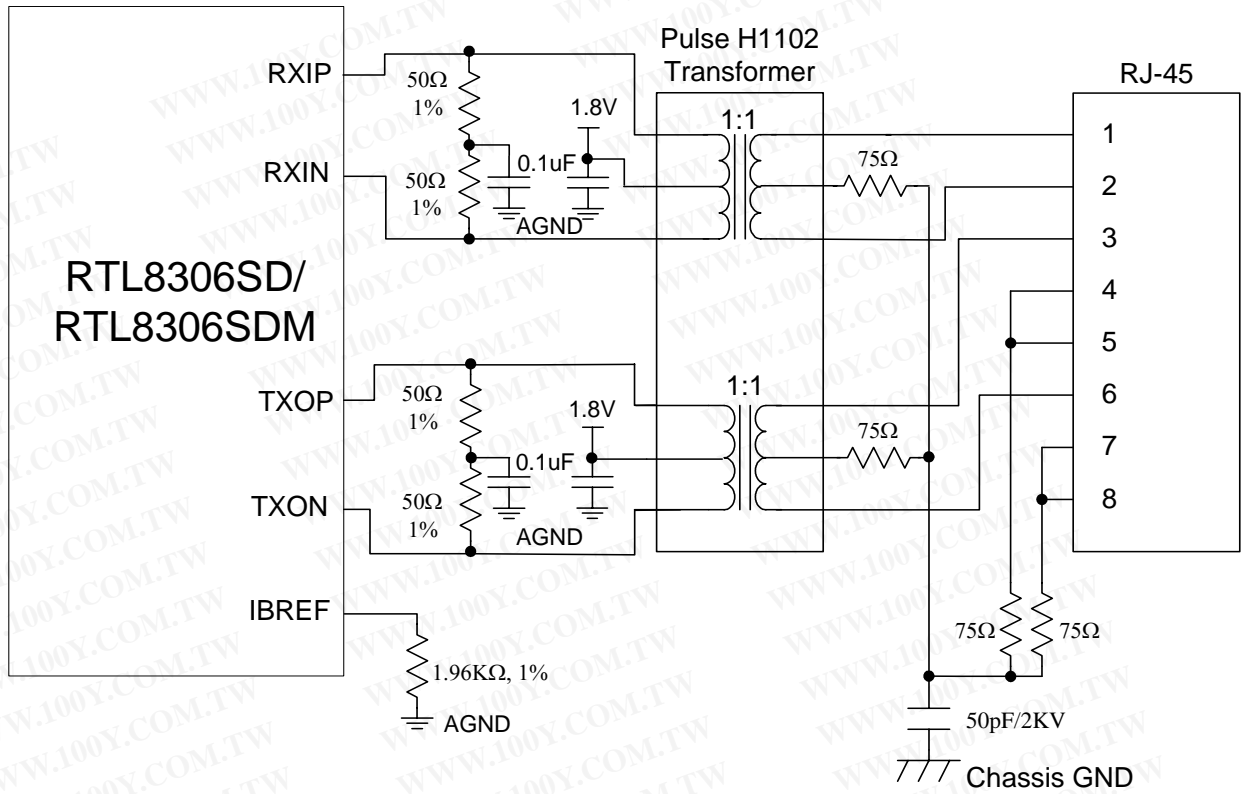


Figure 30. UTP Application for Transformer with Separate Central Tap

勝特力材料 886-3-5753170
 勝特力电子(上海) 86-21-54151736
 勝特力电子(深圳) 86-755-83298787
[Http://www.100y.com.tw](http://www.100y.com.tw)

12. Design and Layout

In order to achieve maximum performance using the RTL8306SD/RTL8306SDM, good design attention is required throughout the design and layout process. The following are some suggestions to implement a high-performance system.

General Guidelines

- Provide a good power source, minimizing noise from switching power supply circuits (<50mV).
- Verify the ability of critical components, e.g. clock source and transformer, to meet application requirements.
- Keep power and ground noise levels below 50mV.
- Use bulk capacitors (4.7 μ F~10 μ F) between the power and ground planes.
- Use 0.1 μ F de-coupling capacitors to reduce high-frequency noise on the power and ground planes.
- Keep de-coupling capacitors as close as possible to the RTL8306SD/RTL8306SDM chip.

Differential Signal Layout Guidelines

- Keep differential pairs as close as possible and route both traces as identically as possible.
- Avoid vias and layer changes if possible.
- Keep transmit and receive pairs away from each other.

Clock Circuit

- If possible, surround the clock by ground trace to minimize high-frequency emissions.
- Keep the crystal or oscillator as close to the RTL8306SD/RTL8306SDM as possible.

1.8V Power

- Do not connect a bead directly between the collector of the PNP transistor and AVDD18. This will significantly affect the stability of the 1.8V power supply.
- Use a bulk capacitor (4.7 μ F~10 μ F) between the collector of the PNP transistor and the ground plane.
- Do not use one PNP transistor for more than one RTL8306SD/RTL8306SDM chip, even if the rating is enough. Use one transistor for each RTL8306SD/RTL8306SDM chip.

Power Plane

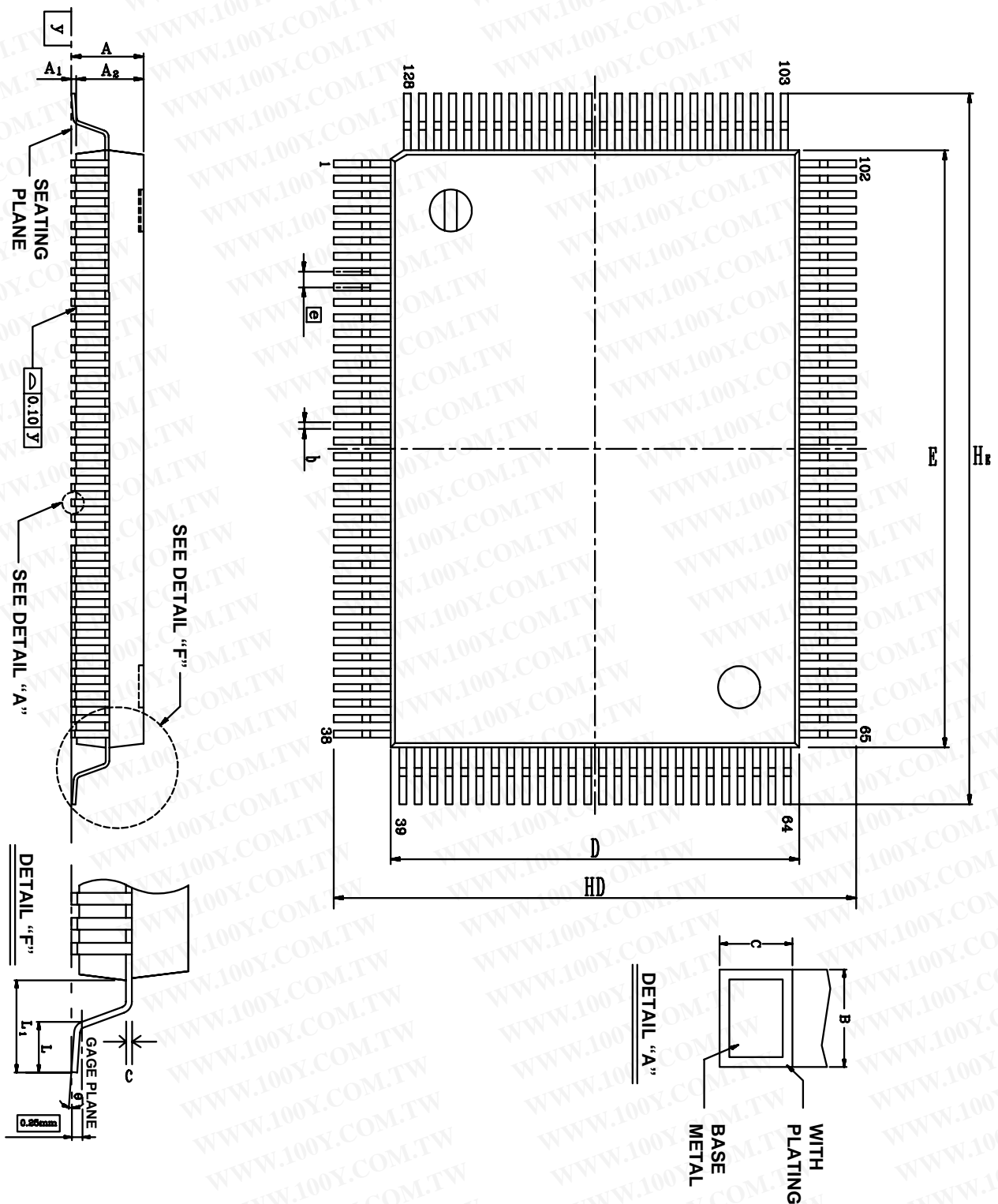
- Divide the power plane into 1.8V digital, 3.3V digital, and 1.8V analog.
- Use 0.1 μ F decoupling capacitors and bulk capacitors between each power plane and the ground plane.
- Power line connects from the source to the RTL8306SD/RTL8306SDM pin should be at least 10 mil wide.

Ground Plane

- Keep the system ground region as one continuous, unbroken plane that extends from the primary side of the transformer to the rest of the board.
- Place a moat (gap) between the system ground and chassis ground.
- Ensure the chassis ground area is voided at some point such that no ground loop exists on the chassis ground area.

勝特力材料 886-3-5753170
勝特力电子(上海) 86-21-54151736
勝特力电子(深圳) 86-755-83298787
[Http://www.100y.com.tw](http://www.100y.com.tw)

13. Mechanical Dimensions



See the Mechanical Dimensions notes on the next page.

13.1. Mechanical Dimensions Notes

| Symbol | Dimensions in inches | | | Dimensions in mm | | |
|--------|----------------------|---------|-------|------------------|---------|-------|
| | Min | Typical | Max | Min | Typical | Max |
| A | - | - | 0.134 | - | - | 3.40 |
| A1 | 0.004 | 0.010 | 0.036 | 0.10 | 0.25 | 0.91 |
| A2 | 0.102 | 0.112 | 0.122 | 2.60 | 2.85 | 3.10 |
| b | 0.005 | 0.009 | 0.013 | 0.12 | 0.22 | 0.32 |
| c | 0.002 | 0.006 | 0.010 | 0.05 | 0.15 | 0.25 |
| D | 0.541 | 0.551 | 0.561 | 13.75 | 14.00 | 14.25 |
| E | 0.778 | 0.787 | 0.797 | 19.75 | 20.00 | 20.25 |
| e | 0.010 | 0.020 | 0.030 | 0.25 | 0.5 | 0.75 |
| HD | 0.665 | 0.677 | 0.689 | 16.90 | 17.20 | 17.50 |
| HE | 0.902 | 0.913 | 0.925 | 22.90 | 23.20 | 23.50 |
| L | 0.027 | 0.035 | 0.043 | 0.68 | 0.88 | 1.08 |
| L1 | 0.053 | 0.063 | 0.073 | 1.35 | 1.60 | 1.85 |
| y | - | - | 0.004 | - | - | 0.10 |
| θ | 0° | - | 12° | 0° | - | 12° |

Notes:

1. Dimensions D & E do not include interlead flash.
2. Dimension b does not include dambar protrusion/intrusion.
3. Controlling dimension: Millimeter
4. General appearance spec. Should be based on final visual inspection.

| | | | |
|--|----------|------------------|--|
| TITLE: PQFP-128 -CU L/F, FOOTPRINT 3.2 mm | | | |
| LEADFRAME MATERIAL: | | | |
| APPROVE | DOC. NO. | | |
| | VERSION | 1.2 | |
| | PAGE | | |
| CHECK | DWG NO. | Q128 - 1 | |
| | DATE | 12 February 2003 | |
| REALTEK SEMICONDUCTOR CORP. | | | |

14. Ordering Information

Table 67. Ordering Information

| Part Number | Package | Status |
|------------------|---|------------|
| RTL8306SD-GR | 128-pin PQFP in 'Green' package (RoHS compliant) | Production |
| RTL8306SDM-GR | RTL8306SD-GR with ACL (Access Control List) Function | Production |
| RTL8306SD-VC-GR | 128-pin PQFP in 'Green' package (RoHS compliant) | Production |
| RTL8306SDM-VC-GR | RTL8306SD-VC-GR with ACL (Access Control List) Function | Production |
| RTL8306SD-VT-GR | 128-pin PQFP in 'Green' package (RoHS compliant) for Telecom Application. | Production |

See page 6 for package and version identification.

勝特力材料 886-3-5753170
 勝特力电子(上海) 86-21-54151736
 勝特力电子(深圳) 86-755-83298787
[Http://www.100y.com.tw](http://www.100y.com.tw)