

# Rotary Actuator/Vane Style

## Series CRB2

Size: 10, 15, 20, 30, 40

Basic style  
Series CRB2



With angle adjuster  
Series CRB2BWU



Standard		Fluid		Air																	
		Size		10				15				20,30				40					
Vane type		Single vane (S) Double vane (D)		S		D		S		D		S		D		S		D			
Port location		Side ported (Nil) Axial ported (E)		Side ported	Axial ported	Side ported	Axial ported	Side ported	Axial ported	Side ported	Axial ported	Side ported	Axial ported	Side ported	Axial ported	Side ported	Axial ported	Side ported	Axial ported		
Rotating angle	90°			●	●	●	●	●	●	●	●	●	●	●	●	●	●	●	●		
	100°				●	●			●	●			●	●			●	●			
	180°			●	●	●	●	●	●	●	●	●	●	●	●	●	●	●	●		
	270°			●	●	●	●	●	●	●	●	●	●	●	●	●	●	●	●		
Shaft type	Double shaft	<b>W</b>		●	●	●	●	●	●	●	●	●	●	●	●	●	●	●	●		
Cushion	Rubber bumper			●	●	●	●	●	●	●	●	●	●	●	●	●	●	●	●		
Variations	Basic type			●	●	●	●	●	●	●	●	●	●	●	●	●	●	●	●		
	With auto switch			●	●	●	●	●	●	●	●	●	●	●	●	●	●	●	●		
	With angle adjuster			●	●	●	●	●	●	●	●	●	●	●	●	●	●	●	●		
	With auto switch and angle adjuster			●	●	●	●	●	●	●	●	●	●	●	●	●	●	●	●		
	Copper-free and fluorine-free	<b>20-</b>		●	●	●	●	●	●	●	●	●	●	●	●	●	●	●	●		
Option	Mounting style	With flange	<b>F</b>		●	●	●	●	●	●	●	●	●	●	●	●	●	●	●	●	
Made to Order	Shaft type	Double shaft type	Long shaft without single flat & Short shaft with single flat	<b>J</b>		●	●	●	●	●	●	●	●	●	●	●	●	●	●	●	●
			Long shaft without keyway & Short shaft with single flat				●	●			●	●			●	●			●	●	
		Single shaft type	Same length double long shaft with single flat on both shafts	<b>Y</b>		●	●	●	●	●	●	●	●	●	●	●	●	●	●	●	●
			Double shaft key			●	●	●	●	●	●	●	●	●	●	●	●	●	●	●	●
	Pattern	Double round shaft	<b>K</b>		●	●	●	●	●	●	●	●	●	●	●	●	●	●	●	●	
		Single flat	<b>S</b>		●	●	●	●	●	●	●	●	●	●	●	●	●	●	●	●	
			Single shaft key			●	●	●	●	●	●	●	●	●	●	●	●	●	●	●	●
		Single round shaft	<b>T</b>		●	●	●	●	●	●	●	●	●	●	●	●	●	●	●	●	
Rotation pattern	Shaft pattern			●	●	●	●	●	●	●	●	●	●	●	●	●	●	●	●		
	Rotation pattern			●	●	●	●	●	●	●	●	●	●	●	●	●	●	●	●		

CRB2

CRBU2

CRB1

MSU

CRJ

CRA1

CRQ2

MSQ

MSZ

CRQ2X  
MSQX

MRQ

D-□

# Rotary Actua

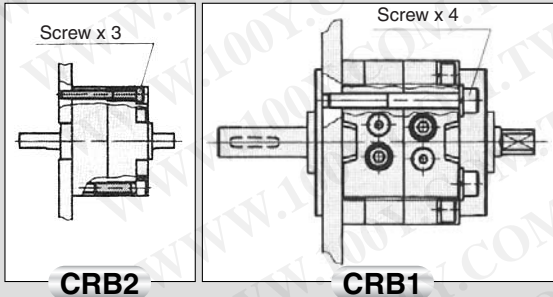
**Rotating angle: 90°, 180°, 270°**  
**All series can rotate up to 270°.**

The use of specially designed seals and stoppers now enables our compact vane type rotary actuators to rotate up to 270°. (Single vane type)

## Direct mounting

The body of rotary actuator can be mounted directly.

\* Not possible to use direct mount type with units sized 10 to 40.



## Unrestricted auto switch mounting position

Since the switches can be moved anywhere along the circumference of rotary actuator, they can be mounted at the optimum position according to the rotary actuator's specifications.



## Direct mounting from 3 different directions is possible (CRBU2).

Series CRBU2 can be mounted in 3 directions: axial, vertical, and lateral. In the axial direction, there are 4 mounting variations.

## Excellent reliability and durability

Bearings are used in all series to support thrust and radial loads. The use of a rubber bumper (except size 10) further improves reliability.

## Two different connecting port locations (side and axial) are available.

The port location can be selected according to the application. (Types with various units sized 10 to 40 are body side face only.)

## Low pressure operation

Special seal construction allows for a broader operating pressure range and makes operation in low pressure applications possible.

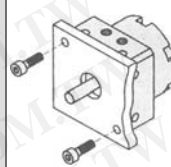
Min. operating pressure

Size 10: 0.2 MPa

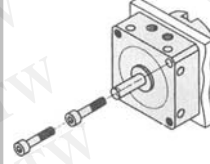
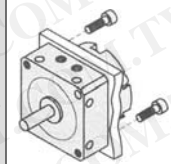
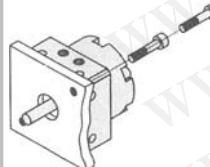
Size 15 to 100: 0.15 MPa

### Axial Mounting

Body tapped

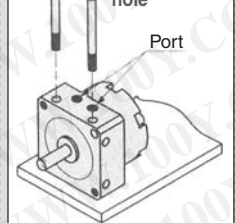


Body through-hole



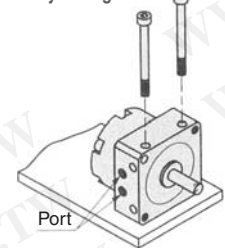
### Vertical Mounting

Body through-hole

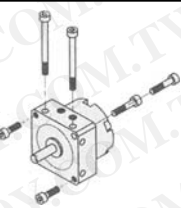


### Lateral Mounting

Body through-hole



Since it may not be necessary to use all the convenient mounting holes to mount the actuator from three directions at the same time, the remaining holes can be used for other purposes.



## Block (Unit) type construction

For all series' rotary actuator's single body, various units for body outside diameter integral type can be easily retrofit.

### Basic Type + Switch Unit



# tor Vane Style

勝特力材料 886-3-5753170  
 勝特力电子(上海) 86-21-34970699  
 勝特力电子(深圳) 86-755-83298787  
[Http://www.100y.com.tw](http://www.100y.com.tw)



**CRB2/Size:**  
10, 15, 20, 30, 40



Free mount type  
**CRBU2/Size:**  
10, 15, 20, 30, 40



**CRB1/Size:**  
50, 63, 80, 100

- CRB2
- CRBU2
- CRB1
- MSU
- CRJ
- CRA1
- CRQ2
- MSQ
- MSZ
- CRQ2X  
MSQX
- MRQ

Double vane construction is now a standard feature for 90° and 100° rotation type actuators.

Although the outside dimensions of the double vane construction actuators are equivalent to those of the single vane construction type (except for size 10). Double vane construction can get twice the torque of the single vane style.

Model		Model					
		90°	100°	180°	190°	270°	280°
CRB2	Single vane	●		●		●	
	Double vane		●				
CRBU2	Single vane	●		●		●	
	Double vane		●				
CRB1	Single vane	●	●	●	●	●	●
	Double vane		●				

Basic Type + Angle Adjuster

Basic Type + Angle Adjuster + Switch Unit



D-□

# Rotary Actuator Vane Style

# Series CRB2

Size: 10, 15, 20, 30, 40

勝特力材料 886-3-5753170  
勝特力电子(上海) 86-21-34970699  
勝特力电子(深圳) 86-755-83298787  
Http://www.100y.com.tw

## How to Order

**Without auto switch**  
CRB2 B W [ ] [ ] - 180 S E

**With auto switch Size: 10, 15**  
CDRB2 F W [ ] [ ] - 180 S - T99 L [ ] - [ ]

**With auto switch Size: 20, 30, 40**  
CDRB2 B W [ ] [ ] - 180 S - T79 L [ ] - [ ]

**Size**

10
15
20
30
40

**Connecting port location**

Nil	Side ported
E	Axial ported

**Mounting style**

B	Basic style
F	Flange style

\* F: Except size 40

**Shaft type**

W	Double shaft with single flat (Size 10 to 30)
	Long shaft key, Short shaft with single flat (Size 40)

**Rotating angle**

Single vane	90	90°
	180	180°
	270	270°
Double vane	90	90°
	100	100°

**Vane type**

S	Single vane
D	Double vane

**Pattern**

Nil	Standard
P	Simple Specials/Made to Order

**Auto switch**

Nil	Without auto switch (built-in magnet)
-----	---------------------------------------

**Made to Order**  
Refer to the table below for details.

**Number of auto switches**

S	1 pc. *
Nil	2 pcs. **

\* S (1 auto switch) is shipped with a right-hand auto switch.  
\*\* Nil (2 auto switches) is shipped with a right-hand and a left-hand switch.

**Electrical entry/Lead wire length**

Nil	Grommet/Lead wire 0.5 m
L	Grommet/Lead wire: 3 m
C	Connector/Lead wire 0.5 m
CL	Connector/Lead wire: 3 m
CN	Connector/Without lead wire

\* Connectors are available only for auto switch types R73, R80 and T79.  
\*\* Lead wire with connector part nos.  
D-LC05: Lead wire 0.5 m  
D-LC30: Lead wire 3 m  
D-LC50: Lead wire 5 m

\* For details, refer to pages 69 to 80.

\* For the applicable auto switch model, refer to the table below.

## Applicable Auto Switches/Refer to pages 761 to 809 for further information on auto switches.

Applicable size	Type	Electrical entry	Indicator light	Wiring (Output)	Load voltage		Auto switch model	Lead wire type	Lead wire length (m) *				Applicable load						
					DC	AC			0.5 (Nil)	3 (L)	5 (Z)	None (N)							
For 10 and 15	Solid state switch	Grommet	Yes	2-wire	12V	—	T99	Heavy-duty cord	●	●	—	—	IC circuit	Relay, PLC					
							T99V		●	●	—	—							
							S99		●	●	—	—							
							S99V		●	●	—	—							
							S9P		●	●	—	—							
							S9PV		●	●	—	—							
For 10 and 15	Reed switch	Grommet	No	2-wire	5V, 12V	5V, 12V, 24V	90	Parallel cord	●	●	●	—	IC circuit	Relay, PLC					
							90A		●	●	●	—							
							97		●	●	●	—							
							93A		●	●	●	—							
							97		●	●	●	—							
							93A		●	●	●	—							
For 20, 30 and 40	Solid state switch	Grommet	Yes	2-wire	12V	—	T79	Heavy-duty cord	●	●	—	—	IC circuit	Relay, PLC					
							T79C		●	●	●	●							
							S79		●	●	—	—							
		Connector		3-wire (NPN)			5V, 12V		24V	S7P	●	●			—	—			
										3-wire (PNP)	—	100V			R73	●	●	—	—
															R73C	●	●	●	●
	R73C	●	●	●	●														
	Reed switch	Grommet	No	2-wire	—	48V, 100V	100 V or less	R80	Parallel cord	●	●	—	—	IC circuit	Relay, PLC				
								R80C		●	●	●	●						
								R80C		●	●	●	●						
		Connector						—		24 V or less	R80C	●	●			●	●		
											R80C	●	●			●	●		
R80C											●	●	●			●			

\* Lead wire length symbols: 0.5 m ..... Nil (Example) R73C  
3 m ..... L (Example) R73CL  
5 m ..... Z (Example) R73CZ  
None ..... N (Example) R73CN

## Flange Assembly Part No.

(For details, refer to page 52.)

Model	Assembly part no.
CRB2FW10	P211070-2
CRB2FW15	P211090-2
CRB2FW20	P211060-2
CRB2FW30	P211080-2

**Made to Order**  
(Refer to pages 69 to 73, 79 and 80 for details.)

Symbol	Specifications/Description
XA1 to XA24	Shaft type pattern
XC 1	Add connection port
XC 2	Change threaded hole to through-hole
XC 3	Change the screw position
XC 4	Change rotation range
XC 5	Change rotation range between 0 and 200°
XC 6	Change rotation range between 0 and 110°
XC 7	Reversed shaft
XC30	Fluorine grease

The above may not be selected when the product comes with an auto switch or angle adjustment unit. Refer to pages 69, 70 and 79 for details.

### Single Vane Specifications



Model (Size)	CRB2BW10-□S	CRB2BW15-□S	CRB2BW20-□S	CRB2BW30-□S	CRB2BW40-□S
Vane type	Single vane				
Rotating angle	90°, 180°	270°	90°, 180°	270°	90°, 180°, 270°
Fluid	Air (Non-lube)				
Proof pressure (MPa)	1.05			1.5	
Ambient and fluid temperature	5 to 60°C				
Max. operating pressure (MPa)	0.7			1.0	
Min. operating pressure (MPa)	0.2	0.15			0.15
Rotation time adjustment range s/90° <sup>(1)</sup>	0.03 to 0.3		0.04 to 0.3		0.07 to 0.5
Allowable kinetic energy (J) <sup>(2)</sup>	0.00015	0.001	0.003	0.02	0.04
		0.00025	0.0004	0.015	0.03
Shaft load (N)	Allowable radial load	15	15	25	30
	Allowable thrust load	10	10	20	25
Bearing type	Bearing				
Port location	Side ported or Axial ported				
Port size	Side ported	M5 x 0.8	M3 x 0.5	M5 x 0.8	M3 x 0.5
	Axial ported	M3 x 0.5			M5 x 0.8
Shaft type	Double shaft (Double shaft with single flat on both shafts)				Double shaft (Long shaft & single flat)
Angle adjustable range <sup>(3)</sup>	0 to 230°		0 to 240°		0 to 230°
Mounting	Basic style, Flange style				Basic
Auto switch	Mountable (Side ported only)				

Note 3) Adjustment range in the table is for 270°. For 90° and 180°, refer to page 142.

### Double Vane Specifications

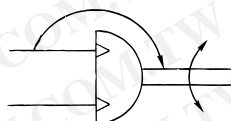
Model (Size)	CRB2BW10-□D	CRB2BW15-□D	CRB2BW20-□D	CRB2BW30-□D	CRB2BW40-□D
Vane type	Double vane				
Rotating angle	90°, 100°				
Fluid	Air (Non-lube)				
Proof pressure (MPa)	1.05			1.5	
Ambient and fluid temperature	5 to 60°C				
Max. operating pressure (MPa)	0.7			1.0	
Min. operating pressure (MPa)	0.2	0.15			0.15
Rotation time adjustment range s/90° <sup>(1)</sup>	0.03 to 0.3		0.04 to 0.3		0.07 to 0.5
Allowable kinetic energy (J)	0.0003	0.0012	0.0033	0.02	0.04
Shaft load (N)	Allowable radial load	15	15	25	30
	Allowable thrust load	10	10	20	25
Bearing type	Bearing				
Port location	Side ported or Axial ported				
Port size (Side ported, Axial ported)	M3 x 0.5			M5 x 0.8	
Shaft type	Double shaft (Double shaft with single flat on both shafts)				
Angle adjustable range <sup>(3)</sup>	0 to 90°				
Mounting	Basic style, Flange style			Basic style	
Auto switch	Mountable (Side ported only)				

Note 1) Make sure to operate within the speed regulation range. Exceeding the maximum speed (0.3 sec/90°) can cause the unit to stick or not operate.

Note 2) The upper numbers in this section in the table indicate the energy factor when the rubber bumper is used (at the end of the rotation), and the lower numbers indicate the energy factor when the rubber bumper is not used.

Note 3) Adjustment range in the table is for 100°. For 90°, refer to page 142.

JIS Symbol



### Volume

Vane type	Single vane										Double vane														
	Model		CRB2BW10-□S	CRB2BW15-□S	CRB2BW20-□S	CRB2BW30-□S	CRB2BW40-□S	CRB2BW10-□D	CRB2BW15-□D	CRB2BW20-□D	CRB2BW30-□D	CRB2BW40-□D	CRB2BW10-□D	CRB2BW15-□D	CRB2BW20-□D	CRB2BW30-□D	CRB2BW40-□D								
Rotation	90°	180°	270°	90°	180°	270°	90°	180°	270°	90°	180°	270°	90°	100°	90°	100°	90°	100°	90°	100°	90°	100°			
Volume	1 (0.6)	1.2	1.5	1.5 (1.0)	2.9	3.7	4.8 (3.6)	6.1	7.9	11.3 (8.5)	15	20.2	25 (18.7)	31.5	41	1.0	1.1	2.6	2.7	5.6	5.7	14.4	14.5	33	34

\* Values inside ( ) are volume of the supply side when A port is pressurized.

### Mass

Vane type	Single vane										Double vane														
	Model		CRB2BW10-□S	CRB2BW15-□S	CRB2BW20-□S	CRB2BW30-□S	CRB2BW40-□S	CRB2BW10-□D	CRB2BW15-□D	CRB2BW20-□D	CRB2BW30-□D	CRB2BW40-□D	CRB2BW10-□D	CRB2BW15-□D	CRB2BW20-□D	CRB2BW30-□D	CRB2BW40-□D								
Rotating angle	90°	180°	270°	90°	180°	270°	90°	180°	270°	90°	180°	270°	90°	100°	90°	100°	90°	100°	90°	100°	90°	100°			
Body of rotary actuator	26.3	26.0	25.7	50	49	48	106	105	103	203	198	193	387	376	365	42	43	57	60	121	144	223	243	400	446
Flange assembly	9		10			19		25			—		9		10		19		25		—				
Auto switch unit + 2 switches	30			30			50			60			46.5		30		30		50		60		46.5		
Angle adjuster	30			47			90			150			203		30		47		90		150		203		

## Rotary Actuator: Replaceable Shaft

A shaft can be replaced with a different shaft type except for standard shaft type (W).

Without auto switch CRB2B J P Size — Rotating angle Vane type Port location — Made to order

### Shaft type

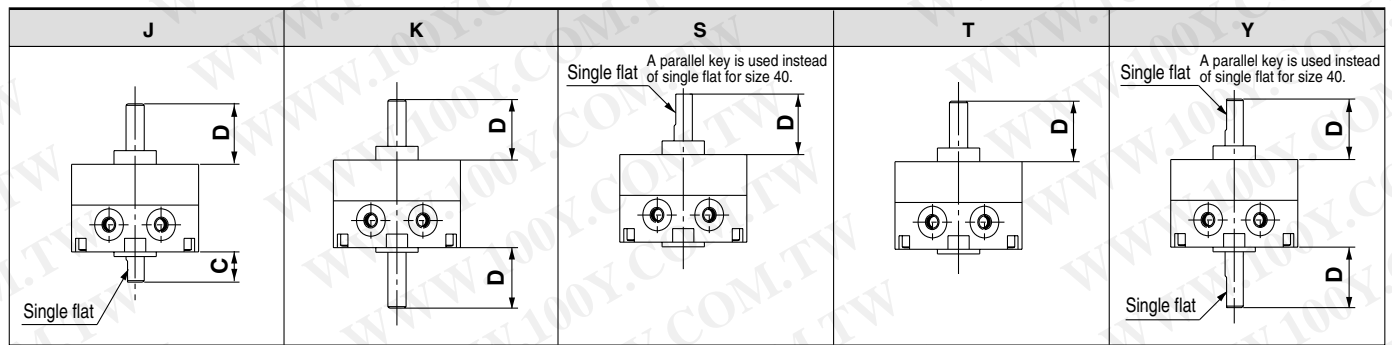
Symbol	Shaft type	Shaft-end shape	Size				
			10	15	20	30	40
J	Double shaft	Long shaft without single flat & with single flat	●	●	●	●	●
		Long shaft without keyway & with single flat					●
K	Double shaft	Double round shaft					●
S	Single shaft	Single shaft with single flat	●	●	●	●	●
		Single shaft key					●
T	Single shaft	Single round shaft	●	●	●	●	●
Y	Double shaft	Double shaft with single flat	●	●	●	●	●
		Double shaft key					●

Pattern	
Nil	Without Made to Order
P	Simple Specials/Made to Order

### Made to order

Symbol	Description
XA31 to XA58	Shaft type pattern
XC 1	Add connection port
XC 2	Change threaded hole to through-hole
XC 3	Change the screw position
XC 4	Change rotation range
XC 5	Change rotation range between 0 and 200°
XC 6	Change rotation range between 0 and 110°
XC 7	Reversed shaft
XC30	Fluorine grease

For details, refer to pages 74 to 80.



Size	10	15	20	30	40
C	8	9	10	13	15
D	14	18	20	22	30

Note 1) Dimensions and tolerance of the shaft and single flat (a parallel key for size 40) are the same as the standard.

With auto switch With angle adjusted CDRB2B J U P Size — Rotating angle Vane type — Made to order

Pattern	
Nil	Without Made to Order
P	Simple Specials/Made to Order

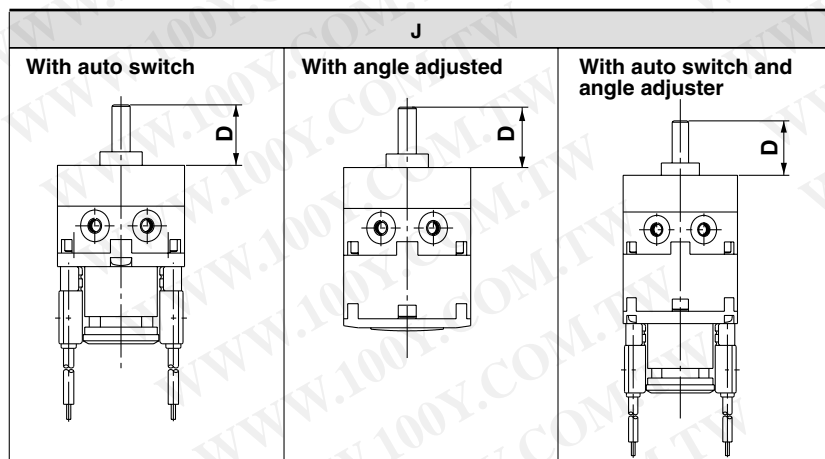
### Shaft type

Symbol	Shaft type	Shaft-end shape	Size				
			10	15	20	30	40
J	Double shaft	Long shaft without single flat & with single flat	●	●	●	●	●
		Long shaft without keyway & with single flat					●

### Made to order

Symbol	Description
XA31 to XA58	Shaft type pattern
XC 1	Add connection port
XC 2	Change threaded hole to through-hole
XC 3	Change the screw position
XC 4	Change rotation range
XC 5	Change rotation range between 0 and 200°
XC 6	Change rotation range between 0 and 110°
XC 7	Reversed shaft
XC30	Fluorine grease

The above may not be selected when the product comes with an auto switch or angle adjustment unit. Refer to pages 74, 75 and 79 for details.



Size	10	15	20	30	40
D	14	18	20	22	30

Note 1) Only side ports are available except for basic type.  
 Note 2) Dimensions and tolerance of the shaft and single flat (a parallel key for size 40) are the same as the standard.

**Copper-free and Fluorine-free Rotary Actuator**



● **Pattern**

<b>Nil</b>	Without Made to Order
<b>P</b>	Simple Specials/Made to Order

● **Copper-free and fluorine-free**

Use the standard vane type rotary actuators in all series to prevent any adverse effects to CRTs due to copper ions or fluororesin.

● **Made to order**

Symbol	Description
<b>XA1 to XA24</b>	Shaft type pattern
<b>XC 1</b>	Add connection port
<b>XC 2</b>	Change threaded hole to through-hole
<b>XC 3</b>	Change the screw position
<b>XC 4</b>	Change rotation range
<b>XC 5</b>	Change rotation range between 0 and 200°
<b>XC 6</b>	Change rotation range between 0 and 110°
<b>XC 7</b>	Reversed shaft

The above may not be selected when the product comes with an auto switch or angle adjustment unit. Refer to pages 69, 70 and 79 for details.

**Specifications**

Vane type	Single/Double vane				
	10	15	20	30	40
Operating pressure range (MPa)	0.2 to 0.7	0.15 to 0.7	0.15 to 1.0		
Speed regulation range (s/90°)	0.03 to 0.3		0.04 to 0.3	0.07 to 0.5	
Port location	Side ported or axial ported (Basic style only)				
Piping	Screw-in type				
Mounting	Basic style only				
Variations	Basic style, With auto switch, With angle adjuster				

- CRB2**
- CRBU2**
- CRB1**
- MSU**
- CRJ**
- CRA1**
- CRQ2**
- MSQ**
- MSZ**
- CRQ2X**
- MSQX**
- MRQ**

**⚠ Precautions**

Be sure to read before handling. Refer to front matters 38 and 39 for Safety Instructions and pages 4 to 13 for Rotary Actuator and Auto Switch Precautions.

**Angle Adjuster**

**⚠ Caution**

1. Since the maximum angle of the rotation adjustment range will be limited by the rotation of the rotary actuator itself, make sure to take this into consideration when ordering. Refer to the table below.

Rotating angle of the rotary actuator	Rotating angle adjustment range
270° <sup>+4</sup> / <sub>0</sub>	0° to 230° (Size: 10, 40) *1 0° to 240° (Size: 15, 20, 30)
180° <sup>+4</sup> / <sub>0</sub>	0° to 175°
90° <sup>+4</sup> / <sub>0</sub>	0° to 85°

- \*1 The maximum adjustment angle of the angle adjuster for size 40 is 230°.
2. Connection ports are side ports only.
  3. The allowable kinetic energy is the same as the specifications of the rotary actuator by itself (i.e., without angle adjuster).
  4. Use a 100° rotary actuator if you desire to adjust the angle to 90° using a double vane type.



# Series CRB2

勝特力材料 886-3-5753170  
 勝特力电子(上海) 86-21-34970699  
 勝特力电子(深圳) 86-755-83298787  
[Http://www.100y.com.tw](http://www.100y.com.tw)

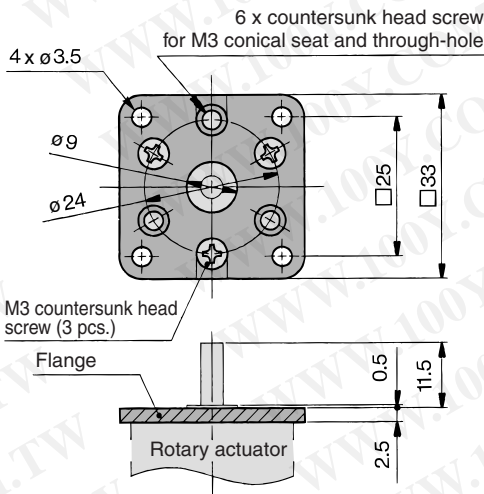
## Option Specifications: Flange (Size: 10, 15, 20, 30)



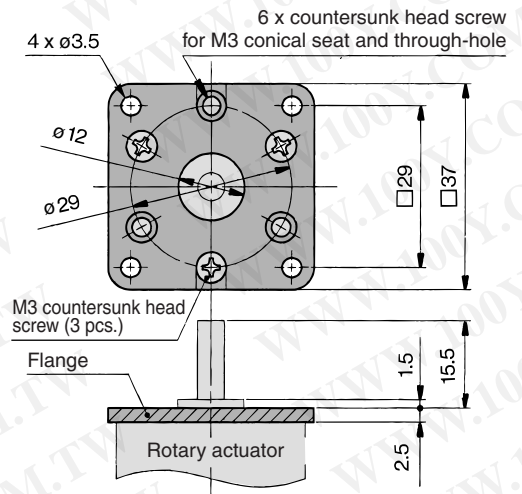
Basic type	Type			Flange assembly part no.
	With auto switch	With angle adjuster	With angle adjuster and auto switch	
<b>CRB2FW10</b>	CDRB2FW10	CRB2FWU10	CDRB2FWU10	P211070-2
<b>CRB2FW15</b>	CDRB2FW15	CRB2FWU15	CDRB2FWU15	P211090-2
<b>CRB2FW20</b>	CDRB2FW20	CRB2FWU20	CDRB2FWU20	P211060-2
<b>CRB2FW30</b>	CDRB2FW30	CRB2FWU30	CDRB2FWU30	P211080-2

Note 1) The flange (with countersunk head screws) is not mounted on the actuator at the time of shipment.  
 Note 2) The flange can be mounted on the rotary actuator at 60-degree intervals.

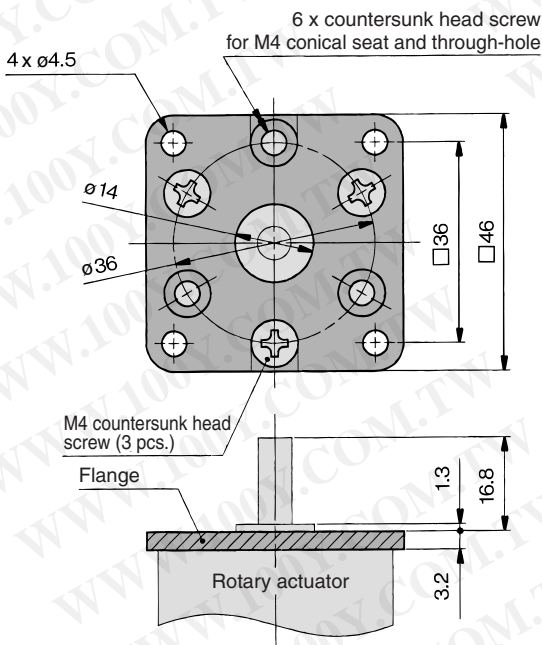
### Assembly Part No.: P211070-2 (for C□RB2FW□10)



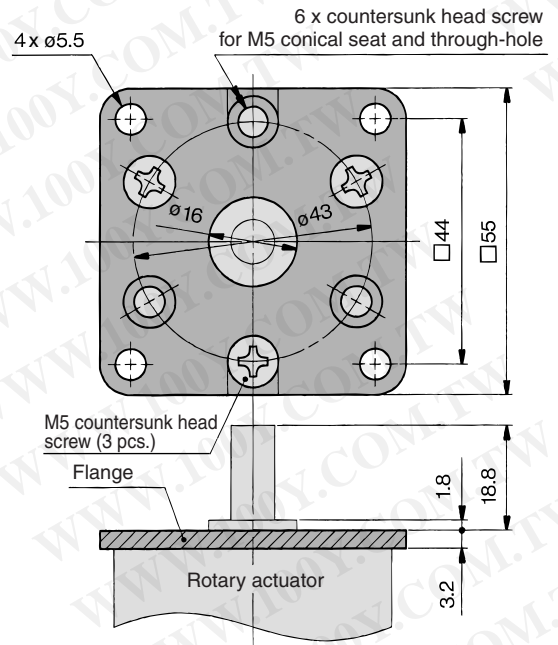
### Assembly Part No.: P211090-2 (for C□RB2FW□15)



### Assembly Part No.: P211060-2 (for C□RB2FW□20)



### Assembly Part No.: P211080-2 (for C□RB2FW□30)

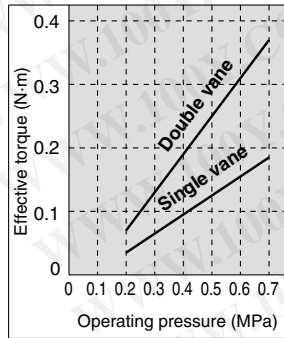




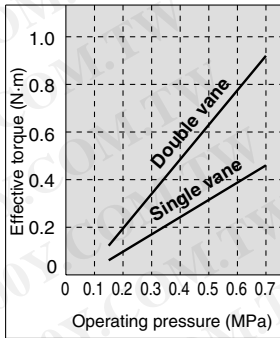
**Effective Output**

**Direct Mounting of Body**

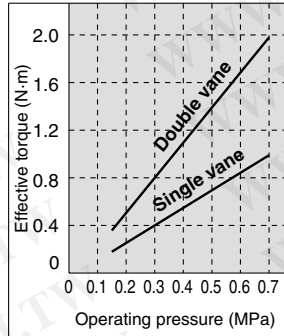
**CRB2BW10**



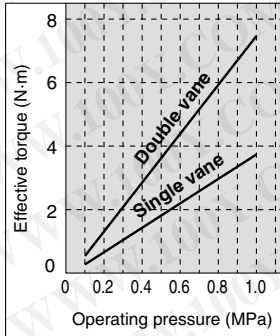
**CRB2BW15**



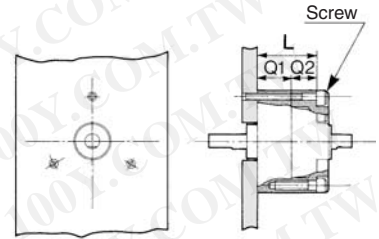
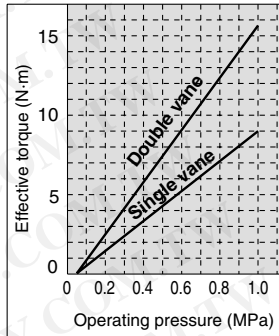
**CRB2BW20**



**CRB2BW30**



**CRB2BW40**



Dimension "L" of the actuators is provided in the table below for JIS standard hexagon socket head cap screws. If these types of screw are used, their heads will fit in the mounting hole.

Model	L	Screw
CRB2BW10	11.5 *	M2.5
CRB2BW15	16	M2.5
CRB2BW20	24.5	M3
CRB2BW30	34.5	M4
CRB2BW40	39.5	M4

\* Only the size 10 actuators have different L dimensions for single and double vane.  
Double vane: L = 20.5  
\* Refer to page 56 for Q1 and Q2 dimensions.

CRB2

CRBU2

CRB1

MSU

CRJ

CRA1

CRQ2

MSQ

MSZ

CRQ2X  
MSQX

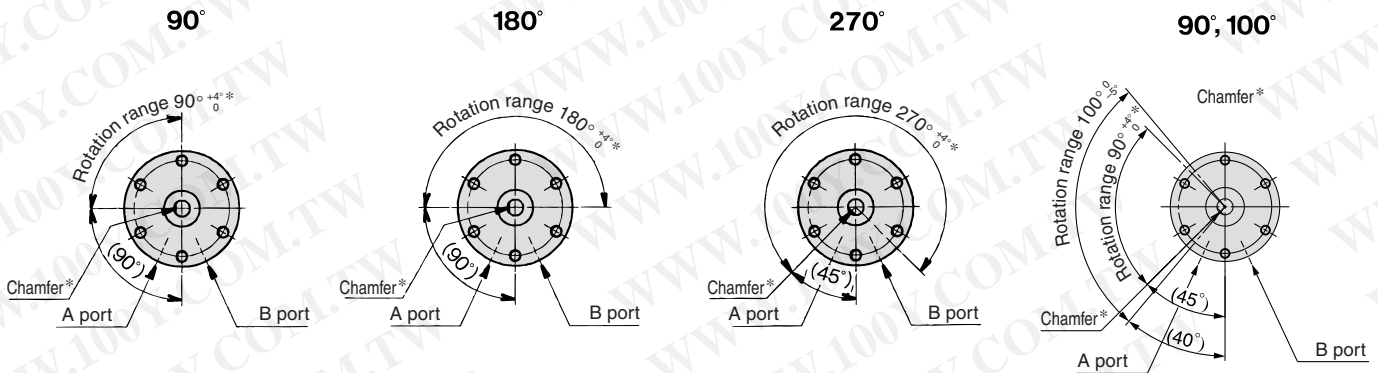
MRQ

**Chamfered Position and Rotation Range: Top View from Long Shaft Side**

Chamfered positions shown below illustrate the conditions of actuators when B port is pressurized.

**Single vane type**

**Double vane type**



\* For size 40 actuators, a parallel keyway will be used instead of chamfer.

Note 1) For single vane type, rotation tolerance of 90°, 180°, and 270° actuators will be  $^{+5}_{0}$  for size 10 actuators only.  
For double vane style, the tolerance of rotation angle of 90° will be  $^{+5}_{0}$  for size 10 only.  
Note 2) The chamfered position of the double vane type shows the 90° specification position.

D-□

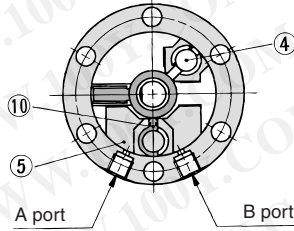
勝特力材料 886-3-5753170  
 勝特力电子(上海) 86-21-34970699  
 勝特力电子(深圳) 86-755-83298787  
[Http://www.100y.com.tw](http://www.100y.com.tw)

# Series CRB2

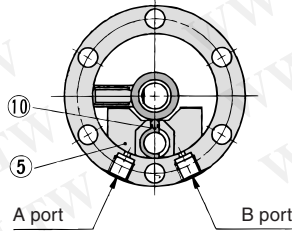
## Construction: 10, 15, 20, 30, 40

**Single vane type** • Figures for 90° and 180° show the condition of the actuators when B port is pressurized, and the figure for 270° shows the position of the ports during rotation.

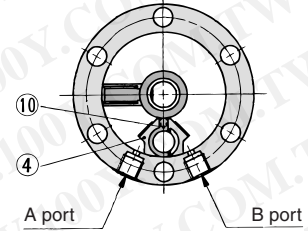
**For 90°**  
(Top view from long shaft side)



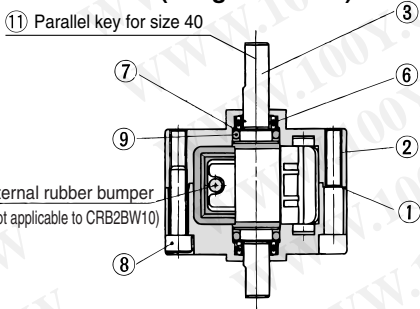
**For 180°**  
(Top view from long shaft side)



**For 270°**  
(Top view from long shaft side)



(Long shaft side)



(Short shaft side)

### Component Parts

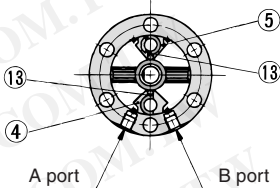
No.	Description	Material	Note
1	Body (A)	Aluminum alloy	Anodized
2	Body (B)	Aluminum alloy	Anodized
3	Vane shaft	Stainless steel *	
4	Stopper	Resin	For 270°
5	Stopper	Resin	For 180°
6	Bearing	High carbon chrome bearing steel	
7	Back-up ring	Stainless steel	
8	Hexagon socket head cap screw	Stainless steel	Special screw
9	O-ring	NBR	
10	Stopper seal	NBR	Special seal
11	Parallel key	Carbon steel	Size 40 only

\* Carbon steel for CRB2BW30 and CRB2BW40.

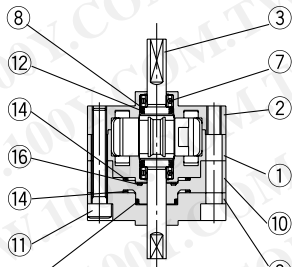
### Double vane type

**CRB2BW10-□D**/Figures below show the intermediate rotation position when A or B port is pressurized.

**For 90°**  
(Top view from long shaft side)

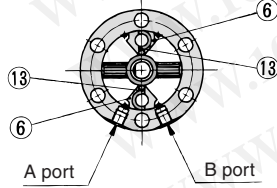


(Long shaft side)

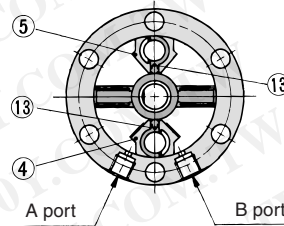


(Short shaft side)

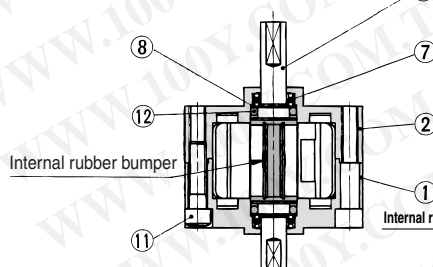
**For 100°**  
(Top view from long shaft side)



**For 90°**  
(Top view from long shaft side)

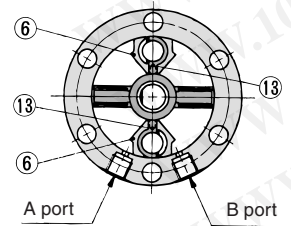


(Long shaft side)

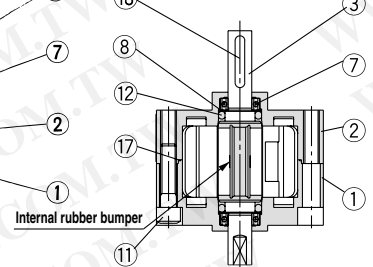


(Short shaft side)

**For 100°**  
(Top view from long shaft side)



(Long shaft side)



(Short shaft side)  
For size 40

### Component Parts

No.	Description	Material	Note
1	Body (A)	Aluminum alloy	Anodized
2	Body (B)	Aluminum alloy	Anodized
3	Vane shaft	Carbon steel	
4	Stopper	Stainless steel *	
5	Stopper	Resin	
6	Stopper	Stainless steel *	
7	Bearing	High carbon chrome bearing steel	
8	Back-up ring	Stainless steel	
9	Cover	Aluminum alloy	Anodized

\* For size 40, material for no. 4 6 is die-cast aluminum.

### Component Parts

No.	Description	Material	Note
10	Plate	Resin	
11	Hexagon socket head cap screw	Stainless steel	Special screw
12	O-ring	NBR	
13	Stopper seal	NBR	Special seal
14	Gasket	NBR	Special seal
15	O-ring	NBR	
16	O-ring	NBR	
17	O-ring	NBR	Double vane only
18	Parallel key	Carbon steel	Size 40 only

### Construction (With auto switch unit)

**Single vane type** • Following figures show actuators for 90° and 180° when B port is pressurized.

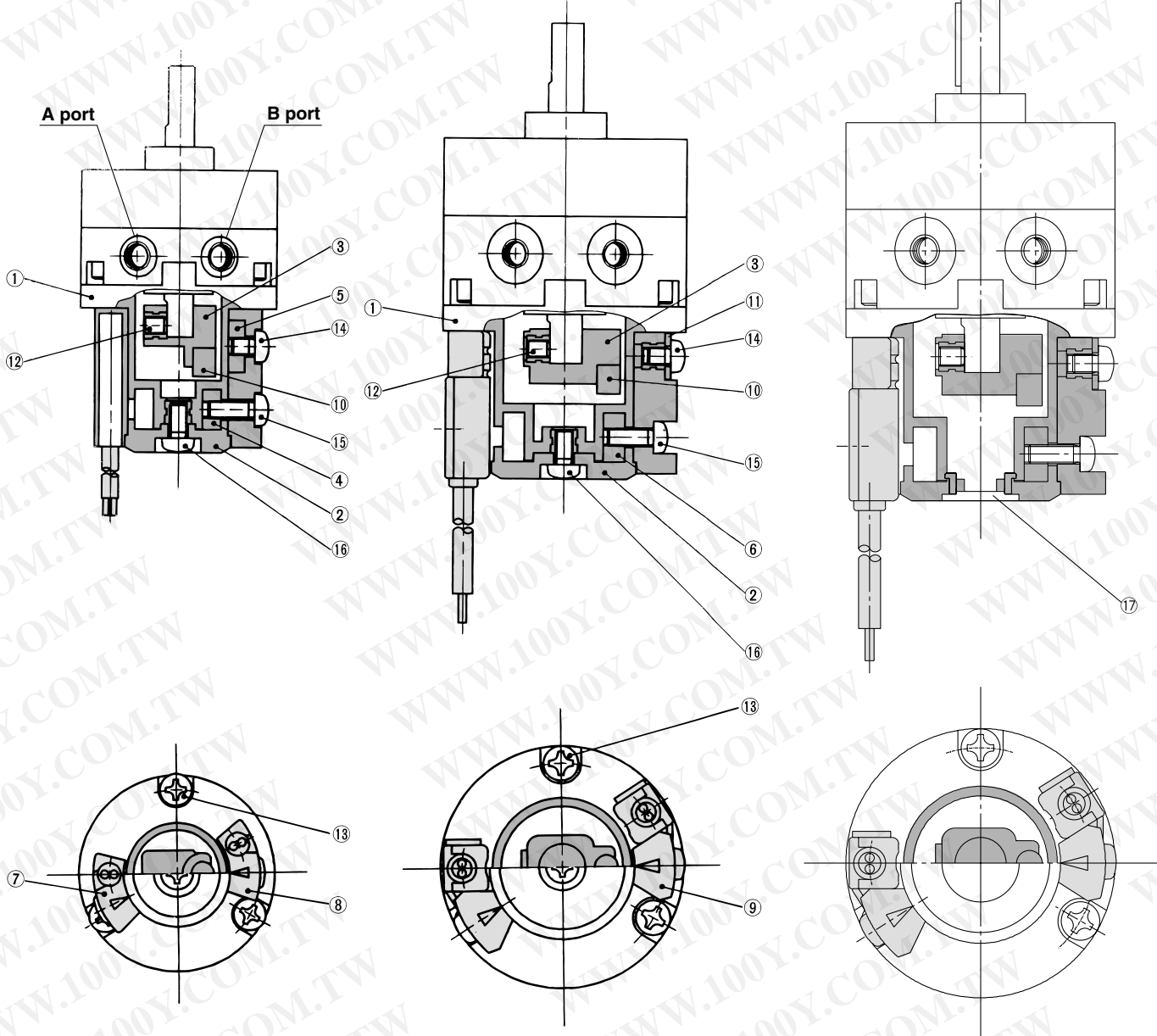
(Same switch units are used for both single and double vane types.)

**Double vane type** • Following figures show the intermediate rotation position when A or B port is pressurized.

CDRB2BW10/15-□<sup>S</sup><sub>D</sub>

CDRB2BW20/30-□<sup>S</sup><sub>D</sub>

CDRB2BW40-□<sup>S</sup><sub>D</sub>



CRB2

CRBU2

CRB1

MSU

CRJ

CRA1

CRQ2

MSQ

MSZ

CRQ2X  
MSQX

MRQ

### Component Parts

No.	Description	Material
1	Cover (A)	Resin
2	Cover (B)	Resin
3	Magnet lever	Resin
4	Holding block (A)	Aluminum alloy
5	Holding block (B)	Aluminum alloy
6	Holding block	Aluminum alloy
7	Switch block (A)	Resin
8	Switch block (B)	Resin
9	Switch block	Resin
10	Magnet	—

No.	Description	Material
11	Arm	Stainless steel
12	Hexagon socket head set screw	Stainless steel
13	Round head Phillips screw	Stainless steel
14	Round head Phillips screw	Stainless steel
15	Round head Phillips screw	Stainless steel
16	Round head Phillips screw	Stainless steel
17	Rubber cap	NBR

\* For CDRB2BW10, 2 round head Phillips screws, ⑬, are required.

D-□

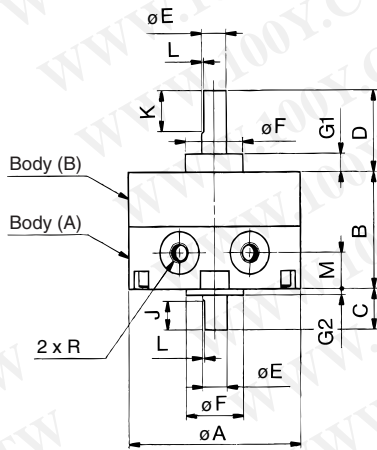
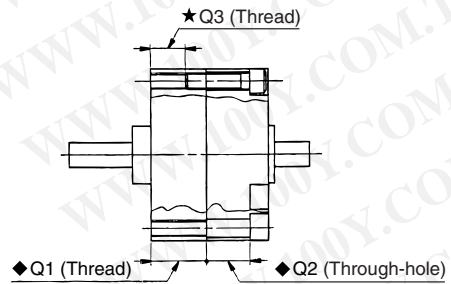
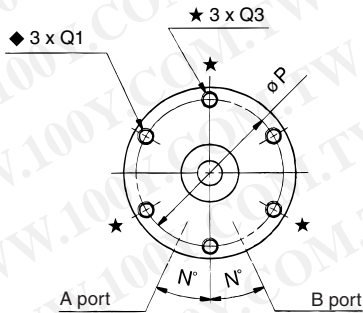
# Series CRB2

## Dimensions: 10, 15, 20, 30

**Single vane type** • Following figures show actuators for 90° and 180° when B port is pressurized.

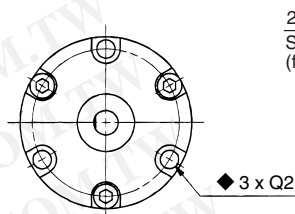
CRB2BW□-□S

<Port location: Side ported>

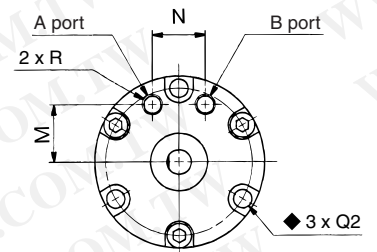
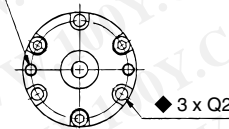


CRB2BW10-□S  
<Port location: Side ported>

CRB2BW□-□SE  
<Port location: Axial ported>



2 x M3 x 0.5 (Depth 4)  
Size 10 only  
(for mounting unit)



Note) Depths of Q1 and Q2 with the  $\blacklozenge$  mark indicate that the holes go through both bodies (A) and (B).

Note) The pre-drilled mounting threads for CRB2BW15, 20, and 30, 3 mounting holes depicted with the  $\star$  marks are for tightening the actuator and not to be used for external mounting.

(mm)

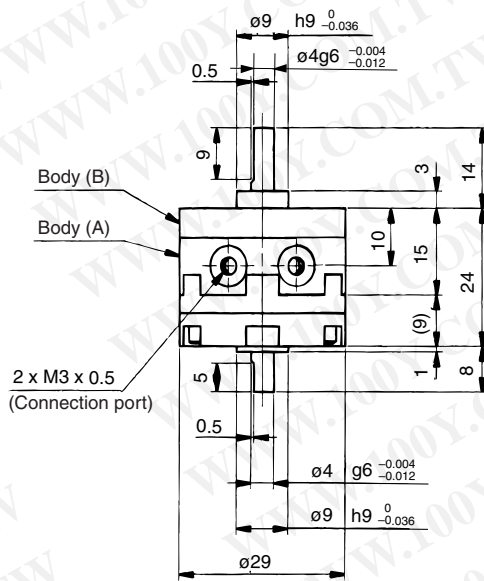
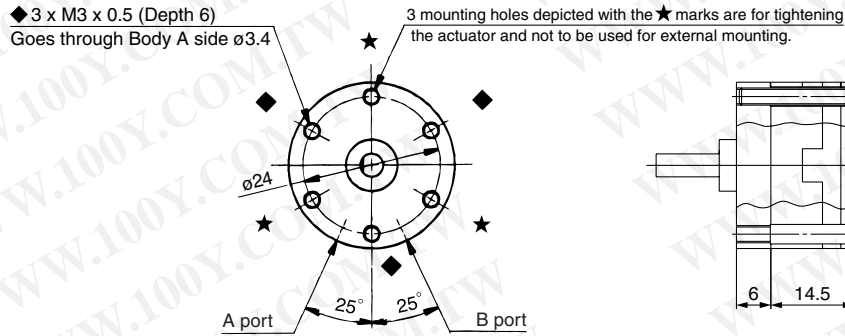
Model	A	B	C	D	E(g6)	F(h9)	G1	G2	J	K	L	M	N	P	Q (Depth)			R		
															$\blacklozenge$ Q1	$\blacklozenge$ Q2	$\star$ Q3	90°	180°	270°
CRB2BW10-□S	29	15	8	14	4 <sup>-0.004</sup> <sub>-0.012</sub>	9 <sup>0</sup> <sub>-0.036</sub>	3	1	5	9	0.5	5	25	24	M3	3.4	—	M5	M3	
CRB2BW10-□SE												8.5	9.5		(6)	(5.5)				
CRB2BW15-□S	34	20	9	18	5 <sup>-0.004</sup> <sub>-0.012</sub>	12 <sup>0</sup> <sub>-0.043</sub>	4	1.5	6	10	0.5	5	25	29	M3	3.4	M3	M5	M3	
CRB2BW15-□SE												11	10		(10)	(6)	(5)			
CRB2BW20-□S	42	29	10	20	6 <sup>-0.004</sup> <sub>-0.012</sub>	14 <sup>0</sup> <sub>-0.043</sub>	4.5	1.5	7	10	0.5	9	25	36	M4	4.5	M4	M5		
CRB2BW20-□SE												14	13		(13.5)	(11)	(7.5)			
CRB2BW30-□S	50	40	13	22	8 <sup>-0.005</sup> <sub>-0.014</sub>	16 <sup>0</sup> <sub>-0.043</sub>	5	2	8	12	1.0	10	25	43	M5	5.5	M5	M5		
CRB2BW30-□SE												15.5	14		(18)	(16.5)	(10)			

**Dimensions: 10**

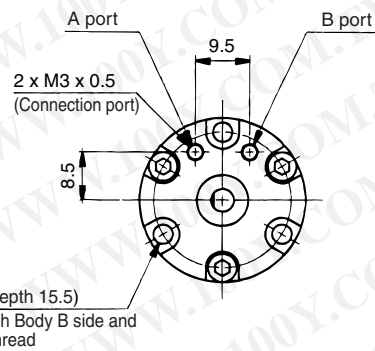
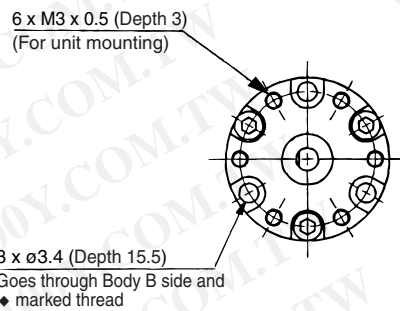
**Double vane type** • Following figures show the intermediate rotation position when A or B port is pressurized.

**CRB2BW10-□D**

<Port location: Side ported>



**CRB2BW10-□DE**  
<Port location: Axial ported>



CRB2

CRBU2

CRB1

MSU

CRJ

CRA1

CRQ2

MSQ

MSZ

CRQ2X  
MSQX

MRQ

D-□

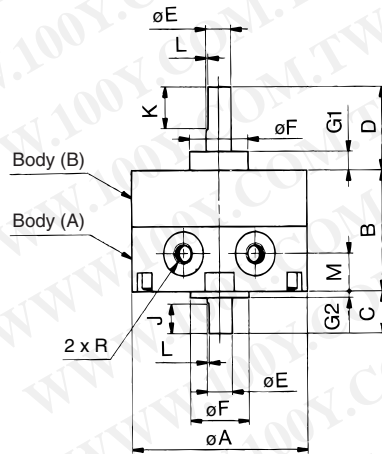
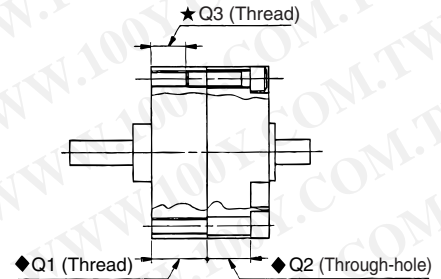
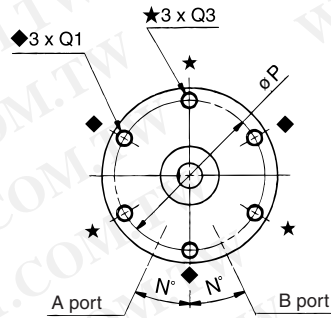
勝特力材料 886-3-5753170  
勝特力电子(上海) 86-21-34970699  
勝特力电子(深圳) 86-755-83298787  
[Http://www.100y.com.tw](http://www.100y.com.tw)

# Series CRB2

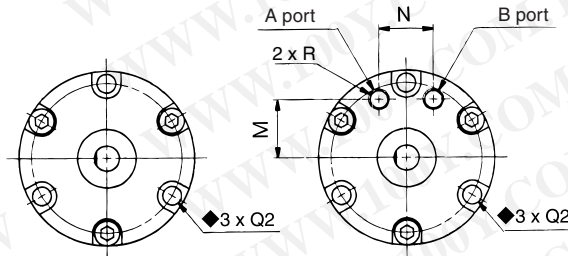
**Dimensions: 15, 20, 30**

**Double vane type** • Following figures show the intermediate rotation position when A or B port is pressurized.

**CRB2BW15/20/30-□D**  
**<Port location: Side ported>**



**CRB2BW15/20/30-□DE**  
**<Port location: Axial ported>**

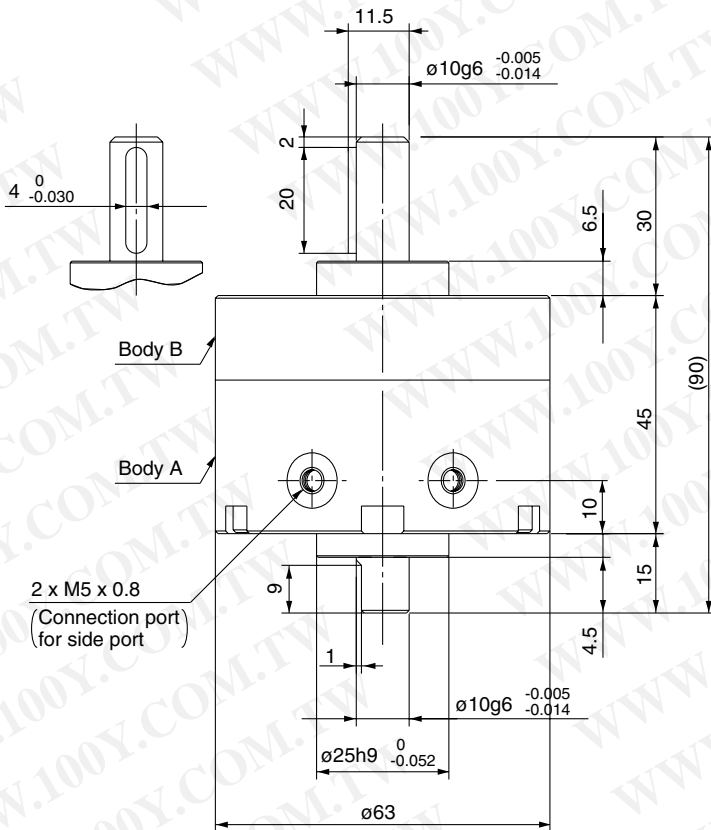
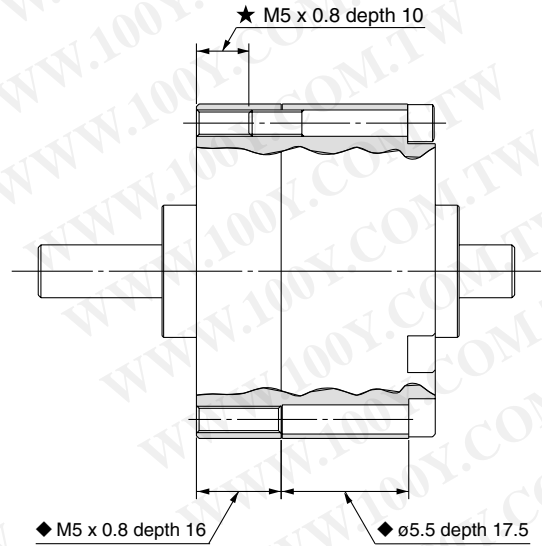
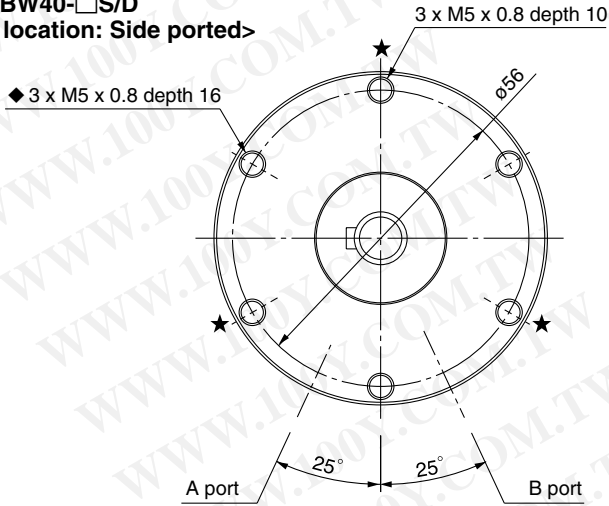


Model	A	B	C	D	E (g6)	F (h9)	G1	G2	J	K	L	M	N	P	Q (Depth)			R	
															◆Q1	◆Q2	★Q3	90°	100°
CRB2BW15-□D	34	20	9	18	5 <sup>-0.004</sup> <sub>-0.012</sub>	12 <sup>0</sup> <sub>-0.043</sub>	4	1.5	6	10	0.5	5	25	29	M3	3.4	M3	M3	
CRB2BW15-□DE												11	10		(10)	(6)	(5)		
CRB2BW20-□D	42	29	10	20	6 <sup>-0.004</sup> <sub>-0.012</sub>	14 <sup>0</sup> <sub>-0.043</sub>	4.5	1.5	7	10	0.5	9	25	36	M4	4.5	M4	M5	
CRB2BW20-□DE												14	13		(13.5)	(11)	(7.5)		
CRB2BW30-□D	50	40	13	22	8 <sup>-0.005</sup> <sub>-0.014</sub>	16 <sup>0</sup> <sub>-0.043</sub>	5	2	8	12	1.0	10	25	43	M5	5.5	M5	M5	
CRB2BW30-□DE												15.5	14		(18)	(16.5)	(10)		

**Dimensions: 40**

**Single vane type/Double vane type**

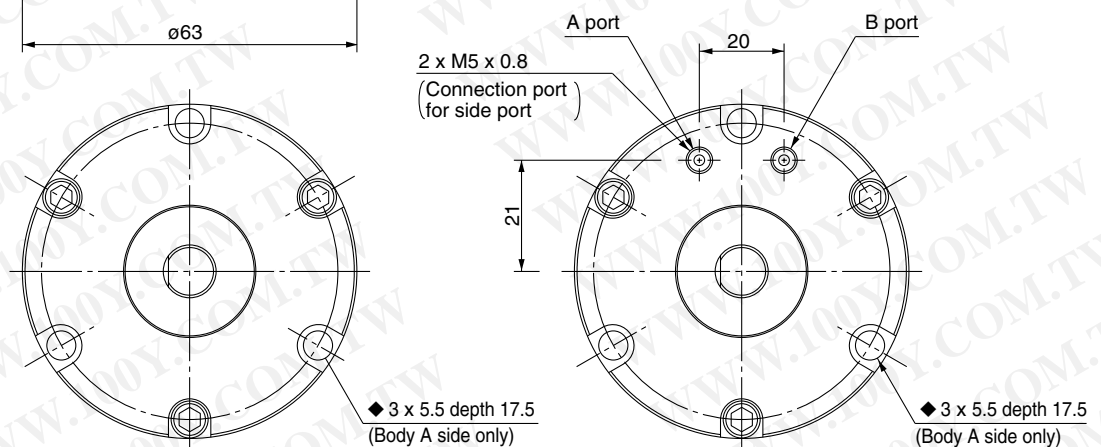
**CRB2BW40-□S/D**  
<Port location: Side ported>



- **For single vane type:**  
Figures show actuators for 90° and 180° when the B port is pressurized.
- **For double vane type:**  
Figures show the intermediate rotation position when the A or B port is pressurized.

Series	Keyway dimensions		
	b (h9)	h (h9)	ℓ
CRB2BW40-□□□	4 <sup>0</sup> <sub>-0.030</sub>	4 <sup>0</sup> <sub>-0.030</sub>	20

**CRB2BW40-□SE/DE**  
<Port location: Axial ported>



- CRB2
- CRBU2
- CRB1
- MSU
- CRJ
- CRA1
- CRQ2
- MSQ
- MSZ
- CRQ2X
- MSQX
- MRQ

D-□

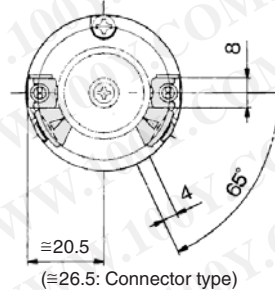
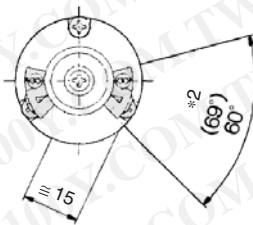
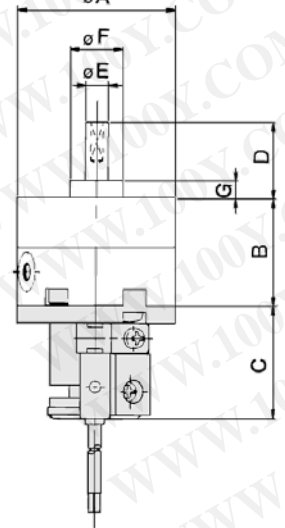
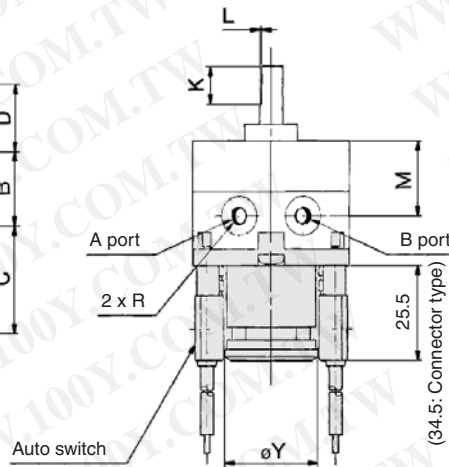
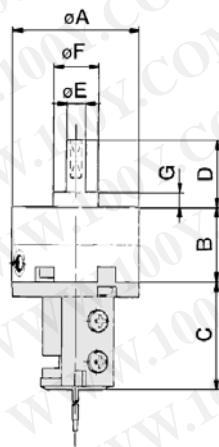
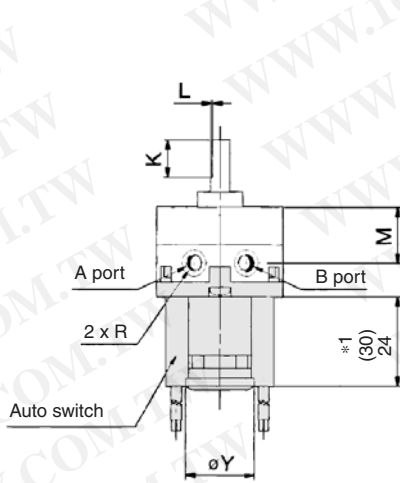
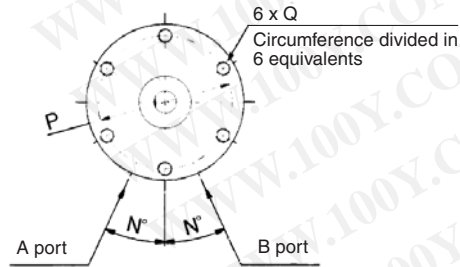
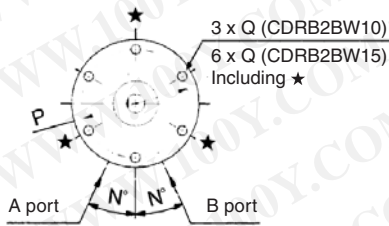
# Series CDRB2

## Dimensions: 10, 15, 20, 30 (With auto switch unit)

**Single vane type** • Following figures show actuators for 90° and 180° when B port is pressurized.

CDRB2BW10/15-□S

CDRB2BW20/30-□S



\* 1 The length is 24 when any of the following auto switches are used: D-90/90A/S99(V)/T99(V)/S9P(V)

The length is 30 when any of the following auto switches are used: D-97/93A

\* 2 The angle is 60° when any of the following auto switches are used: D-90/90A/97/93A

The angle is 69° when any of the following auto switches are used: D-S99(V)/T99(V)/S9P(V)

Note) For rotary actuators with auto switch unit, connection ports are side ports only.

\* The above exterior view drawings illustrate rotary actuators with one right-hand and one left-hand switch.

(mm)

Model	A	B	C	D	E (g6)	F (h9)	G	K	L	M	N	P	Q	R			Y
														90°	180°	270°	
CDRB2BW10-□S	29	15	29	14	4	9	3	9	0.5	10	25	24	M3 x 0.5 depth 5	M5 x 0.8	M3 x 0.5	18.5	
CDRB2BW15-□S	34	20	29	18	5	12	4	10	0.5	15	25	29	M3 x 0.5 depth 5	M5 x 0.8	M3 x 0.5	18.5	
CDRB2BW20-□S	42	29	30	20	6	14	4.5	10	0.5	20	25	36	M4 x 0.7 depth 7	M5 x 0.8		25	
CDRB2BW30-□S	50	40	31	22	8	16	5	12	1	30	25	43	M5 x 0.8 depth 10	M5 x 0.8		25	

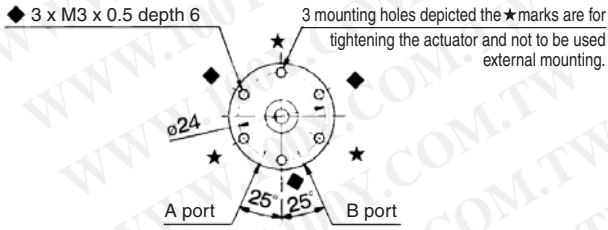


# Rotary Actuator With auto switch **Series CDRB2**

## Dimensions: 10, 15, 20, 30 (With auto switch unit)

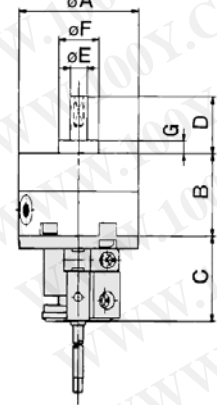
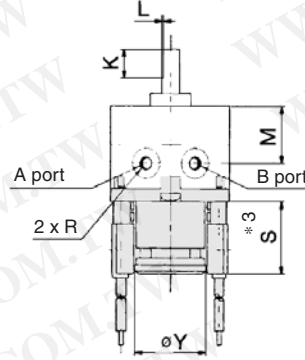
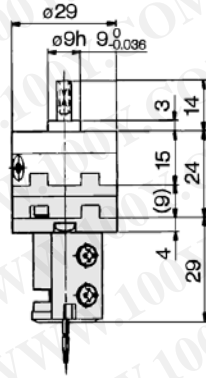
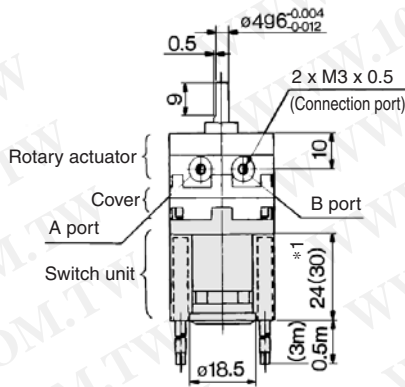
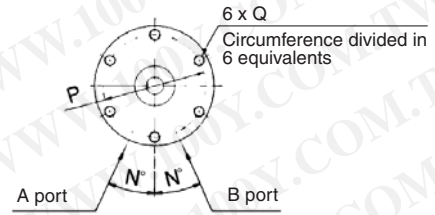
**Double vane type** • Figures below show the intermediate rotation position when A or B port is pressurized.

### CDRB2BW10-□D



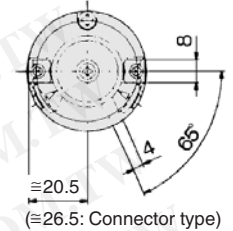
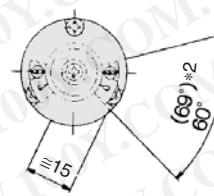
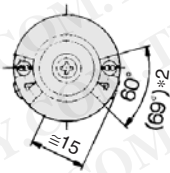
### CDRB2BW15/20/30-□D

(Dimensions are the same as the single vane type.)



### CDRB2BW15-□D

### CDRB2BW20/30-□D



\* 1 The length is 24 when any of the following auto switches are used: D-90/90A/S99(V)/T99(V)/S9P(V)  
The length is 30 when any of the following auto switches are used: D-97/93A

\* 2 The angle is 60° when any of the following auto switches are used: D-90/90A/97/93A

The angle is 69° when any of the following auto switches are used: D-S99(V)/T99(V)/S9P(V)

\* 3 The length (Dimension S) is 25.5 when any of the following grommet type auto switches are used: D-R73/R80/S79/T79/S7P

The length (Dimension S) is 34.5 when any of the following connector type auto switches are used: D-R73/R80/T79

Model	A	B	C	D	E (g6)	F (h9)	G	K	L	M	N	P	Q	R		S	Y
														90°	100°		
CDRB2BW15-□D	34	20	29	18	5	12	4	10	0.5	15	25	29	M3 x 0.5 depth 5	M3 x 0.5	24 <sup>*1</sup>	30 <sup>*1</sup>	18.5
CDRB2BW20-□D	42	29	30	20	6	14	4.5	10	0.5	20	25	36	M4 x 0.7 depth 7	M5 x 0.8	25.5 <sup>*3</sup>	34.5 <sup>*3</sup>	25
CDRB2BW30-□D	50	40	31	22	8	16	5	12	1	30	25	43	M5 x 0.8 depth 10	M5 x 0.8			25

CRB2

CRBU2

CRB1

MSU

CRJ

CRA1

CRQ2

MSQ

MSZ

CRQ2X  
MSQX

MRQ

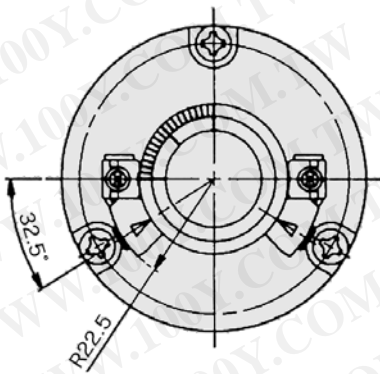
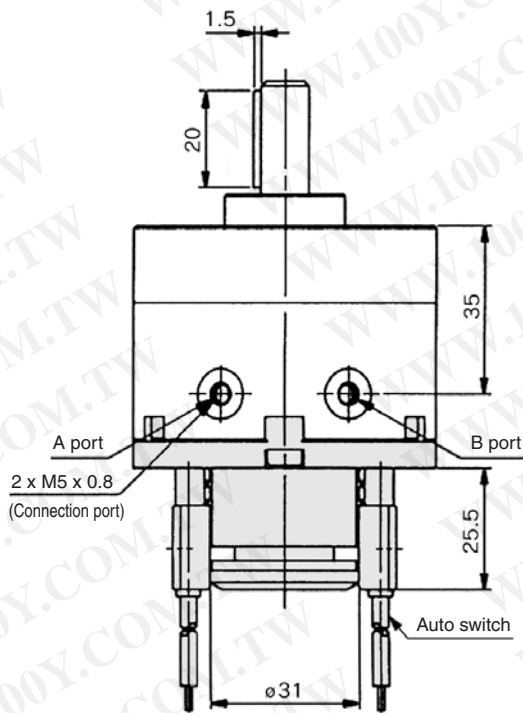
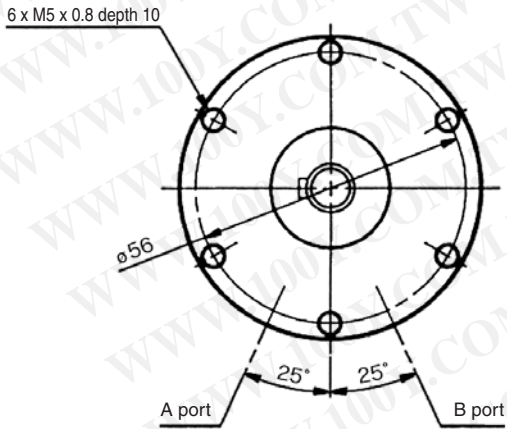
D-□

# Series CDRB2BW

## Dimensions: 40 (With auto switch unit)

Single vane type/Double vane type

CDRB2BW40-□S/D



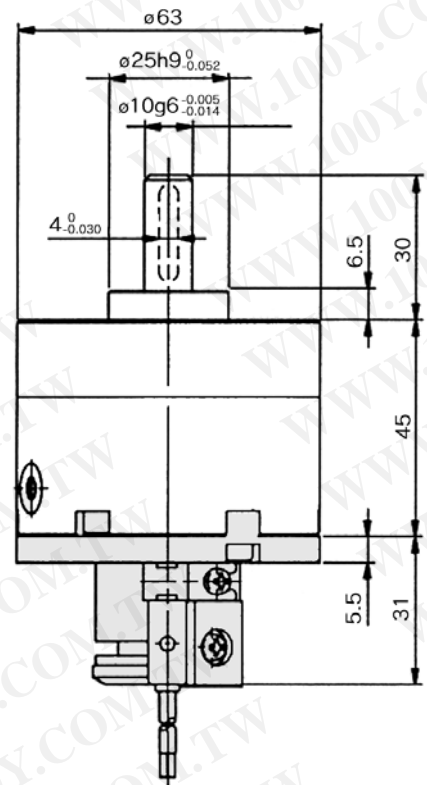
● For single vane type:

Figures show actuators for 90° and 180° when the B port is pressurized.

● For double vane type:

Figures show the intermediate rotation position when the A or B port is pressurized.

Keyway dimensions			
Series	b (h9)	h (h9)	ℓ
CDRB2BW40-□□□	4 <sup>0</sup> <sub>-0.030</sub>	4 <sup>0</sup> <sub>-0.030</sub>	20



勝特力材料 886-3-5753170  
 勝特力电子(上海) 86-21-34970699  
 勝特力电子(深圳) 86-755-83298787  
[Http://www.100y.com.tw](http://www.100y.com.tw)

# Rotary Actuator with Angle Adjuster Vane Style

# Series **CRB2BWU**

Size: 10, 15, 20, 30, 40



## How to Order

**Without auto switch**

CRB2 **B** WU [ ] **10** - **180** **S**

**With auto switch**  
Size: 10, 15

CDRB2 **F** WU [ ] **10** - **180** **S** - **T99** **L** [ ] - [ ]

**With auto switch**  
Size: 20, 30, 40

CDRB2 **B** WU [ ] **20** - **180** **S** - **T79** **L** [ ] - [ ]

**With auto switch**  
(With auto switch unit and built-in magnet)  
\* Refer to page 141 when the auto switch unit is needed separately.



### Mounting style

<b>B</b>	Basic style
<b>F</b>	Flange style

\* F: Except size 40

### With angle adjuster

<b>Nil</b>	Standard
<b>P</b>	Simple Specials/Made to Order

\* For details, refer to pages 69 to 80.

### Pattern

<b>Size</b>	<b>20</b>
	<b>30</b>
	<b>40</b>

### Vane type

<b>S</b>	Single vane
<b>D</b>	Double vane

### Rotating angle

Single vane	<b>90</b>	90°
	<b>180</b>	180°
	<b>270</b>	270°
Double vane	<b>90</b>	90°
	<b>100</b>	100°

### Auto switch

<b>Nil</b>	Without auto switch (built-in magnet)
------------	---------------------------------------

\* For the applicable auto switch model, refer to the table below.

<b>Size</b>	<b>10</b>
	<b>15</b>
	<b>20</b>
	<b>30</b>
	<b>40</b>

Refer to the table below for details.

### Number of auto switches

<b>S</b>	1 pc. *
<b>Nil</b>	2 pcs. **

\* S (1 auto switch) is shipped with a right-hand auto switch.

\*\* Nil (2 auto switches) is shipped with a right-hand and a left-hand switch.

### Electrical entry/Lead wire length

<b>Nil</b>	Grommet/Lead wire	0.5 m
<b>L</b>	Grommet/Lead wire	3 m
<b>C</b>	Connector/Lead wire	0.5 m
<b>CL</b>	Connector/Lead wire	3 m
<b>CN</b>	Connector/without lead wire	

\* Connectors are available only for auto switch types R73, R80 and T79.

\*\* Lead wire with connector part nos.

D-LC05: Lead wire 0.5 m

D-LC30: Lead wire 3 m

D-LC50: Lead wire 5 m

## Applicable Auto Switches/Refer to pages 761 to 809 for further information on auto switches.

Applicable size	Type	Electrical entry	Indicator light	Wiring (Output)	Load voltage		Auto switch model	Lead wire type	Lead wire length (m) *				Applicable load									
					DC	AC			0.5 (Nil)	3 (L)	5 (Z)	None (N)										
For 10 and 15	Solid state switch	Grommet	Yes	2-wire	24V	12V	T99	Heavy-duty cord	●	●	—	—	IC circuit	Relay, PLC								
									●	●	—	—										
									●	●	—	—										
									●	●	—	—										
									●	●	—	—										
									●	●	—	—										
	Reed switch	Grommet	Yes	2-wire	24V	5V, 12V	24 V or less	90	Parallel cord	●	●	●	—	IC circuit	Relay, PLC							
										●	●	●	—									
For 20, 30 and 40	Solid state switch	Grommet	Yes	2-wire	24V	12V	T79	Heavy-duty cord	●	●	—	—	IC circuit	Relay, PLC								
									●	●	—	—										
									●	●	—	—										
									●	●	—	—										
									●	●	—	—										
									●	●	—	—										
	Reed switch	Grommet	Yes	2-wire	24V	5V, 12V	100V or less	97	Parallel cord	●	●	●	—	IC circuit	Relay, PLC							
										●	●	●	—									
Reed switch	Grommet	Yes	2-wire	24V	—	100V	93A	Heavy-duty cord	●	●	—	—	IC circuit	Relay, PLC								
									Connector	Yes	2-wire	—			—	—	R73	Heavy-duty cord	●	●	—	—
																			Grommet	No	2-wire	—
	Connector	No	2-wire	—	—	—	R80	Heavy-duty cord					●	●								
									Grommet	No	2-wire	24V	48V, 100V	100 V or less	R80C	Heavy-duty cord	●	●	—	—	IC circuit	Relay, PLC
	Connector	No	2-wire	—	—	—	—	—									—	—	—	—		

\* Lead wire length symbols: 0.5 m ..... Nil (Example) R73C  
3 m ..... L (Example) R73CL  
5 m ..... Z (Example) R73CZ  
None ..... N (Example) R73CN

### Made to Order

(Refer to pages 69 to 73, 79 and 80 for details.)

Symbol	Specifications/Description
<b>XA1 to XA24</b>	Shaft type pattern
<b>XC 1</b>	Add connection port
<b>XC 2</b>	Change threaded hole to through-hole
<b>XC 3</b>	Change the screw position
<b>XC 4</b>	Change rotation range
<b>XC 5</b>	Change rotation range between 0 and 200°
<b>XC 6</b>	Change rotation range between 0 and 110°
<b>XC 7</b>	Reversed shaft
<b>XC30</b>	Fluorine grease

The above may not be selected when the product comes with an auto switch or angle adjustment unit. Refer to pages 69, 70 and 79 for details.

**CRB2**

CRBU2

CRB1

MSU

CRJ

CRA1

CRQ2

MSQ

MSZ

CRQ2X  
MSQX

MRQ

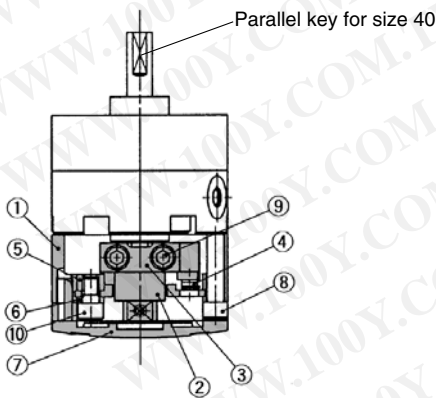
D-□

# Series CRB2BWU

**Construction** (Same switch units are used for both single and double vane type.)

**With angle adjuster**

CRB2BWU10/15/20/30/40-□<sup>S</sup><sub>D</sub>



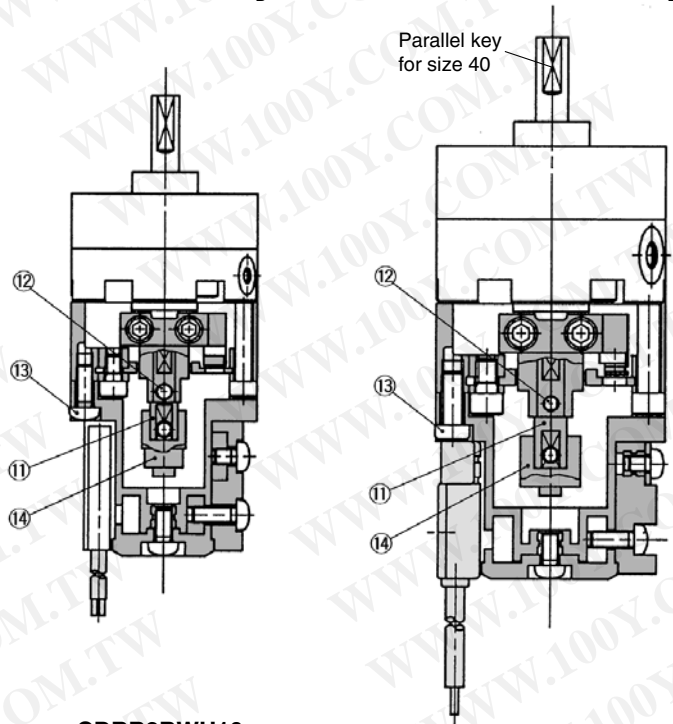
Single vane

Double vane

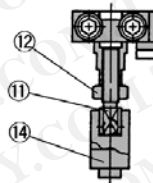
**With angle adjuster + Auto switch unit**

CDRB2BWU10/15-□<sup>S</sup><sub>D</sub>

CDRB2BWU20/30/40-□<sup>S</sup><sub>D</sub>



CDRB2BWU10



## ⚠ Precautions

Be sure to read before handling. Refer to front matters 38 and 39 for Safety Instructions and pages 4 to 13 for Rotary Actuator and Auto Switch Precautions.

## Angle Adjuster

### ⚠ Caution

1. Since the maximum angle of the rotation adjustment range will be limited by the rotation of the rotary actuator itself, make sure to take this into consideration when ordering.

Rotating angle of the rotary actuator	Rotating angle adjustment range
270° <sup>+4</sup> <sub>0</sub>	0° to 230° (Size: 10, 40) *1 0° to 240° (Size: 15, 20, 30)
180° <sup>+4</sup> <sub>0</sub>	0° to 175°
90° <sup>+4</sup> <sub>0</sub>	0° to 85°

\*1 The maximum adjustment angle of the angle adjuster for size 10 and 40 is 230°.

2. Connection ports are side ports only.
3. The allowable kinetic energy is the same as the specifications of the rotary actuator by itself (i.e., without angle adjuster).
4. Use a 100° rotary actuator if you desire to adjust the angle to 90° using a double vane type.

## Component Parts

No.	Description	Material	Note
1	Stopper ring	Aluminum die-casted	Electroless nickel plated
2	Stopper lever	Carbon steel	Electroless nickel plated
3	Lever retainer	Carbon steel	Zinc chromated
4	Rubber bumper	NBR	
5	Stopper block	Carbon steel	Zinc chromated
6	Block retainer	Carbon steel	Zinc chromated
7	Cap	Resin	
8	Hexagon socket head cap screw	Stainless steel	Special screw
9	Hexagon socket head cap screw	Stainless steel	Special screw
10	Hexagon socket head cap screw	Stainless steel	Special screw
11	Joint	Aluminum alloy	Note) Zinc chromated
12	Hexagon socket head cap screw	Stainless steel	Hexagon nut will be used for size 10 only.
	Hexagon nut	Stainless steel	
13	Round head Phillips screw	Stainless steel	Note)
14	Magnet lever	—	Note)

Note) These items (No. 11, 13, and 14) consist of auto switch unit and angle adjuster. Refer to pages 140 and 141 for detailed specifications. Stainless steel is used for size 10 only.

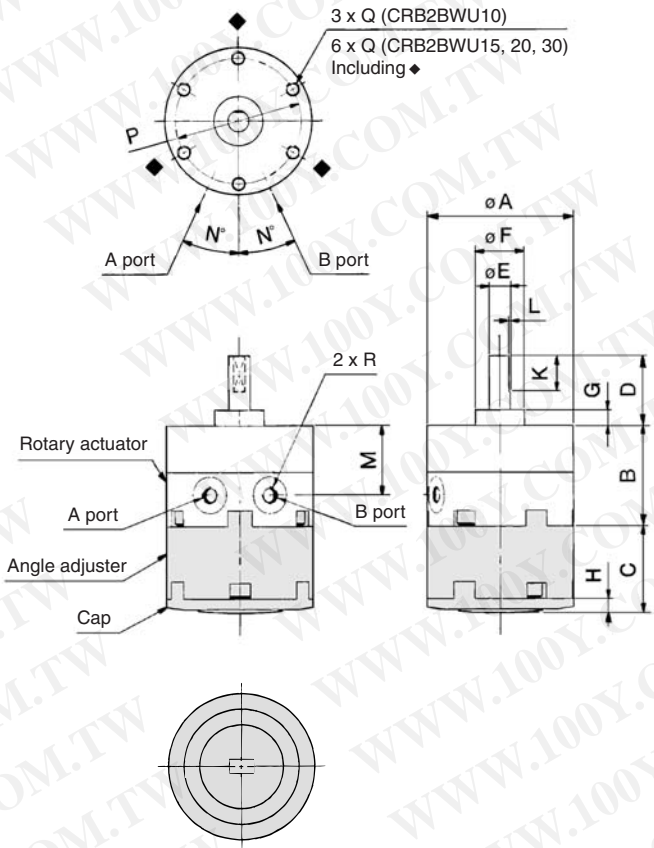
# Rotary Actuator with Angle Adjuster Vane Style **Series CRB2BWU**

## Dimensions: 10, 15, 20, 30 (With angle adjuster)

### Single vane type

**CRB2BWU10/15/20/30-□S**

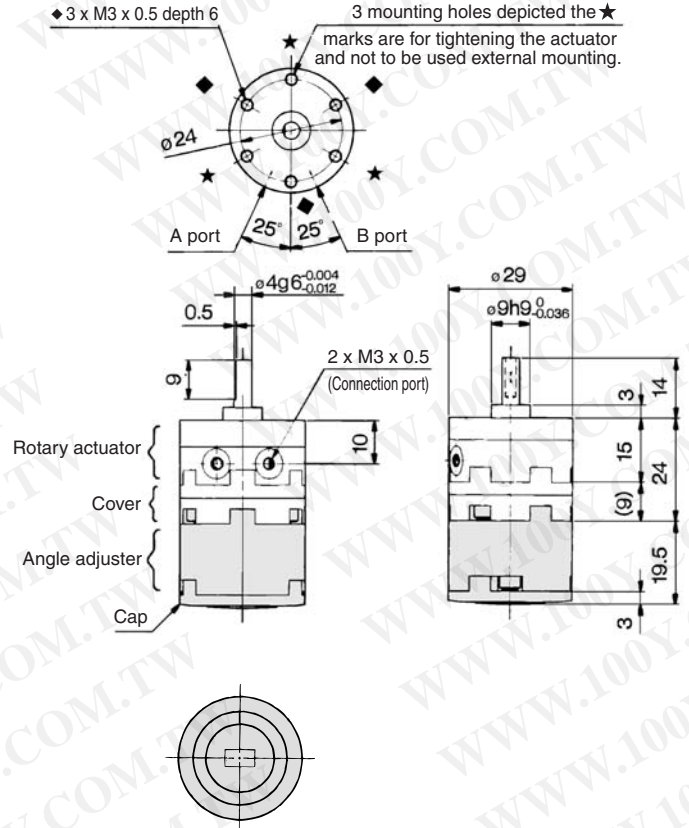
• Following figures show actuator for 90° when A port is pressurized.



### Double vane type

**CRB2BWU10-□D**

• Following figures show the intermediate rotation position when A or B port is pressurized.



### Double vane type

**CRB2BWU15/20/30-□D**

Dimensions for double vane type sizes 15, 20, and 30 are the same as those of single type.

CRB2

CRBU2

CRB1

MSU

CRJ

CRA1

CRQ2

MSQ

MSZ

CRQ2X  
MSQX

MRQ

Model	(mm)													
	A	B	C	D	E (g6)	F (h9)	G	H	K	L	M	N	P	Q
CRB2BWU10-□S	29	15	19.5	14	4	9	3	3	9	0.5	10	25	24	M3 x 0.5 depth 6
CRB2BWU15-□S	34	20	21.2	18	5	12	4	3.2	10	0.5	15	25	29	M3 x 0.5 depth 5
CRB2BWU15-□D														
CRB2BWU20-□S	42	29	25	20	6	14	4.5	4	10	0.5	20	25	36	M4 x 0.7 depth 7
CRB2BWU20-□D														
CRB2BWU30-□S	50	40	29	22	8	16	5	4.5	12	1	30	25	43	M5 x 0.8 depth 10
CRB2BWU30-□D														

Model	R			
	90°	100°	180°	270°
CRB2BWU10-□S	M5 x 0.8	—	M5 x 0.8	M3 x 0.5
CRB2BWU10-□D	*Refer to the drawing.			
CRB2BWU15-□S	M5 x 0.8	—	M5 x 0.8	M3 x 0.5
CRB2BWU15-□D	M3 x 0.5		—	
CRB2BWU20-□S	M5 x 0.8	—	M5 x 0.8	
CRB2BWU20-□D	M5 x 0.8		—	
CRB2BWU30-□S	M5 x 0.8	—	M5 x 0.8	
CRB2BWU30-□D	M5 x 0.8		—	

D-□

# Series CRB2BWU

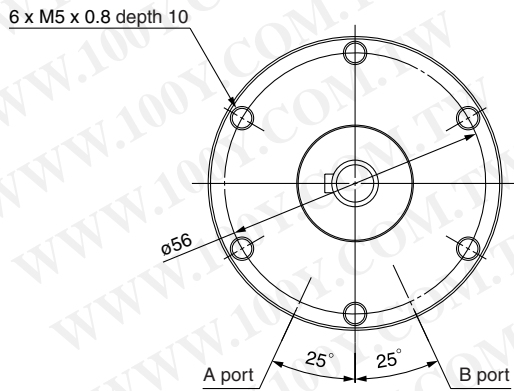
勝特力材料 886-3-5753170  
 勝特力电子(上海) 86-21-34970699  
 勝特力电子(深圳) 86-755-83298787  
[Http://www.100y.com.tw](http://www.100y.com.tw)

## Dimensions: 40 (With angle adjuster)

Single vane type/Double vane type  
 With angle adjuster

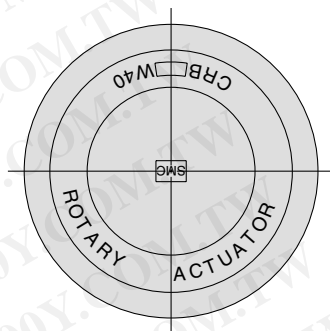
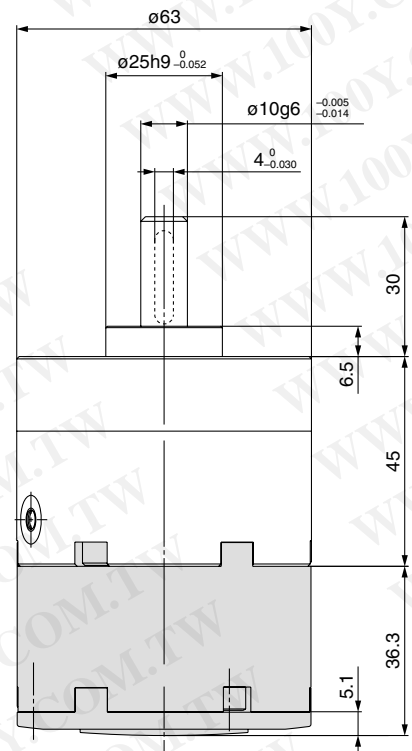
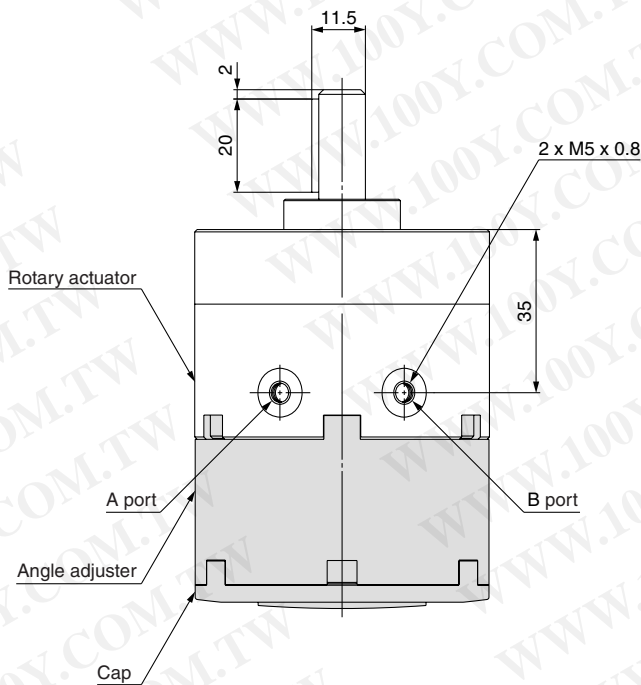
CRB2BWU40-□□S/D

- **For single vane type:**  
 Figures show actuators for 90° and 180° when the B port is pressurized.
- **For double vane type:**  
 Figures show the intermediate rotation position when the A or B port is pressurized.



(mm)

Keyway dimensions			
Model	b (h9)	h (h9)	l
CRB2BWU40-□□□	4 <sup>0</sup> <sub>-0.030</sub>	4 <sup>0</sup> <sub>-0.030</sub>	20

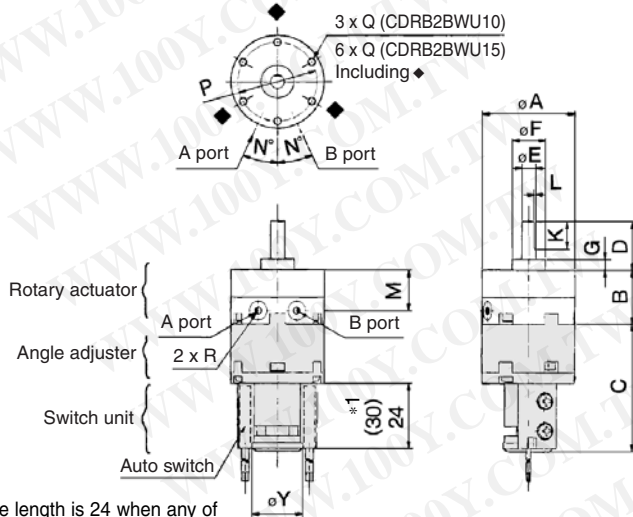


# Rotary Actuator with Angle Adjuster Vane Style **Series CRB2BWU**

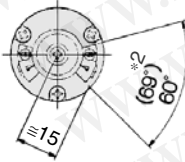
## Dimensions: 10, 15, 20, 30 (With angle adjuster and auto switch unit)

### Single vane type CDRB2BWU10/15-□S

• Following figures show actuator for 90° when A port is pressurized.

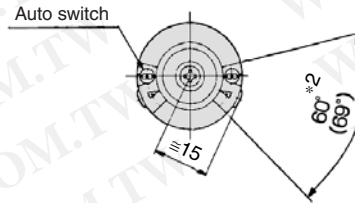
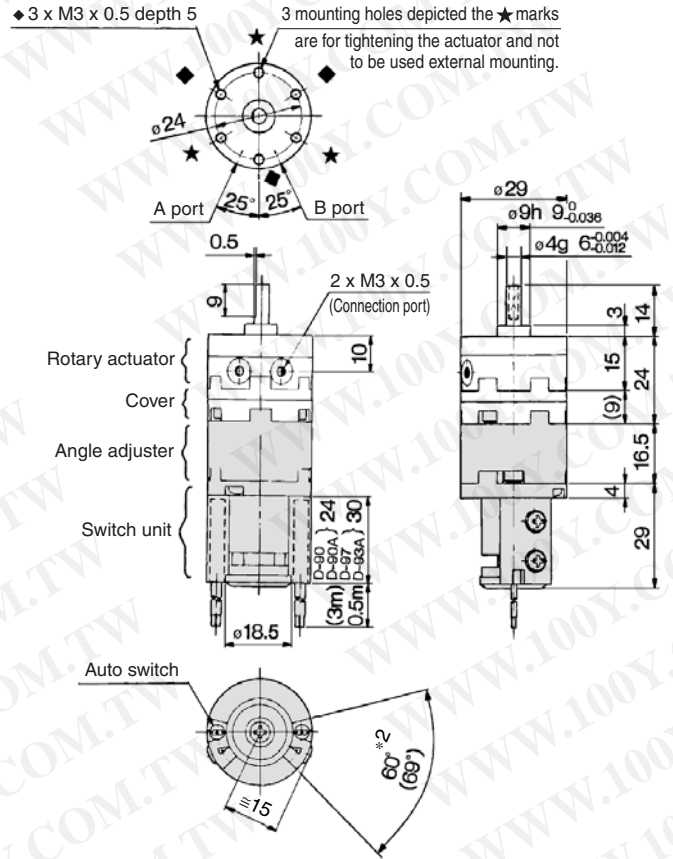


- \* 1. The length is 24 when any of the following auto switches are used: D-90/90A/S99(V)/T99(V)/S9P(V).  
The length is 30 when any of the following auto switches are used: D-97/93A.
- \* 2. The angle is 60° when any of the following auto switches are used: D-90/90A/97/93A.  
The angle is 69° when any of the following auto switches are used: D-S99(V)/T99(V)/S9P(V).

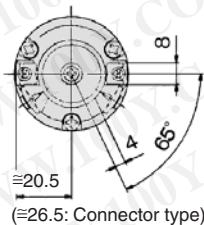
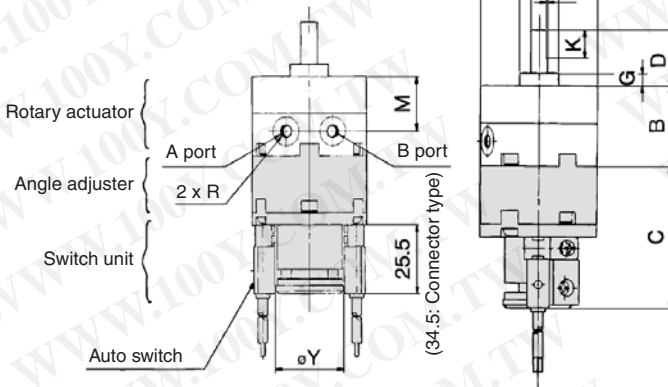
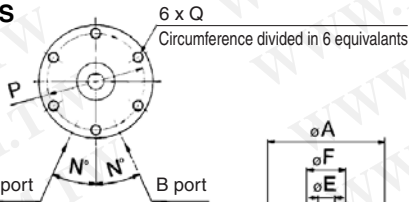


### Double vane type CDRB2BWU10-□D

• Following figures show the intermediate rotation position when A or B port is pressurized.



### Single vane type CDRB2BWU20/30-□S



### Double vane type CDRB2BWU15/20/30-□D

Dimensions for double vane type sizes 15, 20, and 30 are the same as those of single type.

Model	A	B	C	D	E (g6)	F (h9)	G	K	L	M
CDRB2BWU10-□S	29	15	45.5	14	4	9	3	9	0.5	10
CDRB2BWU15-□S	34	20	47	18	5	12	4	10	0.5	15
CDRB2BWU15-□D										
CDRB2BWU20-□S	42	29	51	20	6	14	4.5	10	0.5	20
CDRB2BWU20-□D										
CDRB2BWU30-□S	50	40	55.5	22	8	16	5	12	1	30
CDRB2BWU30-□D										

Model	N	P	Y	Q	R			
					90°	100°	180°	270°
CDRB2BWU10-□S	25	24	18.5	M3 x 0.5 depth 6	M5 x 0.8	—	M5 x 0.8	M3 x 0.5
CDRB2BWU10-□D					* Refer to the drawing.			
CDRB2BWU15-□S	25	29	18.5	M3 x 0.5 depth 5	M5 x 0.8	—	M5 x 0.8	M3 x 0.5
CDRB2BWU15-□D					M3 x 0.5	—	—	—
CDRB2BWU20-□S	25	36	25	M4 x 0.7 depth 7	M5 x 0.8	—	M5 x 0.8	—
CDRB2BWU20-□D					M5 x 0.8	—	—	—
CDRB2BWU30-□S	25	43	25	M5 x 0.8 depth 10	M5 x 0.8	—	M5 x 0.8	—
CDRB2BWU30-□D					M5 x 0.8	—	—	—

Note) • For rotary actuators with angle adjuster and auto switch unit, connection ports are side ports only.  
• The above exterior view drawings illustrate the rotary actuator equipped with one right-hand and one left-hand switch.

- CRB2
- CRBU2
- CRB1
- MSU
- CRJ
- CRA1
- CRQ2
- MSQ
- MSZ
- CRQ2X
- MSQX
- MRQ

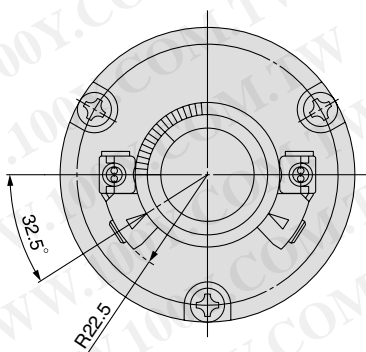
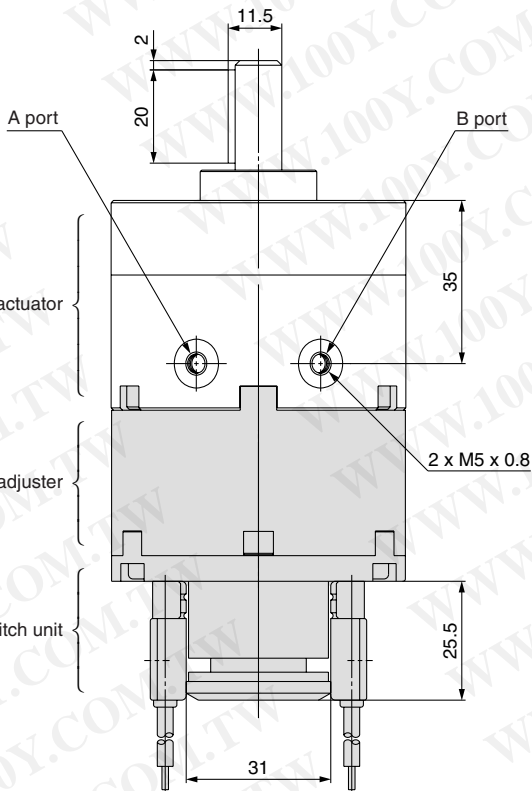
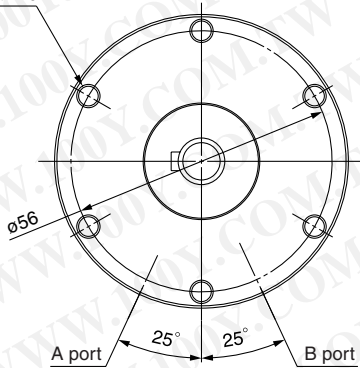
D-□

# Series CRB2BWU

## Dimensions: 40 (With angle adjuster and auto switch unit)

### Single vane type/Double vane type CDRB2BWU40-□S/D

6 x M5 x 0.8 depth 10



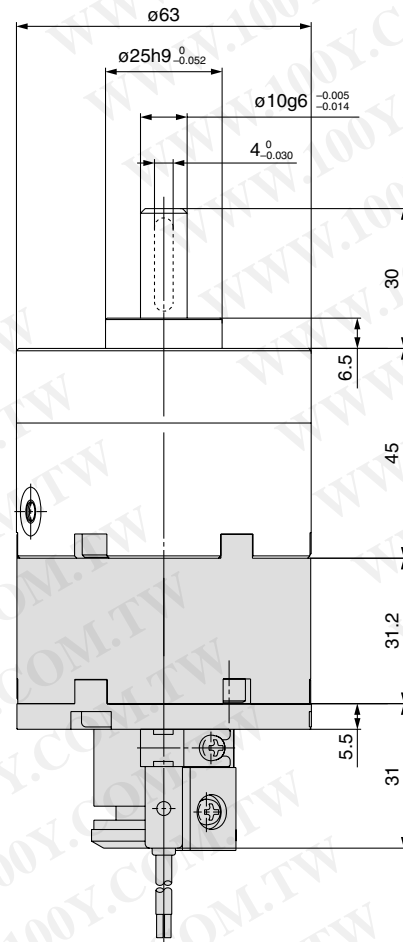
#### ● For single vane type:

Figures show actuators for 90° and 180° when the B port is pressurized.

#### ● For double vane type:

Figures show the intermediate rotation position when the A or B port is pressurized.

Model	Keyway dimensions		
	b (h9)	h (h9)	ℓ
CDRB2BWU40-□□□	4 <sup>0</sup> <sub>-0.030</sub>	4 <sup>0</sup> <sub>-0.030</sub>	20





# Series CRB2 (Size: 10, 15, 20, 30, 40)

## Simple Specials:

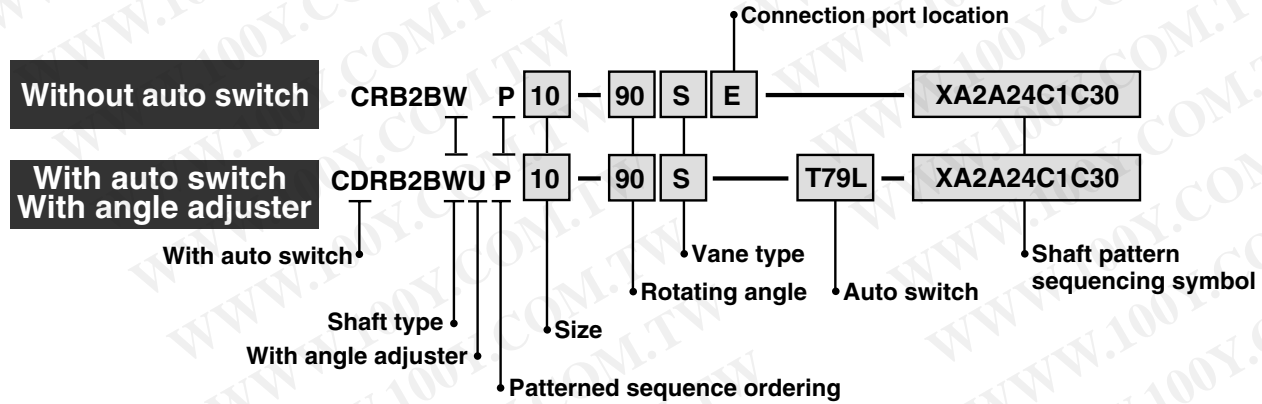
### -XA1 to -XA24: Shaft Pattern Sequencing I

Shaft shape pattern is dealt with simple made-to-order system. (Refer to front matter 33). Please contact SMC for a specification sheet when placing an order.

#### Shaft Pattern Sequencing I

**-XA1 to XA24**

Applicable shaft type: W (Standard)



#### Shaft Pattern Sequencing Symbol

##### ● Axial: Top (Long shaft side)

Symbol	Description	Applicable size				
		10	15	20	30	40
XA 1	Shaft-end female thread	●	●	●	●	●
XA 3	Shaft-end male thread	●	●	●	●	●
XA 5	Stepped round shaft	●	●	●	●	●
XA 7	Stepped round shaft with male thread	●	●	●	●	●
XA 9	Modified length of standard chamfer	●	●	●	●	●
XA11	Two-sided chamfer	●	●	●	●	●
XA14*	Shaft through-hole + Shaft-end female thread	●	●	●	●	●
XA17	Shortened shaft	●	●	●	●	●
XA21	Stepped round shaft with double-sided chamfer	●	●	●	●	●
XA23	Right-angle chamfer	●	●	●	●	●
XA24	Double key					●

\* These specifications are not available for rotary actuators with auto switch unit and angle adjuster.

##### ● Axial: Bottom (Short shaft side)

Symbol	Description	Applicable size				
		10	15	20	30	40
XA 2*	Shaft-end female thread	●	●	●	●	●
XA 4*	Shaft-end male thread	●	●	●	●	●
XA 6*	Stepped round shaft	●	●	●	●	●
XA 8*	Stepped round shaft with male thread	●	●	●	●	●
XA10*	Modified length of standard chamfer	●	●	●	●	●
XA12*	Two-sided chamfer	●	●	●	●	●
XA15*	Shaft through-hole + Shaft-end female thread	●	●	●	●	●
XA18*	Shortened shaft	●	●	●	●	●
XA22*	Stepped round shaft with double-sided chamfer	●	●	●	●	●

##### ● Double Shaft

Symbol	Description	Applicable size				
		10	15	20	30	40
XA13*	Shaft through-hole	●	●	●	●	●
XA16*	Shaft through-hole + Double shaft-end female thread	●	●	●	●	●
XA19*	Shortened shaft	●	●	●	●	●
XA20*	Reversed shaft	●	●	●	●	●

CRB2

CRBU2

CRB1

MSU

CRJ

CRA1

CRQ2

MSQ

MSZ

CRQ2X

MSQX

MRQ

D-□

# Series CRB2

## Combination

### XA□ Combination

Symbol	Combination																								
XA 1	XA1																								
XA 2	●	XA2																							
XA 3	—	●	XA3																						
XA 4	●	—	●	XA4																					
XA 5	—	●	—	●	XA5																				
XA 6	●	—	●	—	●	XA6																			
XA 7	—	●	—	●	—	●	XA7																		
XA 8	●	—	●	—	●	—	●	XA8																	
XA 9	—	●	—	●	—	●	—	●	XA9																
XA10	●	—	●	—	●	—	●	—	●	XA10															
XA11	—	●	—	●	—	●	—	●	—	●	XA11														
XA12	●	—	●	—	●	—	●	—	●	—	●	XA12													
XA13	—	●	—	●	—	●	—	●	—	●	—	●	XA13												
XA14	—	—	—	—	—	—	—	—	—	—	—	—	—	●	—										
XA15	—	—	—	—	—	—	—	—	—	—	—	—	—	●	—										
XA16	—	—	—	—	—	—	—	—	—	—	—	—	—	—	—	—	—	—	—	—	—	—	—	—	
XA17	—	●	—	●	—	●	—	●	—	●	—	●	—	●	—	●	—	●	—	●	—	●	—	●	
XA18	●	—	●	—	●	—	●	—	●	—	●	—	●	—	●	—	●	—	●	—	●	—	●	—	
XA19	—	—	—	—	—	—	—	—	—	—	—	—	—	—	—	—	—	—	—	—	—	—	—	—	
XA20	—	—	—	—	—	—	—	—	—	—	—	—	—	—	—	—	—	—	—	—	—	—	—	—	
XA21	—	●	—	●	—	●	—	●	—	●	—	●	—	●	—	●	—	●	—	●	—	●	—	●	
XA22	●	—	●	—	●	—	●	—	●	—	●	—	●	—	●	—	●	—	●	—	●	—	●	—	
XA23	—	●	—	●	—	●	—	●	—	●	—	●	—	●	—	●	—	●	—	●	—	●	—	●	
XA24	—	●	—	●	—	●	—	●	—	●	—	●	—	●	—	●	—	●	—	●	—	●	—	●	

A combination of up to two XA□s are available.  
Example: -XA2A24

### XA□, XC□ Combination

Combination other than -XA□, such as Made to Order (-XC□), is also available.  
Refer to pages 79 to 80 for details of made-to-order specifications.

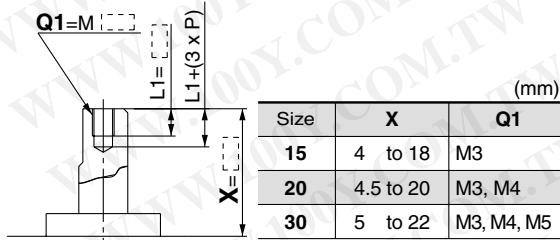
Symbol	Description	Applicable size	Combination
			XA1 to XA24
XC 1 *	Add connection port location	10, 15, 20, 30, 40	●
XC 2 *	Change threaded hole to through-hole	15, 20, 30, 40	●
XC 3 *	Change the screw position	10, 15, 20, 30, 40	●
XC 4	Change rotation range		●
XC 5 *	Change rotation range between 0 to 200°		●
XC 6 *	Change rotation range between 0 to 110°		●
XC 7 *	Reversed shaft		—
XC30	Fluorine grease		●

\* These specifications are not available for rotary actuators with auto switch unit and angle adjuster.  
A total of four XA□ and XC□ combinations is available.  
Example: -XA2A24C1C30  
-XA2C1C4C30

## Axial: Top (Long shaft side)

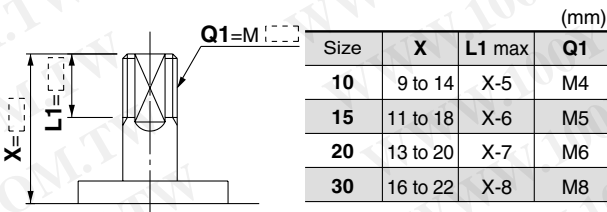
**Symbol: A1** The long shaft can be further shortened by machining female threads into it.

- (If shortening the shaft is not required, indicate "\*" for dimension X.)
- Not available for size 10.
  - The maximum dimension L1 is, as a rule, twice the thread size. (Example) For M3: L1 = 6 mm
  - Applicable shaft type: W



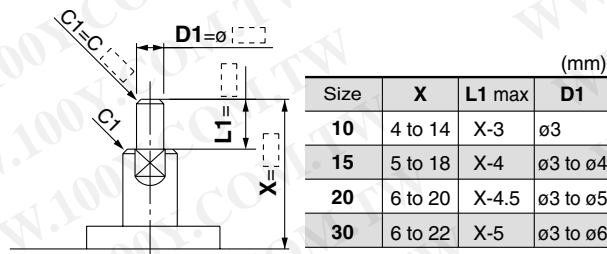
**Symbol: A3** The long shaft can be further shortened by machining male threads into it.

- (If shortening the shaft is not required, indicate "\*" for dimension X.)
- Applicable shaft type: W



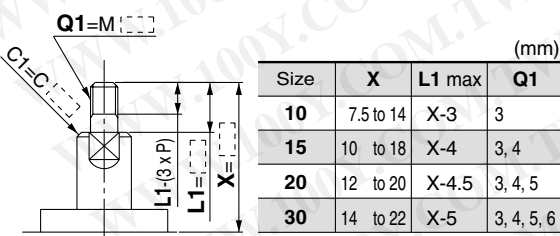
**Symbol: A5** The long shaft can be further shortened by machining it into a stepped round shaft.

- (If shortening the shaft is not required, indicate "\*" for dimension X.)
- Applicable shaft type: W
  - Equal dimensions are indicated by the same marker. (If not specifying dimension C1, indicate "\*" instead.)



**Symbol: A7** The long shaft can be further shortened by machining it into a stepped round shaft with male threads.

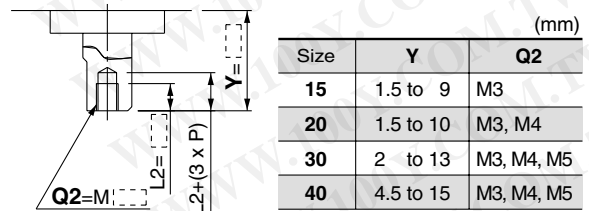
- (If shortening the shaft is not required, indicate "\*" for dimension X.)
- Applicable shaft type: W
  - Equal dimensions are indicated by the same marker. (If not specifying dimension C1, indicate "\*" instead.)



## Axial: Bottom (Short shaft side)

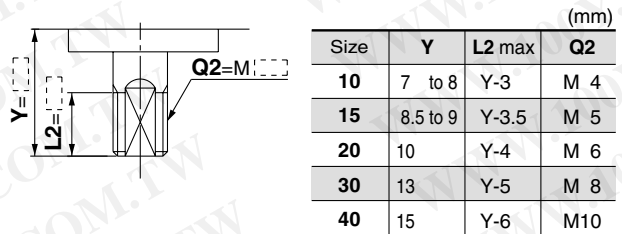
**Symbol: A2** The short shaft can be further shortened by machining female threads into it.

- (If shortening the shaft is not required, indicate "\*" for dimension Y.)
- Not available for size 10.
  - The maximum dimension L2 is, as a rule, twice the thread size. (Example) For M3: L2 = 6 mm
  - Applicable shaft type: W



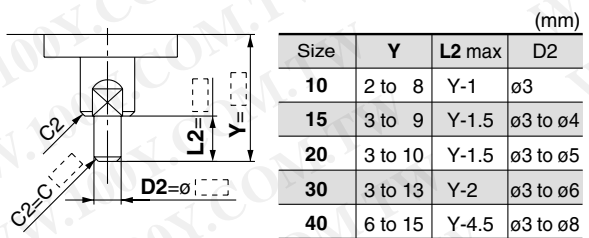
**Symbol: A4** The short shaft can be further shortened by machining male threads into it.

- (If shortening the shaft is not required, indicate "\*" for dimension Y.)
- Applicable shaft type: W



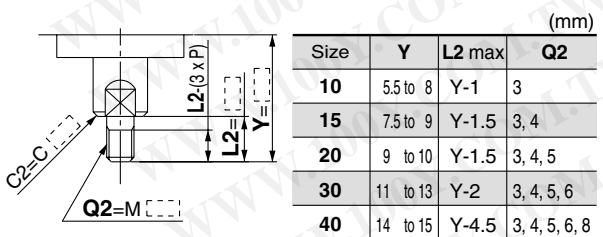
**Symbol: A6** The short shaft can be further shortened by machining it into a stepped round shaft.

- (If shortening the shaft is not required, indicate "\*" for dimension Y.)
- Applicable shaft type: W
  - Equal dimensions are indicated by the same marker. (If not specifying dimension C2, indicate "\*" instead.)



**Symbol: A8** The short shaft can be further shortened by machining it into a stepped round shaft with male threads.

- (If shortening the shaft is not required, indicate "\*" for dimension Y.)
- Applicable shaft type: W
  - Equal dimensions are indicated by the same marker. (If not specifying dimension C2, indicate "\*" instead.)



**CRB2**

**CRBU2**

**CRB1**

**MSU**

**CRJ**

**CRA1**

**CRQ2**

**MSQ**

**MSZ**

**CRQ2X**

**MSQX**

**MRQ**

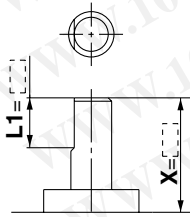
**D-□**

# Series CRB2

## Axial: Top (Long shaft side)

**Symbol: A9** The long shaft can be further shortened by changing the length of the standard chamfer on the long shaft side.

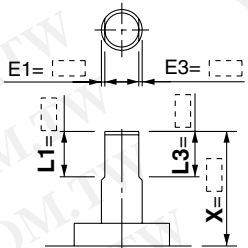
(If shortening the shaft is not required, indicate "\*" for dimension X.)  
 • Applicable shaft type: W



Size	X	L1
10	5 to 14	9-(14-X) to (X-3)
15	8 to 18	10-(18-X) to (X-4)
20	10 to 20	10-(20-X) to (X-4.5)
30	10 to 22	12-(22-X) to (X-5)

**Symbol: A11** The long shaft can be further shortened by machining a double-sided chamfer on it.

(If altering the standard chamfer and shortening the shaft are not required, indicate "\*" for both the L1 and X dimensions.)  
 • Since L1 is a standard chamfer, dimension E1 is 0.5 mm or more, and 1 mm or more with a shaft bore size of  $\phi 30$ .  
 • Applicable shaft type: W

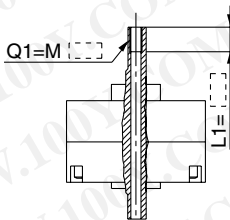


Size	X	L1	L3 max
10	5 to 14	9-(14-X) to (X-3)	X-3
15	8 to 18	10-(18-X) to (X-4)	X-4
20	10 to 20	10-(20-X) to (X-4.5)	X-4.5
30	10 to 22	12-(22-X) to (X-5)	X-5

**Symbol: A14** Applicable to single vane type only

A special end is machined onto the long shaft, and a through-hole is drilled into it. Female threads are machined into the through-hole, whose diameter is equivalent to the pilot hole diameter.

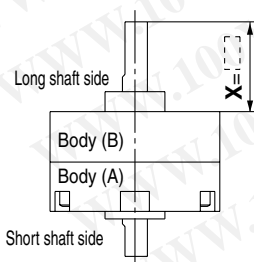
- Not available for size 10.
- The maximum dimension L1 is, as a rule, twice the thread size. (Example) For M3: L1 max. = 6 mm
- A parallel key is used on the long shaft for size 40.
- Applicable shaft type: W



Thread	Size	15	20	30	40
M3 x 0.5	$\phi 2.5$	$\phi 2.5$	$\phi 2.5$	$\phi 2.5$	$\phi 2.5$
M4 x 0.7	—	$\phi 3.3$	$\phi 3.3$	—	—
M5 x 0.8	—	—	$\phi 4.2$	—	—

**Symbol: A17** Shorten the long shaft.

- Applicable shaft type: W

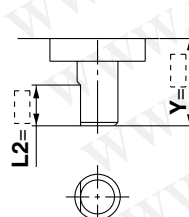


Size	X
10	3 to 14
15	4 to 18
20	4.5 to 20
30	5 to 22
40	18 to 33

## Axial: Bottom (Short shaft side)

**Symbol: A10** The short shaft can be further shortened by changing the length of the standard chamfer.

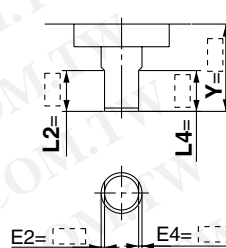
(If shortening the shaft is not required, indicate "\*" for dimension Y.)  
 • Applicable shaft type: W



Size	Y	L2
10	3 to 8	5-(8-Y) to (Y-1)
15	3 to 9	6-(9-Y) to (Y-1.5)
20	3 to 10	7-(10-Y) to (Y-1.5)
30	5 to 13	8-(13-Y) to (Y-2)
40	7 to 15	9-(15-Y) to (Y-2)

**Symbol: A12** The short shaft can be further shortened by machining a double-sided chamfer on it.

(If altering the standard chamfer and shortening the shaft are not required, indicate "\*" for both the L2 and Y dimensions.)  
 • Since L2 is a standard chamfer, dimension E2 is 0.5 mm or more, and 1 mm or more with shaft bore sizes of  $\phi 30$  or  $\phi 40$ .  
 • Applicable shaft type: W

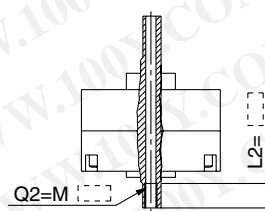


Size	Y	L2	L4 max
10	3 to 8	5-(8-Y) to (Y-1)	Y-1
15	3 to 9	6-(9-Y) to (Y-1.5)	Y-1.5
20	3 to 10	7-(10-Y) to (Y-1.5)	Y-1.5
30	5 to 13	8-(13-Y) to (Y-2)	Y-2
40	7 to 15	9-(15-Y) to (Y-2)	Y-2

**Symbol: A15** Applicable to single vane type only

A special end is machined onto the short shaft, and a through-hole is drilled into it. Female threads are machined into the through-hole, whose diameter is equivalent to the pilot hole diameter.

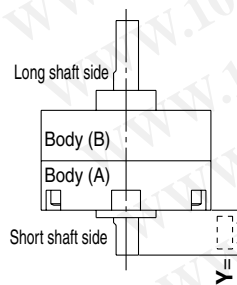
- A parallel key is used on the long shaft for size 40.
- Not available for size 10.
- The maximum dimension L2 is, as a rule, twice the thread size. (Example) For M4: L2 max. = 8 mm
- Applicable shaft type: W



Thread	Size	15	20	30	40
M3 x 0.5	$\phi 2.5$	$\phi 2.5$	$\phi 2.5$	$\phi 2.5$	$\phi 2.5$
M4 x 0.7	—	$\phi 3.3$	$\phi 3.3$	—	—
M5 x 0.8	—	—	$\phi 4.2$	—	—

**Symbol: A18** Shorten the short shaft.

- A parallel key is used on the long shaft for size 40.
- Applicable shaft type: W



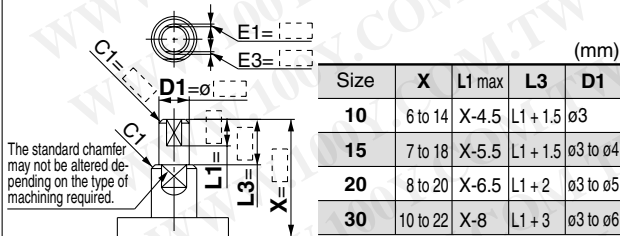
Size	Y
10	1 to 8
15	1.5 to 9
20	1.5 to 10
30	2 to 13
40	4.5 to 15

## Axial: Top (Long shaft side)

**Symbol: A21** The long shaft can be further shortened by machining it into a stepped round shaft with a double-sided chamfer.

(If shortening the shaft is not required, indicate "\*" for dimension X.)

- Applicable shaft type: W
- Equal dimensions are indicated by the same marker.
- (If not specifying dimension C1, indicate "\*" instead.)

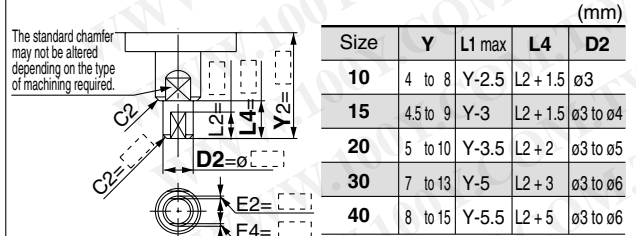


## Axial: Bottom (Short shaft side)

**Symbol: A22** The short shaft can be further shortened by machining it into a stepped round shaft with a double-sided chamfer.

(If shortening the shaft is not required, indicate "\*" for dimension Y.)

- Applicable shaft type: W
- Equal dimensions are indicated by the same marker.
- (If not specifying dimension C2, indicate "\*" instead.)

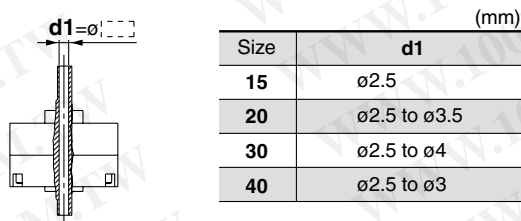


## Double Shaft

**Symbol: A13** Applicable to single vane type only

Shaft with through-hole

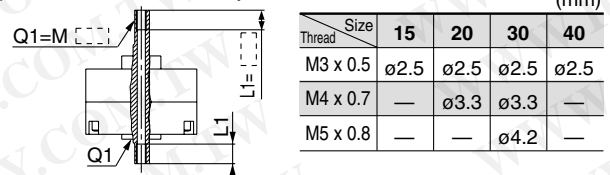
- Not available for size 10.
- Minimum machining diameter for d1 is 0.1 mm.
- A parallel key is used on the long shaft for size 40.
- Applicable shaft type: W



**Symbol: A16** Applicable to single vane type only

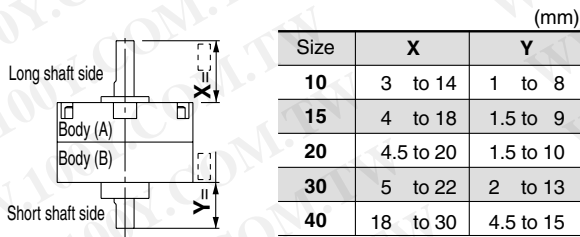
A special end is machined onto both the long and short shafts, and a through-hole is drilled into both shafts. Female threads are machined into the through-holes, whose diameter is equivalent to the diameter of the pilot holes.

- Not available for size 10.
- The maximum dimension L1 is, as a rule, twice the thread size.
- (Example) For M5: L1 max. = 10 mm
- A parallel key is used on the long shaft for size 40.
- Applicable shaft type: W
- Equal dimensions are indicated by the same marker.



**Symbol: A19** Both the long shaft and short shaft are shortened.

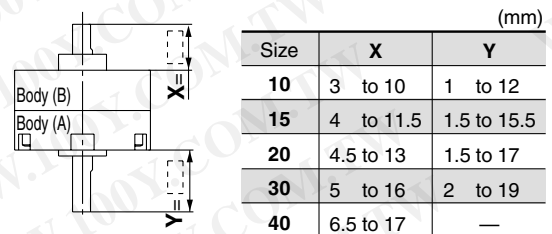
- A parallel key is used on the long shaft for size 40.
- Applicable shaft type: W



**Symbol: A20** The rotation axis is reversed.

(The long shaft and short shaft are shortened.)

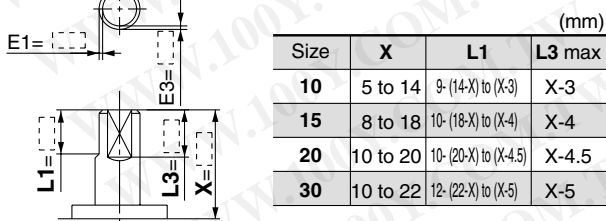
- A parallel key is used on the long shaft for size 40.
- Applicable shaft type: W



**Symbol: A23** The long shaft can be further shortened by machining right-angle double-sided chamfer onto it.

(If altering the standard chamfer and shortening the shaft are not required, indicate "\*" for both the L1 and X dimensions.)

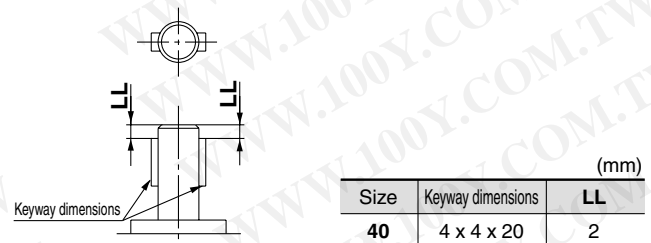
- Since L1 is a standard chamfer, dimension E1 is 0.5 mm or more, and 1 mm or more with a shaft bore sizes of ø30 or ø40.
- Applicable shaft type: W



**Symbol: A24** Double key

Keys and keyways are machined at 180° from the standard position.

- Applicable shaft type: W
- Equal dimensions are indicated by the same marker.



CRB2

CRBU2

CRB1

MSU

CRJ

CRA1

CRQ2

MSQ

MSZ

CRQ2X

MSQX

MRQ

D-□

# Series CRB2 (Size: 10, 15, 20, 30, 40)

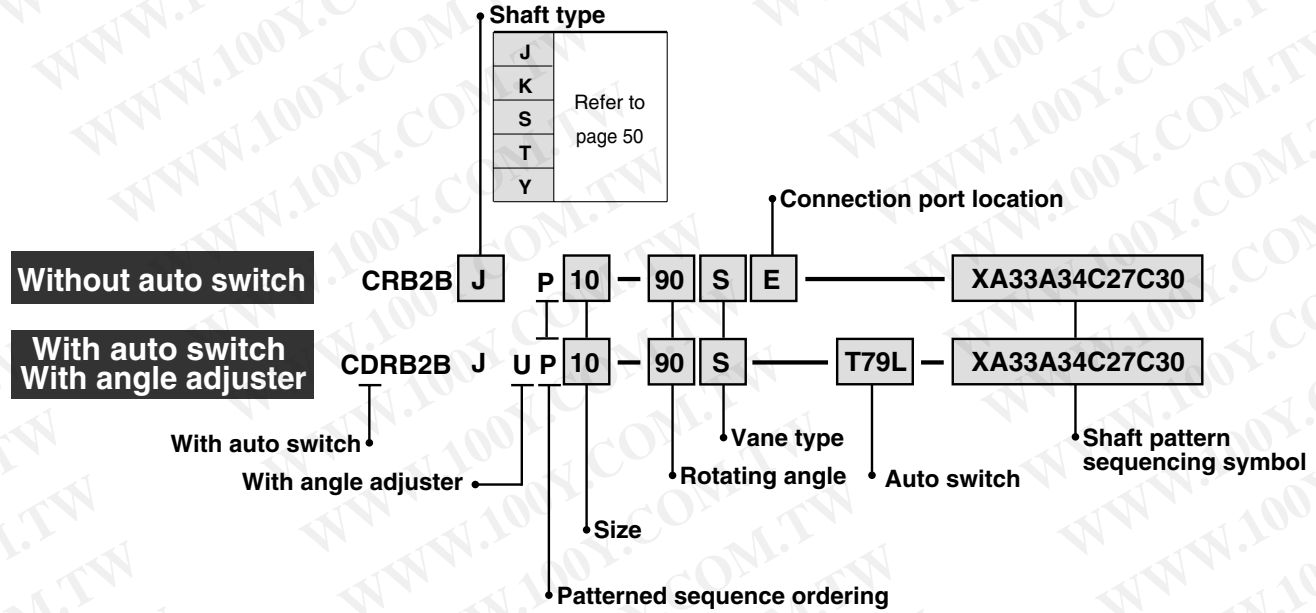
## Simple Specials:

### -XA31 to -XA58: Shaft Pattern Sequencing II

Shaft shape pattern is dealt with simple made-to-order system. (Refer to front matter 33). Please contact SMC for a specification sheet when placing an order.

#### Shaft Pattern Sequencing II -XA31 to XA58

Applicable shaft type: J, K, S, T, Y



### Shaft Pattern Sequencing Symbol

#### ● Axial: Top (Long shaft side)

Symbol	Description	Shaft type	Applicable size				
			10	15	20	30	40
XA31	Shaft-end female thread	S, Y	●	●	●		
XA33	Shaft-end female thread	J, K, T		●	●	●	●
XA37	Stepped round shaft	J, K, T	●	●	●	●	●
XA45	Middle-cut chamfer	J, K, T	●	●	●	●	●
XA47	Machined keyway	J, K, T			●	●	
XA48	Change of long shaft length	S, Y	●	●	●	●	●
XA51	Change of long shaft length	J, K, T	●	●	●	●	●

#### ● Axial: Bottom (Short shaft side)

Symbol	Description	Shaft type	Applicable size				
			10	15	20	30	40
XA32	Shaft-end female thread	S, Y		●	●	●	
XA34	Shaft-end female thread	J, K, T		●	●	●	●
XA38	Stepped round shaft	K	●	●	●	●	●
XA46	Middle-cut chamfer	K	●	●	●	●	●
XA49	Change of short shaft length	Y	●	●	●	●	●
XA52	Change of short shaft length	K	●	●	●	●	●
XA55	Change of short shaft length	J	●	●	●	●	●

#### ● Double Shaft

Symbol	Description	Shaft type	Applicable size				
			10	15	20	30	40
XA39*	Shaft through-hole	S, Y		●	●	●	●
XA40*	Shaft through-hole	K, T		●	●	●	●
XA41*	Shaft through-hole	J		●	●	●	●
XA42*	Shaft through-hole + Shaft-end female thread	S, Y		●	●	●	●
XA43*	Shaft through-hole + Shaft-end female thread	K, T		●	●	●	●
XA44*	Shaft through-hole + Shaft-end female thread	J		●	●	●	●
XA50*	Change of double shaft length	Y	●	●	●	●	●
XA53*	Change of double shaft length	K	●	●	●	●	●
XA57*	Change of double shaft length	J	●	●	●	●	●
XA58*	Reversed shaft, Change of double shaft length	J	●	●	●	●	●

\* These specifications are not available for rotary actuators with auto switch unit and angle adjuster.

## Combination

### XA□ Combination

Symbol	Description	Axial direction		Applicable shaft type					Combination														
		Up	Down	J	K	S	T	Y															
XA31	Shaft-end female thread	●				●		●	XA31	* Corresponding shafts type available for combination.													
XA32	Shaft-end female thread		●			●		●	XA32														
XA33	Shaft-end female thread	●		●	●	●			XA33														
XA34	Shaft-end female thread	●	●	●	●	●			XA34														
XA37	Stepped round shaft	●	●	●	●	●			XA37														
XA38	Stepped round shaft		●	●					K*	K*	XA38												
XA39	Shaft through-hole	●	●			●		●			XA39												
XA40	Shaft through-hole	●	●			●		●			XA40												
XA41	Shaft through-hole	●	●	●							XA41												
XA42	Shaft through-hole + Shaft-end female thread	●	●			●		●			XA42												
XA43	Shaft through-hole + Shaft-end female thread	●	●			●		●			XA43												
XA44	Shaft through-hole + Shaft-end female thread	●	●	●							XA44												
XA45	Middle-cut chamfer	●		●	●	●					XA45												
XA46	Middle-cut chamfer		●	●	●						XA46												
XA47	Machined keyway	●	●	●	●	●					XA47												
XA48	Change of long shaft length	●				●		●			XA48												
XA49	Change of short shaft length		●					●	Y*		Y*	XA49											
XA50	Change of double shaft length	●	●					●			Y*	Y*	XA50										
XA51	Change of long shaft length	●		●	●	●				K*, T*	J*	K*, T*	J*	●	K*	●	XA51						
XA52	Change of short shaft length		●	●						K*		K*		K*	K*	K*	K*	K*	XA52				
XA53	Change of double shaft length	●	●									K*		K*	K*	K*		K*	XA53				
XA55	Change of short shaft length	●	●							J*	J*	J*	J*	J*	J*		J*		XA55				
XA57	Change of double shaft length	●	●						J*		J*	J*	J*	J*			J*		XA57				
XA58	Reversed shaft, Change of double shaft length	●	●							J*		J*	J*	J*			J*		J*	J*			

A combination of up to two XA□s are available.  
Example: XA31A32

### XA□, XC□ Combination

Combination other than XA□, such as Made to Order (XC□), is also available.  
Refer to pages 79 to 80 for details of made-to-order specifications.

Symbol	Description	Applicable size	Combination XA31 to XA58
XC 1*	Add connection port location	10, 15, 20, 30, 40	●
XC 2*	Change threaded hole to through-hole	15, 20, 30, 40	●
XC 3*	Change the screw position	10, 15, 20, 30, 40	●
XC 4	Change rotation range		●
XC 5*	Change rotation range between 0 to 200°		●
XC 6*	Change rotation range between 0 to 110°		●
XC 7*	Reversed shaft		—
XC30	Fluorine grease		●

\* These specifications are not available for rotary actuators with auto switch unit and angle adjuster.  
A total of four XA□ and XC□ combinations is available.  
Example: XA33A34C5C30

CRB2

CRBU2

CRB1

MSU

CRJ

CRA1

CRQ2

MSQ

MSZ

CRQ2X  
MSQX

MRQ

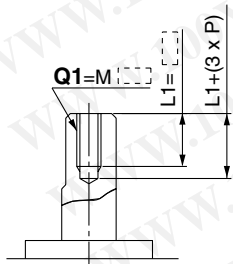
D-□

# Series CRB2

## Axial: Top (Long shaft side)

**Symbol: A31** Machine female threads into the long shaft.

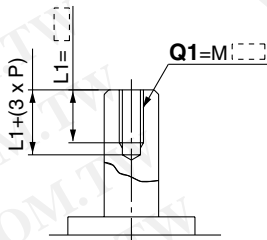
- The maximum dimension L1 is, as a rule, twice the thread size. (Example) For M3: L1 = 6 mm
- Applicable shaft types: S, Y



Size	Q1 (mm)	
	S	Y
10	Not available	
15	M3	
20	M3, M4	
30	M3, M4, M5	

**Symbol: A33** Machine female threads into the long shaft.

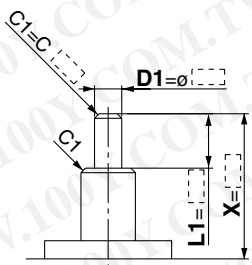
- The maximum dimension L1 is, as a rule, twice the thread size. (Example) For M3: L1 = 6 mm
- Applicable shaft types: J, K, T



Size	Q1 (mm)		
	J	K	T
10	Not available		
15	M3		
20	M3, M4		
30	M3, M4, M5		
40	M3, M4, M5		

**Symbol: A37** The long shaft can be further shortened by machining it into a stepped round shaft.

- (If shortening the shaft is not required, indicate "\*" for dimension X.)
- Applicable shaft types: J, K, T
  - Equal dimensions are indicated by the same marker. (If not specifying dimension C1, indicate "\*" instead.)



Size	X (mm)	L1 max (mm)	D1 (mm)	
			Ø	max
10	4 to 14	X-3	ø3	to ø3.9
15	5 to 18	X-4	ø3	to ø4.9
20	6 to 20	X-4.5	ø3	to ø5.9
30	6 to 22	X-5	ø3	to ø7.9
40	8 to 30	X-6.5	ø3	to ø9.9

**Symbol: A45** The long shaft can be further shortened by machining a middle-cut chamfer into it. (The position of the chamfer is same as the standard one.)

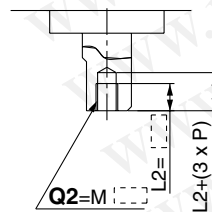
- (If shortening the shaft is not required, indicate "\*" for dimension X.)
- Applicable shaft types: J, K, T

Size	L1 max (mm)											
	X			W1			L3 max			L4 max		
	J	K	T	J	K	T	J	K	T	J	K	T
10	6.5 to 14			0.5 to 2			X-3			L1-1		
15	8 to 18			0.5 to 2.5			X-4			L1-1		
20	9 to 20			0.5 to 3			X-4.5			L1-1		
30	11.5 to 22			0.5 to 4			X-5			L1-2		
40	15.5 to 30			0.5 to 5			X-5.5			L1-2		

## Axial: Bottom (Short shaft side)

**Symbol: A32** Machine female threads into the short shaft.

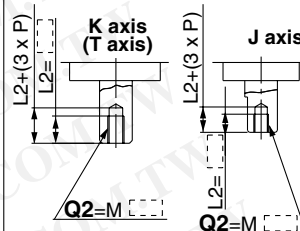
- The maximum dimension L2 is, as a rule, twice the thread size. (Example) For M4: L2 = 8 mm
- However, for M5 with S shaft, the maximum dimension L2 is 1.5 times the thread size.
- Applicable shaft types: S, Y



Size	Q2 (mm)	
	S	Y
10	Not available	
15	M3	
20	M3, M4	
30	M3, M4, M5	

**Symbol: A34** Machine female threads into the short shaft.

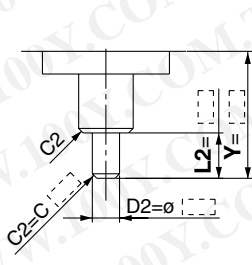
- The maximum dimension L2 is, as a rule, twice the thread size. (Example) For M3: L2 = 6 mm
- However, for M5 with T shaft, the maximum dimension L2 is 1.5 times the thread size.
- Applicable shaft types: J, K, T



Size	Q2 (mm)		
	J	K	T
10	Not available		
15	M3		
20	M3, M4		
30	M3, M4, M5		
40	M3, M4, M5		

**Symbol: A38** The short shaft can be further shortened by machining it into a stepped round shaft.

- (If shortening the shaft is not required, indicate "\*" for dimension Y.)
- Applicable shaft type: K
  - Equal dimensions are indicated by the same marker. (If not specifying dimension C2, indicate "\*" instead.)



Size	Y (mm)	L2 max (mm)	D2 (mm)	
			Ø	max
10	2 to 14	Y-1	ø3	to ø3.9
15	3 to 18	Y-1.5	ø3	to ø4.9
20	3 to 20	Y-1.5	ø3	to ø5.9
30	3 to 22	Y-2	ø3	to ø7.9
40	6 to 30	Y-4.5	ø5	to ø9.9

**Symbol: A46** The short shaft can be further shortened by machining a middle-cut chamfer into it. (The position of the chamfer is same as the standard one.)

- (If shortening the shaft is not required, indicate "\*" for dimension Y.)
- Applicable shaft type: K

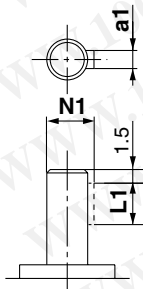
Size	L2 max (mm)				
	Y		W2		L4 max
	J	K	J	K	J
10	4.5 to 14		0.5 to 2		Y-1
15	5.5 to 18		0.5 to 2.5		Y-1.5
20	6 to 20		0.5 to 3		Y-1.5
30	8.5 to 22		0.5 to 4		Y-2
40	13.5 to 30		0.5 to 5		Y-4.5



**Axial: Top (Long shaft side)**

Symbol: **A47** Machine a keyway into the long shaft. (The position of the keyway is the same as the standard one.) The key must be ordered separately.

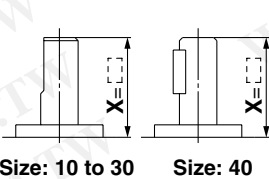
- Applicable shaft types: J, K, T



Size	a1	L1	N1
20	2h9 <sub>0.025</sub> <sup>0</sup>	10	6.8
30	3h9 <sub>0.025</sub> <sup>0</sup>	14	9.2

Symbol: **A48** Shorten the long shaft.

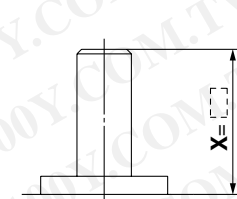
- Applicable shaft types: S, Y



Size	X
10	3 to 14
15	4 to 18
20	4.5 to 20
30	5 to 22
40	18 to 30

Symbol: **A51** Shorten the long shaft.

- Applicable shaft types: J, K, T

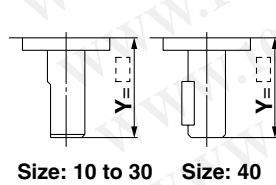


Size	X
10	3 to 14
15	4 to 18
20	4.5 to 20
30	5 to 22
40	6.5 to 30

**Axial: Bottom (Short shaft side)**

Symbol: **A49** Shorten the short shaft.

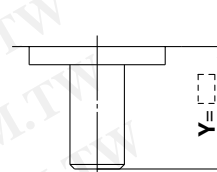
- Applicable shaft type: Y



Size	Y
10	1 to 14
15	1.5 to 18
20	1.5 to 20
30	2 to 22
40	18 to 30

Symbol: **A52** Shorten the short shaft.

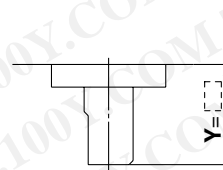
- Applicable shaft type: K



Size	Y
10	1 to 14
15	1.5 to 18
20	1.5 to 20
30	2 to 22
40	4.5 to 30

Symbol: **A55** Shorten the short shaft.

- Applicable shaft type: J

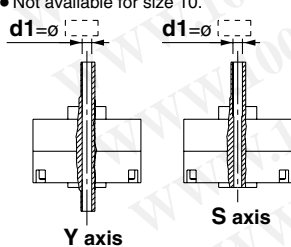


Size	Y
10	1 to 8
15	1.5 to 9
20	1.5 to 10
30	2 to 13
40	4.5 to 15

**Double Shaft**

Symbol: **A39** Applicable to single vane type only

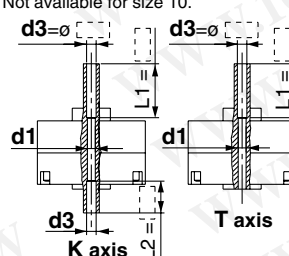
- Shaft with through-hole (Additional machining of S, Y shaft)
- Applicable shaft types: S, Y
- Equal dimensions are indicated by the same marker.
- Not available for size 10.
- A parallel key is used on the long shaft for size 40.
- Minimum machining diameter for d1 is 0.1 mm.



Size	Shaft type	
	S	Y
15	d1	
20	ø2.5	
30	ø2.5 to ø3.5	
40	ø2.5 to ø4	
40	ø2.5 to ø3	

Symbol: **A40** Applicable to single vane type only

- Shaft with through-hole (Additional machining of K, T shaft)
- Applicable shaft types: K, T
- Equal dimensions are indicated by the same marker.
- Not available for size 10.
- d1 = ø2.5, L1 = 18 (max.) for size 15 ; minimum machining diameter for d1 is 0.1 mm.
- d1 = d3 for sizes 20 to 40.



Size	Shaft type	
	K	T
15	d1	d3
20	ø2.5 to ø3	
30	ø2.5 to ø4	
40	ø2.5 to ø4.5	
40	ø2.5 to ø5	

CRB2

CRBU2

CRB1

MSU

CRJ

CRA1

CRQ2

MSQ

MSZ

CRQ2X  
MSQX

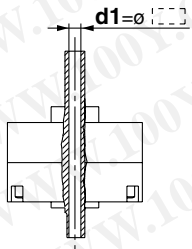
MRQ

# Series CRB2

**Symbol: A41** Applicable to single vane type only

Shaft with through-hole

- Not available for size 10.
- Applicable shaft type: J
- Equal dimensions are indicated by the same marker.

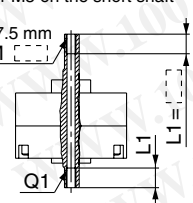


Size	d1 (mm)
15	ø2.5
20	ø2.5 to ø3.5
30	ø2.5 to ø4
40	ø2.5 to ø4.5

**Symbol: A42** Applicable to single vane type only

A special end is machined onto both the long and short shafts, and a through-hole is drilled into both shafts. Female threads are machined into the through-holes, whose diameter is equivalent to the diameter of the pilot holes.

- Not available for size 10.
- The maximum dimension L1 is, as a rule, twice the thread size.
- (Example) For M5: L1 max. = 10 mm
- However, for M5 on the short shaft of S shaft : L1 max. = 7.5 mm
- A parallel key is used on the long shaft for size 40.
- Applicable shaft types: S, Y
- Equal dimensions are indicated by the same marker.

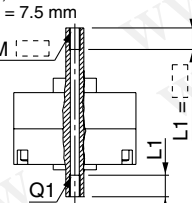


Thread	Size 15		Size 20		Size 30		Size 40	
	S	Y	S	Y	S	Y	S	Y
M3 x 0.5	ø2.5	ø2.5	ø2.5	ø2.5	ø2.5	ø2.5	ø2.5	ø2.5
M4 x 0.7	—	—	ø3.3	ø3.3	ø3.3	ø3.3	—	—
M5 x 0.8	—	—	—	—	ø4.2	ø4.2	—	—

**Symbol: A43** Applicable to single vane type only

A special end is machined onto both the long and short shafts, and a through-hole is drilled into both shafts. Female threads are machined into the through-holes, whose diameter is equivalent to the diameter of the pilot holes.

- Not available for size 10.
- The maximum dimension L1 is, as a rule, twice the thread size.
- (Example) For M5: L1 max. = 10 mm
- However, for M5 on the short shaft of T shaft : L1 max. = 7.5 mm
- Applicable shaft types: K, T
- Equal dimensions are indicated by the same marker.

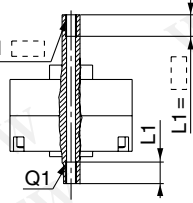


Thread	Size 15		Size 20		Size 30		Size 40	
	K	T	K	T	K	T	K	T
M3 x 0.5	ø2.5	ø2.5	ø2.5	ø2.5	ø2.5	ø2.5	ø2.5	ø2.5
M4 x 0.7	—	—	ø3.3	ø3.3	ø3.3	ø3.3	ø3.3	ø3.3
M5 x 0.8	—	—	—	—	ø4.2	ø4.2	ø4.2	ø4.2

**Symbol: A44** Applicable to single vane type only

A special end is machined onto both the long and short shafts, and a through-hole is drilled into both shafts. Female threads are machined into the through-holes, whose diameter is equivalent to the diameter of the pilot holes.

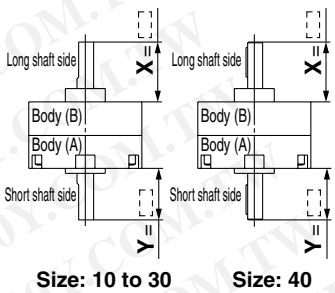
- Not available for size 10.
- The maximum dimension L1 is, as a rule, twice the thread size.
- (Example) For M5: L1 max. = 10 mm
- A parallel key is used on the long shaft for size 40.
- Applicable shaft type: J
- Equal dimensions are indicated by the same marker.



Thread	Size 15		Size 20		Size 30		Size 40	
	S	Y	S	Y	S	Y	S	Y
M3 x 0.5	ø2.5	ø2.5	ø2.5	ø2.5	ø2.5	ø2.5	ø2.5	ø2.5
M4 x 0.7	—	—	ø3.3	ø3.3	ø3.3	ø3.3	ø3.3	ø3.3
M5 x 0.8	—	—	—	—	ø4.2	ø4.2	ø4.2	ø4.2

**Symbol: A50** Shorten both long and short shafts.

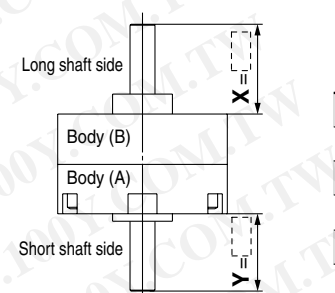
- Applicable shaft type: Y



Size	X (mm)	Y (mm)
10	3 to 14	1 to 14
15	4 to 18	1.5 to 18
20	4.5 to 20	1.5 to 20
30	5 to 22	2 to 22
40	18 to 30	18 to 30

**Symbol: A53** Shorten both long and short shafts.

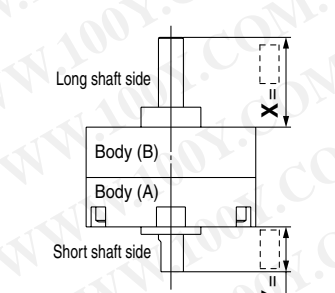
- Applicable shaft type: K



Size	X (mm)	Y (mm)
10	3 to 14	1 to 14
15	4 to 18	1.5 to 18
20	4.5 to 20	1.5 to 20
30	5 to 22	2 to 22
40	6.5 to 30	4.5 to 30

**Symbol: A57** Shorten both long and short shafts.

- Applicable shaft type: J

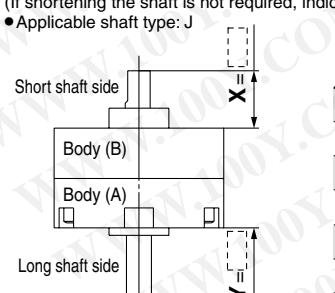


Size	X (mm)	Y (mm)
10	3 to 14	1 to 14
15	4 to 18	1.5 to 18
20	4.5 to 20	1.5 to 20
30	5 to 22	2 to 22
40	6.5 to 30	4.5 to 30

**Symbol: A58** The rotation axis is reversed. The long shaft and short shaft are shortened.

(If shortening the shaft is not required, indicate "\*" for dimension X, Y.)

- Applicable shaft type: J

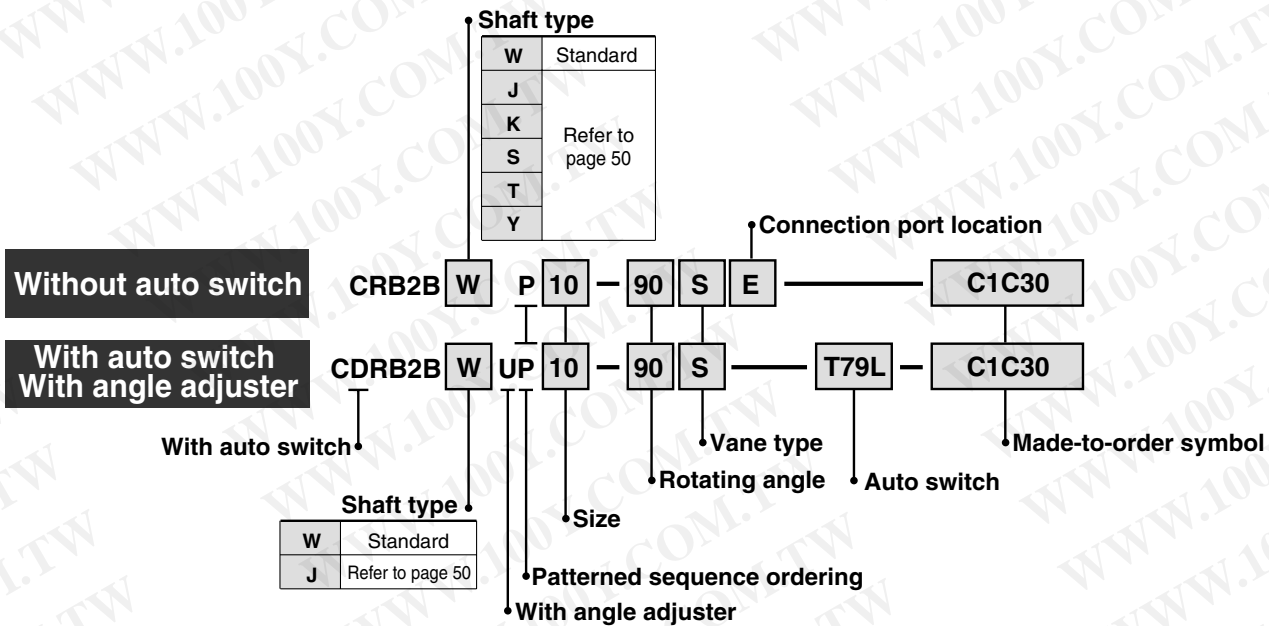


Size	X (mm)	Y (mm)
10	3 to 10	1 to 12
15	4 to 11.5	1.5 to 15.5
20	4.5 to 13	1.5 to 17
30	5 to 16	2 to 19
40	6.5 to 17	4.5 to 28

# Series CRB2 (Size: 10, 15, 20, 30, 40)

## Made to Order Specifications: XC1, 2, 3, 4, 5, 6, 7, 30

XC1 to XC7, XC30



- CRB2
- CRBU2
- CRB1
- MSU
- CRJ
- CRA1
- CRQ2
- MSQ
- MSZ
- CRQ2X
- MSQX
- MRQ

### Made to Order Symbol

Symbol	Description	Applicable shaft type	Applicable size	
		W, J, K, S, T, Y		
XC 1*	Add connection port	●	10	
XC 2*	Change threaded holes to through-hole	●		
XC 3*	Change the screw position	●		
XC 4	Change rotation range	●		20
XC 5*	Change rotation range between 0 to 200°	●		
XC 6*	Change rotation range between 0 to 110°	●		30
XC 7*	Reversed shaft	●		
XC30	Fluorine grease	●	40	

\* For products with auto switch; angle adjustment unit cannot be selected.

### Combination

Symbol	Combination						
XC 1	XC1						
XC 2	●	XC2					
XC 3	●	—	XC3				
XC 4	●	●	●	XC4			
XC 5	●	●	●	—	XC5		
XC 6	●	●	●	—	—	XC6	
XC 7	●	●	●	●	●	—	XC7
XC30	●	●	●	●	●	●	●

**Symbol: C1** Add connecting ports on Body (A).  
(An additionally machined port will have an aluminum surface since it will be left unfinished.)

- Parallel key is used on the long shaft for size 40.
- This specification is not available for the rotary actuator with auto switch unit.

Size	Q	M	N
10	M3	8.5	9.5
15	M3	11	10
20	M5	14	13
30	M5	15.5	14
40	M5	21	20

**Symbol: C2** Change 3 threaded holes on Body (B) into through holes.  
(An additionally machined port will have an aluminum surface since it will be left unfinished.)

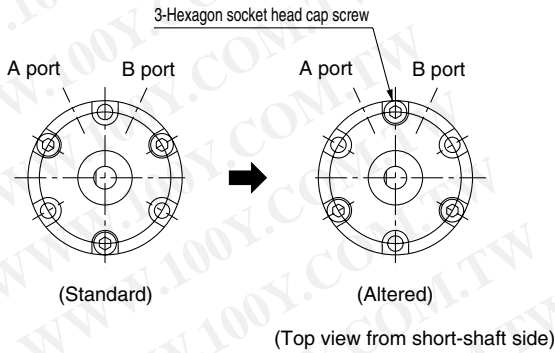
- This specification is not available for the rotary actuator with auto switch unit.

Size	d
15	3.4
20	4.5
30	5.5
40	5.5

(Top view from long shaft side)

# Series CRB2

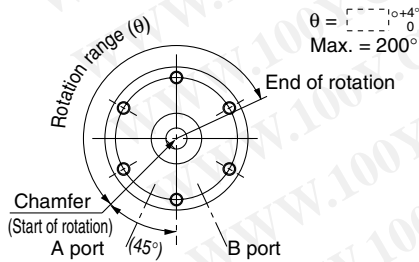
**Symbol: C3** Change the position of the screws for tightening the actuator body.



**Symbol: C5** Applicable to single vane type only

Start of rotation is 45° up from the bottom of the vertical line to the left side

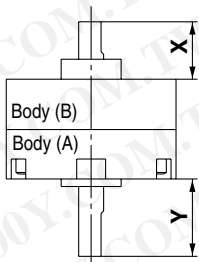
- Rotation tolerance for CRB2BW10 is  $^{+5^{\circ}}_0$ .
- Port size for CRB2BW10, 15 is M3.
- A parallel key is used instead of chamfer for size 40.



Start of rotation is the position of the chamfer (key) when B port is pressurized. (Top view from long shaft side)

**Symbol: C7** The shafts are reversed.

- Parallel key is used on the long shaft for size 40.

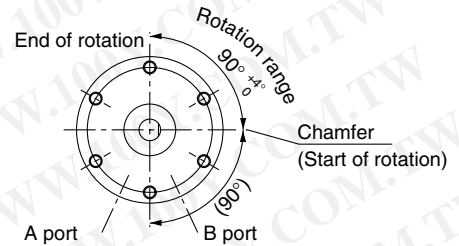


Size	Y	X
10	12	10
15	15.5	11.5
20	17	13
30	19	16
40	28	17

**Symbol: C4** Applicable to single vane type only

Change rotation range to 90°. Rotation starts from the horizontal line (90° down from the top to the right side)

- Rotation tolerance for CRB2BW10 is  $^{+5^{\circ}}_0$ .
- A parallel key is used instead of chamfer for size 40.

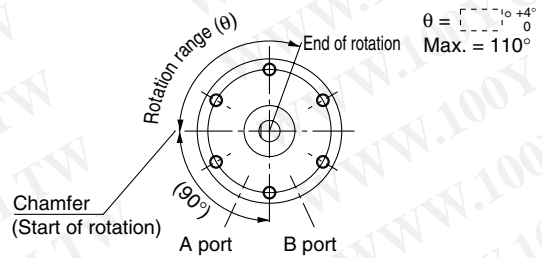


Start of rotation is the position of the chamfer (key) when A port is pressurized. (Top view from long shaft side)

**Symbol: C6** Applicable to single vane type only

Start of rotation is horizontal line (90° down from the top to the left side).

- Rotation tolerance for CRB2BW10 is  $^{+5^{\circ}}_0$ .
- A parallel key is used instead of chamfer for size 40.



Start of rotation is the position of the chamfer (key) when B port is pressurized. (Top view from long shaft side)

**Symbol: C30** Change the standard grease to fluoro grease (Not for low-speed specification.)

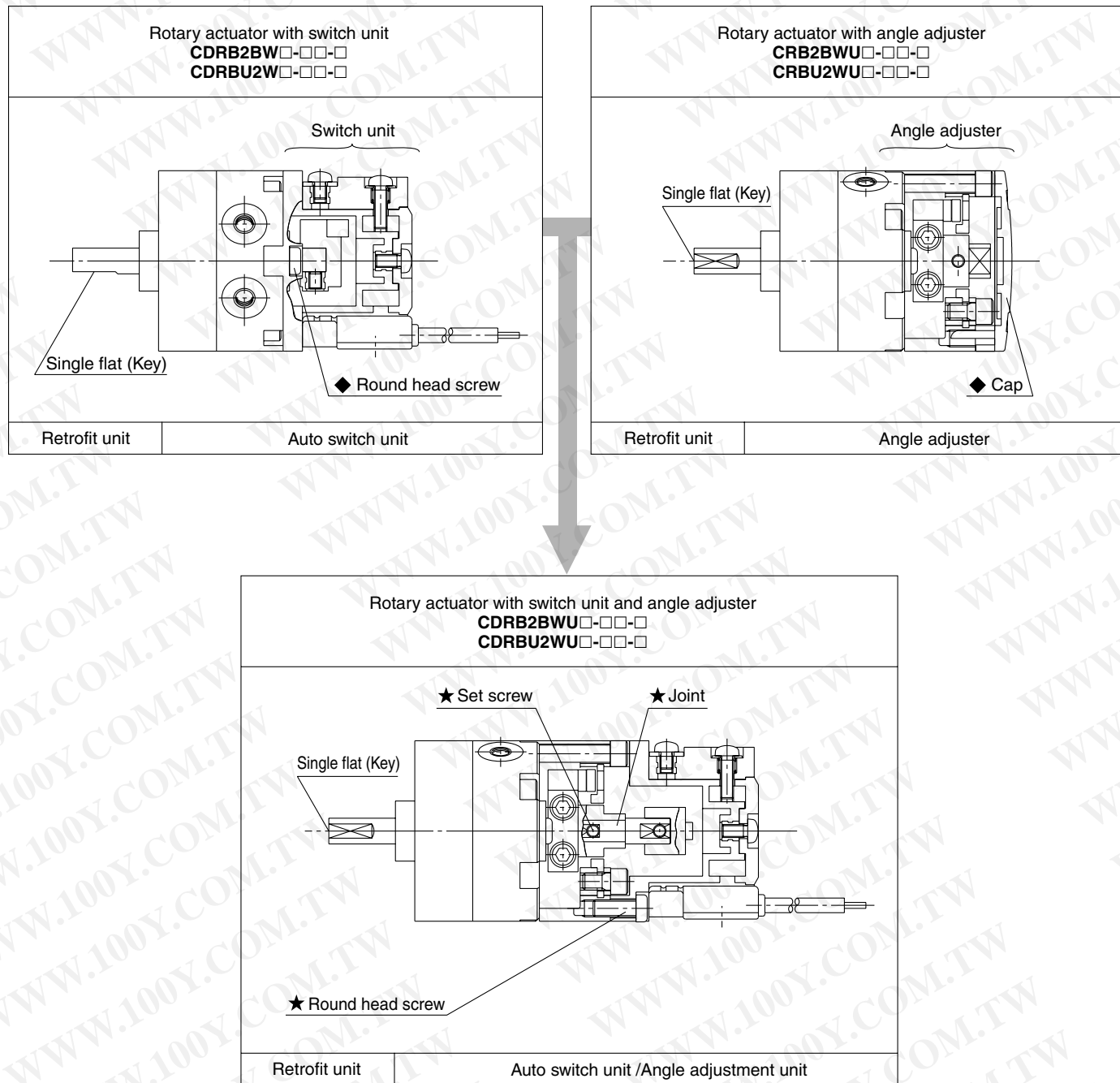
# Rotary Actuators

## Series **CRB2/CRBU2/CRB1**

# Component Unit

### Auto Switch Unit and Angle Adjuster

**Series CRB2/CRBU2** Auto switch unit and angle adjuster can be mounted on the rotary actuator vane type.



\* For rotary actuator with switch unit and angle adjuster is basically a combination of a switch unit and an angle adjuster. The items marked with ★ are additionally required parts for connection (joint unit parts), and the items marked with ◆ will not be in use.

\* Use a unit part number when ordering joint unit separately.

Note) Illustrations above show Series CRB2BW.

## 1 Auto Switch Unit Part No.

Each unit can be retrofitted to the rotary actuator.

Series	Model	Vane type	Unit part no.
Series <b>CRB2</b>	CDRB2BW 10	Single/Double type	P611070-1
	CDRB2BW 15		P611090-1
	CDRB2BW 20		P611060-1
	CDRB2BW 30		P611080-1
	CDRB2BW 40		P611010-1
Free mount type Series <b>CRBU2</b>	CDRBU2W 10	Single/Double type	P611070-1
	CDRBU2W 15		P611090-1
	CDRBU2W 20		P611060-1
	CDRBU2W 30		P611080-1
	CDRBU2W 40		P611010-1
Series <b>CRB1</b>	CDRB1BW 50	Single/Double type	P411020-1
	CDRB1BW 63		P411030-1
	CDRB1BW 80		P411040-1
	CDRB1BW100		P411050-1

\* Auto switch unit can be ordered separately if the rotary actuator with auto switch unit is required after the product being delivered. Auto switch itself will not be included. Please order separately.

## 2 Switch Block Unit Part No.

Auto switch unit comes with one right-hand and one left-hand switch blocks that are used for addition or when the switch block is damaged.

Series	Model	Unit part no.	
Series <b>CRB2</b>	CDRB2BW10,15	Right-handed	P611070-8
		Left-handed	P611070-9
	CDRB2BW20,30	Right-handed	P611060-8
		Left-handed	P611060-9
	CDRB2BW40	Right-handed	P611010-8
		Left-handed	P611010-9
Free mount type Series <b>CRBU2</b>	CDRBU2W10,15	Right-handed	P611070-8
		Left-handed	P611070-9
	CDRBU2W20,30	Right-handed	P611060-8
		Left-handed	P611060-9
	CDRBU2W40	Right-handed	P611010-8
		Left-handed	P611010-9
Series <b>CRB1</b>	CDRB1BW50	Right-handed	P411020-8
		Left-handed	P411020-9
	CDRB1BW63,80,100	Right-handed	P411040-8
		Left-handed	P411040-9

\* Solid state switch for size 10 and 15 requires no switch block, therefore the unit part no. will be P211070-13.

## 3 Angle Adjuster Part No.

Each unit can be retrofitted to the rotary actuator.

Series	Model	Vane type	Unit part no.
Series <b>CRB2</b>	CRB2BWU10	Single/Double type	P611070-3
	CRB2BWU15		P611090-3
	CRB2BWU20		P611060-3
	CRB2BWU30		P611080-3
	CRB2BWU40		P611010-3
	Free mount type Series <b>CRBU2</b>		CRBU2WU10
CRBU2WU15		P611090-3	
CRBU2WU20		P611060-3	
CRBU2WU30		P611080-3	
CRBU2WU40		P611010-3	

## 4 Auto Switch Angle Adjuster Part No.

Each unit can be retrofitted to the rotary actuator.

Series	Model	Vane type	Unit part no.
Series <b>CRB2</b>	CDRB2BWU10	Single/Double type	P611070-4
	CDRB2BWU15		P611090-4
	CDRB2BWU20		P611060-4
	CDRB2BWU30		P611080-4
	CDRB2BWU40		P611010-4
Free-mount type Series <b>CRBU2</b>	CDRBU2WU10	Single/Double type	P611070-4
	CDRBU2WU15		P611090-4
	CDRBU2WU20		P611060-4
	CDRBU2WU30		P611080-4
	CDRBU2WU40		P611010-4

## 5 Joint Unit Part No.

Joint unit is a unit required to retrofit the angle adjuster to a rotary actuator with a switch unit or to retrofit the switch unit to a rotary actuator with angle adjuster.

Series	Model	Vane type	Unit part no.
Series <b>CRB2</b>	CDRB2BWU10	Single/Double type	P211070-10
	CDRB2BWU15		P211090-10
	CDRB2BWU20		P211060-10
	CDRB2BWU30		P211080-10
	CDRB2BWU40		P211010-10
Free mount type Series <b>CRBU2</b>	CDRBU2WU10	Single/Double type	P211070-10
	CDRBU2WU15		P211090-10
	CDRBU2WU20		P211060-10
	CDRBU2WU30		P211080-10
	CDRBU2WU40		P211010-10

CRB2

CRBU2

CRB1

MSU

CRJ

CRA1

CRQ2

MSQ

MSZ

CRQ2X  
MSQX

MRQ

D-□

勝特力材料 886-3-5753170  
 勝特力电子(上海) 86-21-34970699  
 勝特力电子(深圳) 86-755-83298787  
[Http://www.100y.com.tw](http://www.100y.com.tw)

# Series CRB2/CRBU2

# Installation of Angle Adjuster

## Specifications

### Single Vane Type

Model	Rotation adjustment range	Rubber bumper
CRB2BWU10, CRBU2WU10	0 to 230°	Yes
CRB2BWU15, CRBU2WU15	0 to 240°	
CRB2BWU20, CRBU2WU20		
CRB2BWU30, CRBU2WU30		
CRB2BWU40, CRBU2WU40	0 to 230°	

Note 1) Use rotary actuator for 270°.

Note 2) Connection ports are side ports only.

Note 3) The allowable kinetic energy is the same as the specifications of the rotary actuator by itself.

### Double Vane Type

Model	Rotation adjustment range	Rubber bumper
CRB2BWU10, CRBU2WU10	0 to 90°C	Yes
CRB2BWU15, CRBU2WU15		
CRB2BWU20, CRBU2WU20		
CRB2BWU30, CRBU2WU30		
CRB2BWU40, CRBU2WU40		

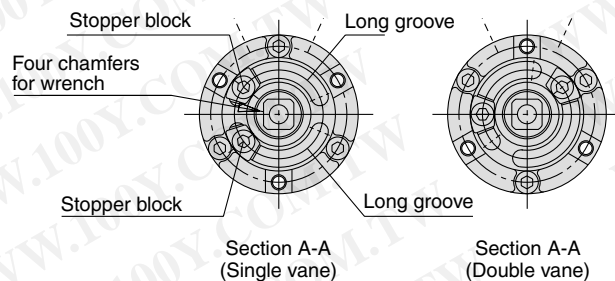
Note 1) Since the maximum angle of the rotation adjustment range will be limited by the rotation when using a rotary actuator for 90°, make sure to take this into consideration when ordering. Rotary actuator for 90° should be used to adjust the angle of 85° or less as a guide.

Note 2) Connection ports are side ports only.

Note 3) The allowable kinetic energy is the same as the specifications of the rotary actuator by itself.

## Rotation Adjustment Method

Remove the resin cap in the illustrations below, slide the stopper block on the long groove and lock it into the appropriate position to adjust the rotation and rotation position. Protruding four chamfers for wrench on the output shaft that rotates allows manual operation and convenient positioning. (Refer to the rotation setting examples shown in the next page for details.)



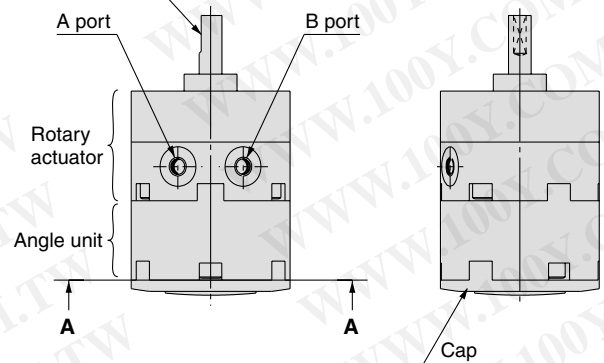
Note) For size 40, each stopper block comes with 2 holding bolts.

## Recommended Tightening Torque for Holding Stopper Block

Model	Tightening torque (N·m)
CRB2BWU10, CRBU2WU10	1.0 to 1.2
CRB2BWU15, CRBU2WU15	
CRB2BWU20, CRBU2WU20	2.5 to 2.9
CRB2BWU30, CRBU2WU30	3.4 to 3.9
CRB2BWU40, CRBU2WU40	

Note) Stopper block is tightened temporarily at the time of shipment. Angle is not adjusted before shipment.

Output shaft with single flat (Key is used for size 40)

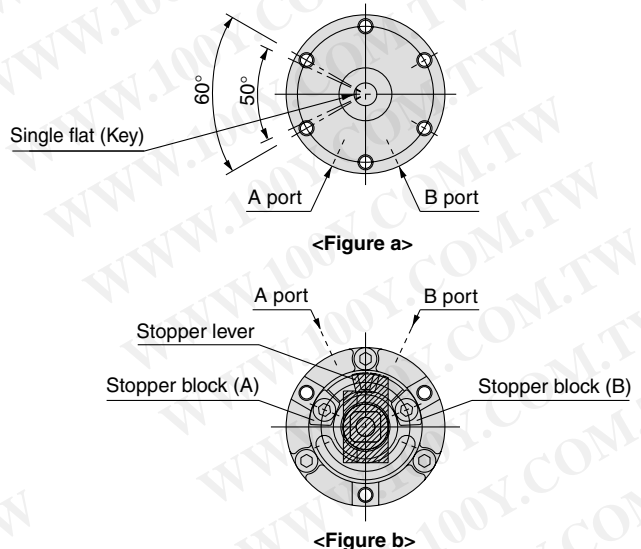


## Other Operating Method

Although one stopper block is mounted on each long groove for standard specifications as shown in the illustrations below, 2 stopper blocks can be mounted on one long groove. Angle adjustment range when 2 stopper blocks are mounted on a single long groove

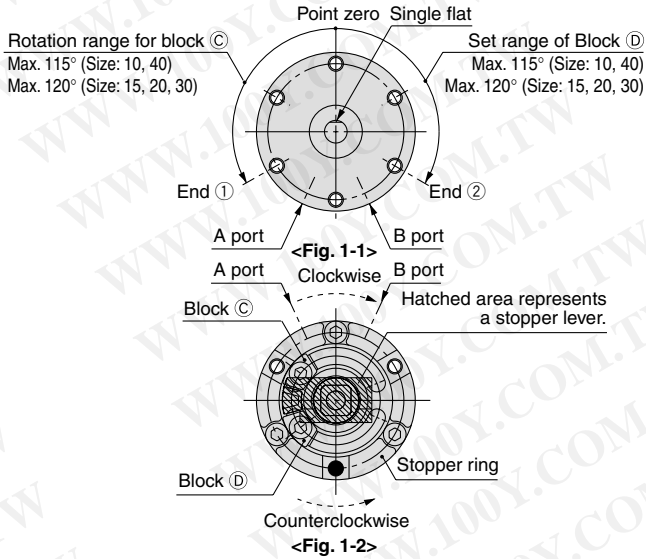
Size: 10, 40 .....50°  
Size: 15, 20, 30 .....60°

As shown in <Figure b>, when mounting 2 pcs. stopper blocks in the 1 pc. long groove, by revolving each stopper block (A)(B), the rotating range of the output shaft with single flat (key) is adjustable, as described in <Figure a>, within either left 50° and 60° against port A and B. (Rotating range of single flat (key) when mounting 2 pcs. stopper blocks on the other side's groove is the opposite side from <Figure a> and the setting range is within either right 50° and 60° against port A and B.)



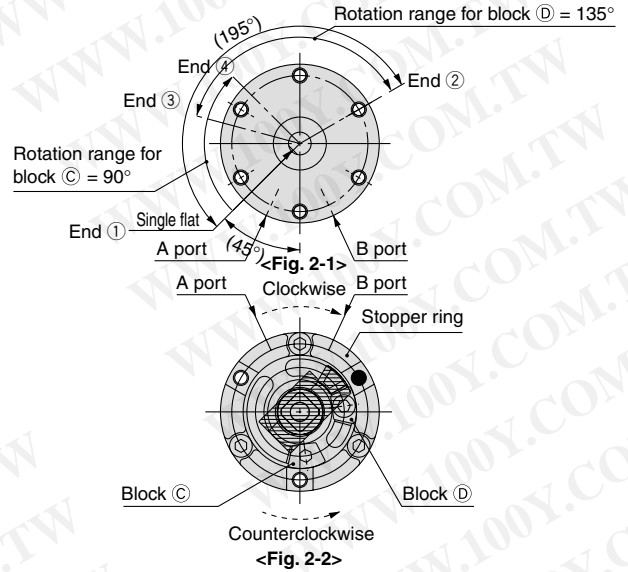
## Rotation Setting Example

**Example 1** The stopper ring is mounted on the standard position. (Rotary actuator with a rotation of 270° is used.)



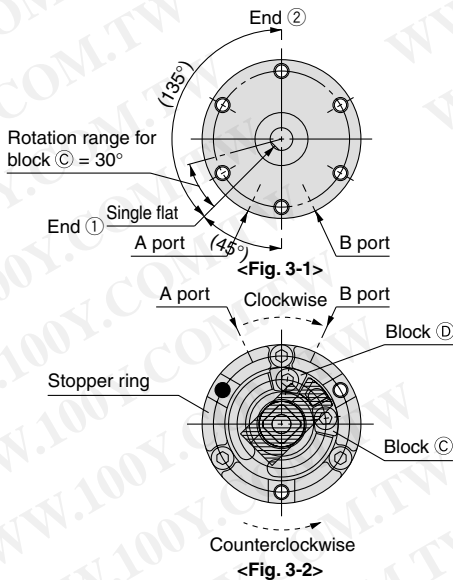
Lock block ④ in Fig. 1-2, and move block ③ clockwise to allow the rotation of the shaft with single flat in Fig. 1-1 from point zero to end of rotation ①. When block ③ is locked and block ④ is moved counterclockwise, the shaft with single flat in Fig. 1-1 rotates from point zero to end of rotation ②. The maximum rotation range of the shaft with single flat is as follows: Sizes 10, 40: up to 230°; Sizes 15, 20, 30: up to 240° (Fig. 1-2 shows when the rotation is 0°).

**Example 2** The stopper ring is mounted on 120° counterclockwise from the standard position shown in Fig. 1-2 in Example 1.



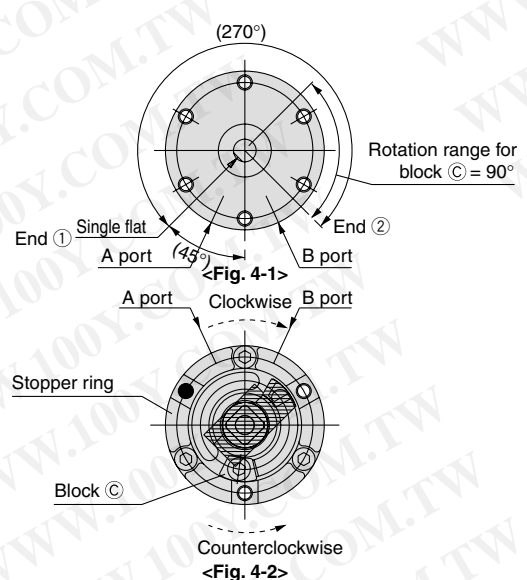
The maximum rotation range of the shaft with single flat in Fig. 2-2 is 195°, from end of rotation ① to end of rotation ②. The rotation range decreases to the range between end of rotation ② and ③ as in 2-1 when moving block ③ in Fig. 2-2 clockwise, and similarly when block ④ is moved counterclockwise, the rotation range decreases to the range between end of rotation ① and ④. However, since the internal stopper will come into contact with the vane at end of rotation ① in Fig. 2-1, make sure that the stopper lever stops at block ④ when adjusting.

**Example 3** The stopper ring is mounted on 120° clockwise from the standard position shown in Fig. 1-2 in Example 1, just as in Fig. 4-2 of Example 4.



Lock block ③ in Fig. 3-2 and move block ④ counterclockwise to allow the rotation of the shaft with single flat in Fig. 3-1 from end of rotation ① to end of rotation ②. However, since the internal stopper will come into contact with the vane at end of rotation ①, make sure that the stopper lever stops at block ③ when adjusting. End of rotation side ① can be adjusted within 30° by turning block ③ counterclockwise.

**Example 4** The stopper ring is mounted on 120° clockwise from the standard position shown in Fig. 1-2 in Example 1, just as in Fig. 3-2 of Example 3.



The maximum rotation range of the shaft with single flat is 270°, from end of rotation ① to end of rotation ②, when using the actuator for 270° and end of rotation ② side is stopped by the internal stopper and end of rotation ① side is adjusted using block ③. The rotation can be adjusted within 90° from end of rotation ②. Note that block ③ cannot be moved and set 90° counterclockwise from its position in Fig. 4-2 since the internal stopper will come into contact with the vane.

- Note 1) Mounting of the stopper ring shown in Examples 2, 3, and 4 are not applicable for size 10.
- Note 2) ● marks in the illustrations above indicate the position of the stopper ring assembly.
- Note 3) Select the appropriate rotation of the rotary actuator by itself after careful consideration of the content of "installation of angle adjuster".
- Note 4) For size 40, each block comes with 2 holding bolts.

CRB2

CRBU2

CRB1

MSU

CRJ

CRA1

CRQ2

MSQ

MSZ

CRQ2X

MSQX

MRQ

D-□



# Series CDRB2/CDRBU2/CRB1 With Auto Switch

## Applicable Auto Switch

Applicable series	Auto switch model		Electrical entry
CDRB2BW10/15 CDRBU2W10/15	Reed switch	D-90, D-90A	Grommet, 2-wire
		D-97, D-93A	
	Solid state switch	D-S99, D-S99V *	Grommet, 3-wire (NPN)
		D-S9P, D-S9PV *	Grommet, 3-wire (PNP)
CDRB2BW20/30/40 CDRBU2W20/30/40 CRB1BW50/63/80/100	Reed switch	D-R73	Grommet, 2-wire
		D-R80	Connector, 2-wire
	Solid state switch	D-S79 *	Grommet, 3-wire (NPN)
		D-S7P *	Grommet, 3-wire (PNP)
		D-T79	Grommet, 2-wire; Connector, 2-wire

\* Solid state switch with 3-wire type has no connector type.

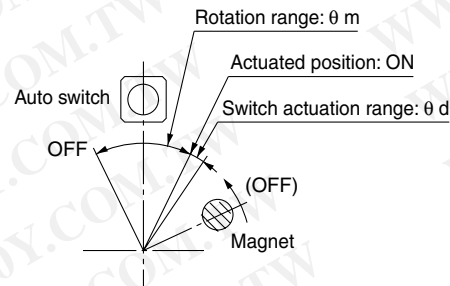
## Operating Range and Hysteresis

### \* Operating range: $\theta m$

The range between the position where the auto switch turns ON as the magnet inside the auto switch unit moves and the position where the switch turns OFF as the magnet travels the same direction.

### \* Hysteresis range: $\theta d$

The range between the position where the auto switch turns ON as the magnet inside the auto switch unit moves and the position where the auto switch turns OFF as the magnet travels the opposite direction.

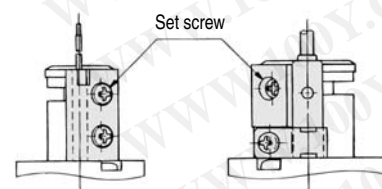


Model	Operating range: $\theta m$	Switch actuation range: $\theta d$
CDRB2BW10/15	110°	10°
CDRBU2W10/15		
CDRB2BW20/30	90°	8°
CDRBU2W20/30		
CDRB2BW40	52°	7°
CDRBU2W40		
CDRB1BW50	38°	7°
CDRB1BW63 to 100		

Note) Since the figures in the above table are provided as a guideline only, they cannot be guaranteed. Adjust the auto switch after confirming the operating conditions in the actual setting.

## How to Change the Detecting Position of Auto Switch

\* When setting the detection location, loosen the tightening screw a bit and move the auto switch to the preferred location and then tighten again and fix it. At this time, if tightened too much, screw can become damaged and unable to fix location. Be sure to set the tightening torque around 0.49 N-m.



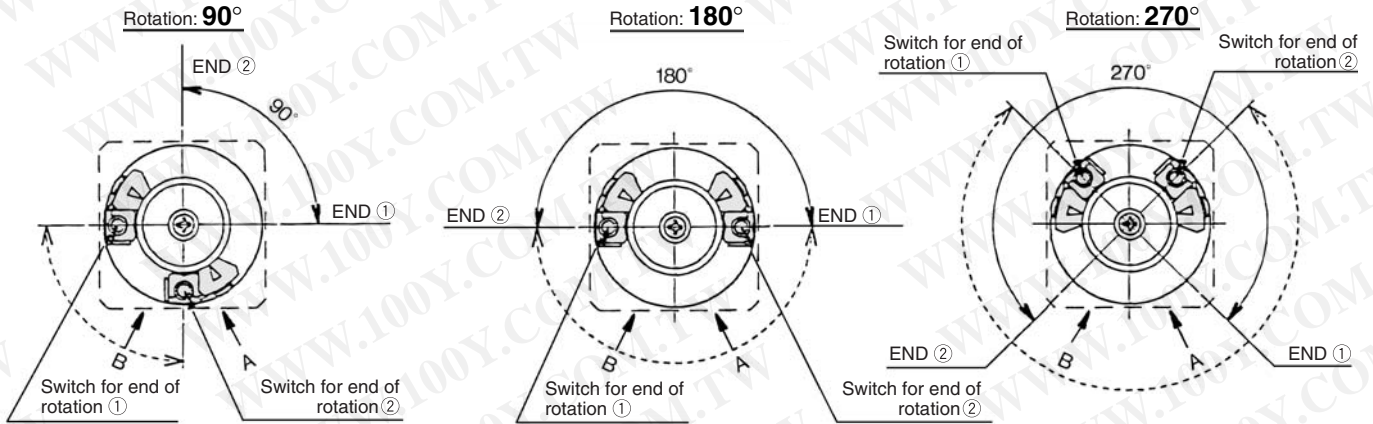
(CDRB2BW10/15)  
(CDRBU2W10/15)

(CDRB2BW20 to 40)  
(CDRBU2W20 to 40)  
(CRB1BW50 to 100)

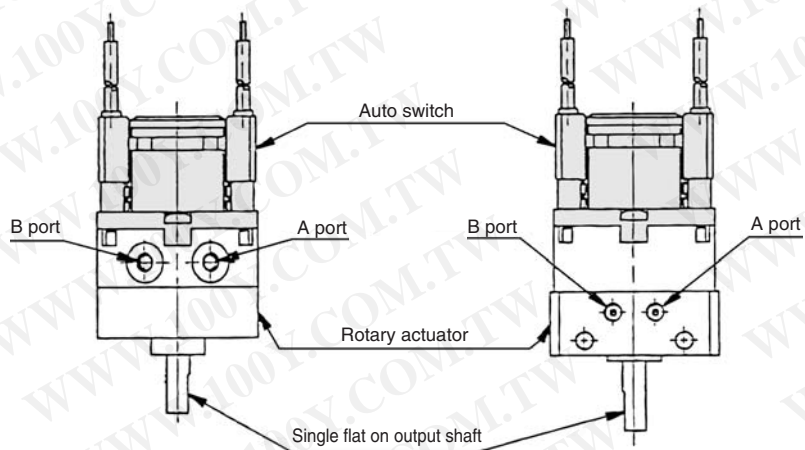
**Adjustment of Auto Switch**

Rotation range of the output shaft with single flat (key for size 40 only) and auto switch mounting position  
 Size: 10, 15, 20, 30, 40

<Single vane>



- \* Solid-lined curves indicate the rotation range of the output shaft with single flat (key). When the single flat (key) is pointing to end of rotation ①, the switch for end of rotation ① will operate, and when the single flat (key) is pointing to end of rotation ②, the switch for end of rotation ② will operate.
- \* Broken-lined curves indicate the rotation range of the built-in magnet. Rotation range of the switch can be decreased by either moving the switch for end of rotation ① clockwise or moving the switch for end of rotation ② counterclockwise. Auto switch in the figures above is at the most sensitive position.
- \* Each auto switch unit comes with one right-hand and one left-hand switch.



(CDRB2BW10 to 40)

(CDRBU2W10 to 40)

CRB2

CRBU2

CRB1

MSU

CRJ

CRA1

CRQ2

MSQ

MSZ

CRQ2X

MSQX

MRQ

D-□

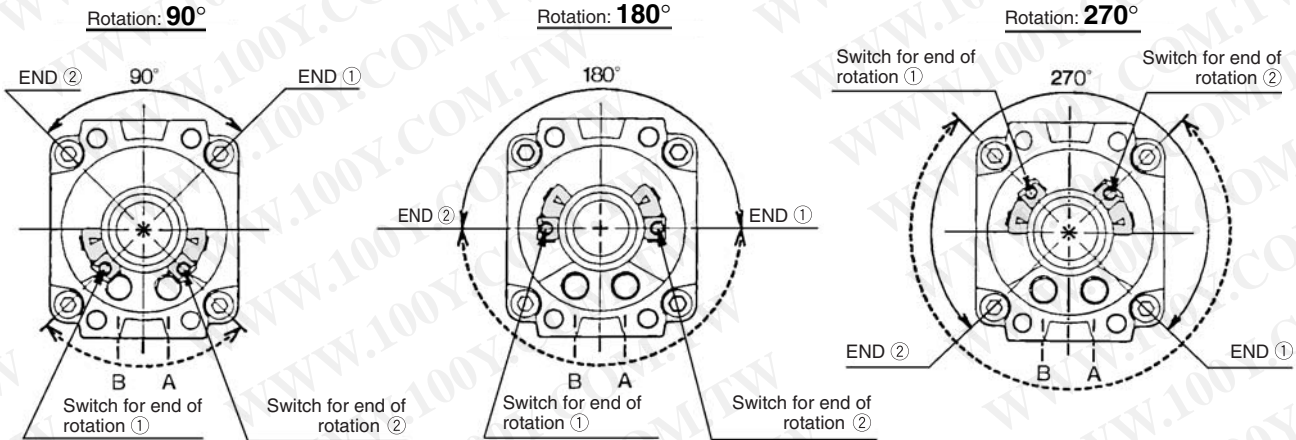
# Series CDRB2/CDRBU2/CRB1

## Adjustment of Auto Switch

Rotation range of the output key (keyway) and auto switch mounting position

Size: 50, 63, 80, 100

<Single vane>



\* Solid-lined curves indicate the rotation range of the output key (keyway). When the key is pointing to end of rotation ① the switch for end of rotation ① will operate, and when the key is pointing to end of rotation ②, the switch for end of rotation ② will operate.

\* Broken-lined curves indicate the rotation range of the built-in magnet. Rotation range of the switch can be decreased by either moving the switch for end of rotation ② clockwise or moving the switch for end of rotation ② counterclockwise. Auto switch in the figures above is at the most sensitive position.

\* Each auto switch unit comes with one right-hand and one left-hand switch.

\* The magnet position can be checked with a convenient ► indication by removing a rubber cap when adjusting the auto switch position.

\* Since four chamfers are machined into the axis of rotation, a magnet position can be readjusted at 90° intervals.

