

**CRYSTAL UNIT****AEC-Q200****YSX321SC**

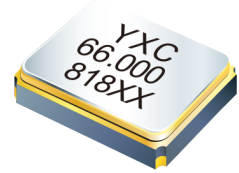
勝特力材料 886-3-5753170  
 勝特力电子(上海) 86-21-34970699  
 勝特力电子(深圳) 86-755-83298787  
 Http://www.100y.com.tw

**Applications**

- GPS Automotive electronics

**Features**

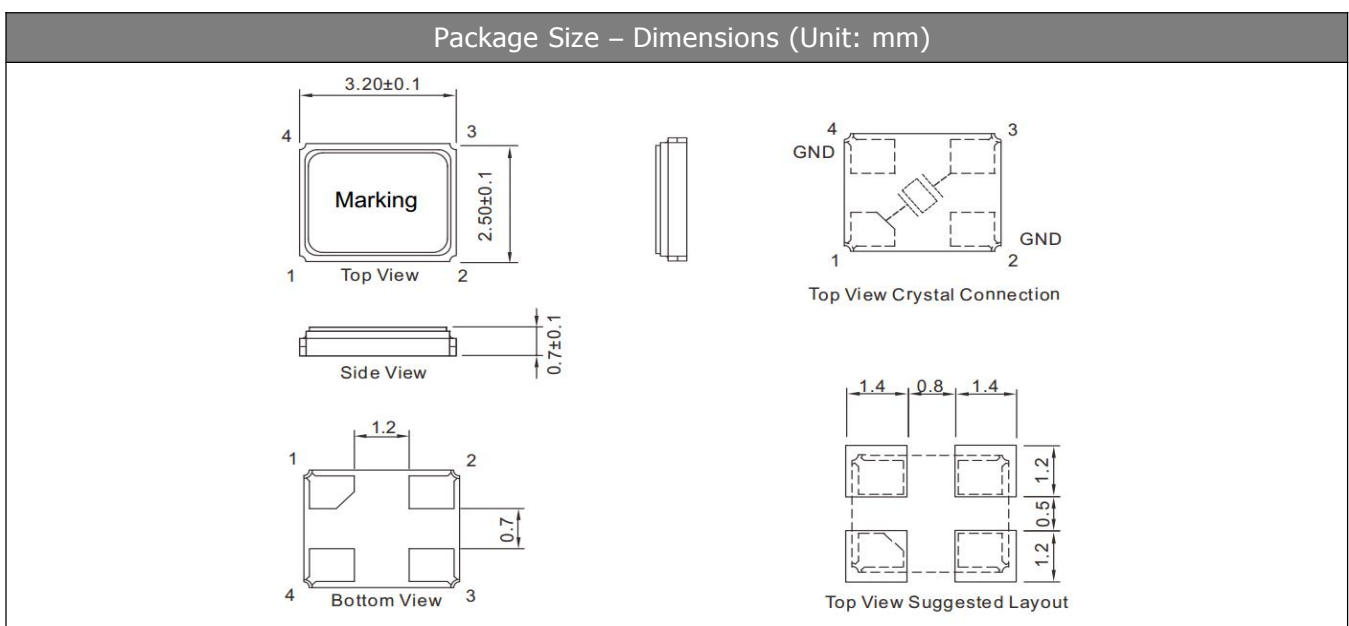
- Dimensions: 3.20 x 2.50 x 0.70 mm.
- Standard Frequency: 8~66MHz
- Low impedance performance.
- AEC-Q200 qualified.

**Specifications**

|                                              |                              |
|----------------------------------------------|------------------------------|
| Standard Frequency                           | 8~66 MHz                     |
| Vibration Mode                               | AT Fundamental               |
| Load Capacitance                             | 8pF, 12pF, or specify        |
| Frequency Tolerance (at 25 °C)               | ±10ppm, ±30ppm, or specify   |
| Frequency Versus Temperature Characteristics | ±50ppm, or specify           |
| Operating Temperature                        | -40~+125°C, or specify       |
| Storage Temperature                          | -55~+125°C or specify        |
| Shunt Capacitance                            | 3 pF Max.                    |
| Level of Drive                               | 1~200µW Max. (100uW typical) |
| Aging (at 25 °C)                             | ±2ppm/year Max.              |

**Equivalent Series Resistance(ESR)**

| Fundamental   |            |               |           |
|---------------|------------|---------------|-----------|
| 8 ~ 9.9MHz    | 800 Ω Max. | 13 ~ 15.9MHz  | 80 Ω Max. |
| 10 ~ 10.9 MHz | 250 Ω Max. | 16 ~ 20.9 MHz | 70 Ω Max. |
| 11 ~ 11.9 MHz | 150 Ω Max. | 21 ~ 29.9 MHz | 60 Ω Max. |
| 12 ~ 12.9 MHz | 100 Ω Max  | 30 ~ 66.0 MHz | 50 Ω Max  |

**Dimensions and Patterns [unit:mm]**

# CRYSTAL UNIT

## AEC-Q200

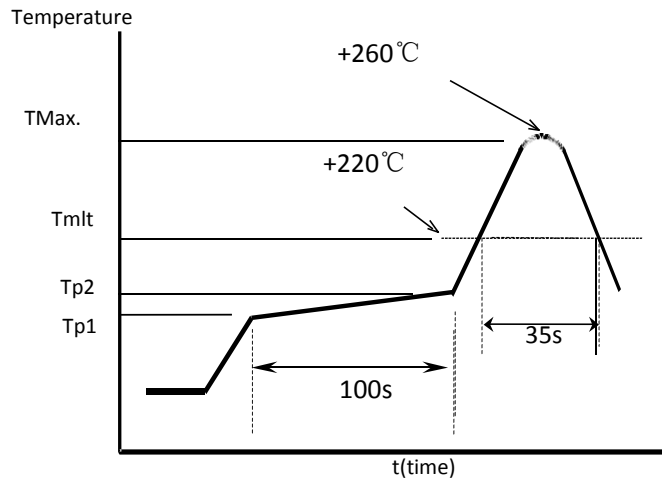
# YSX321SC



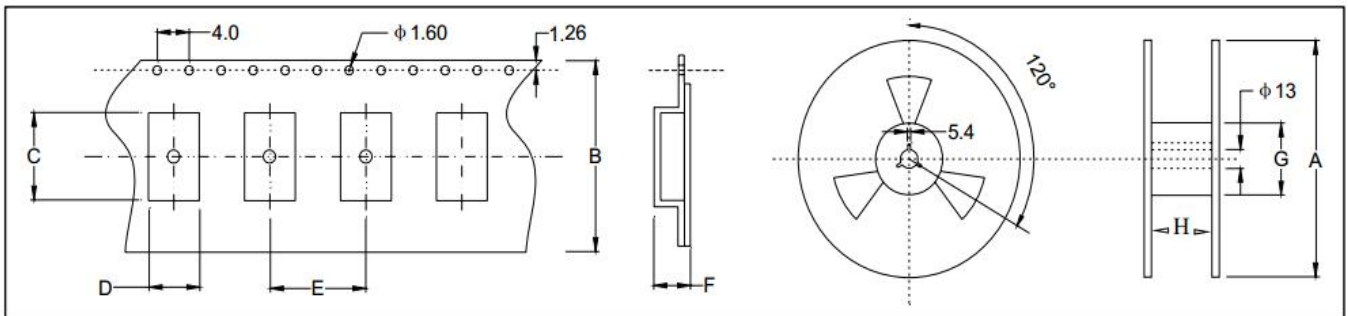
**勝特力材料 886-3-5753170**  
**勝特力电子(上海) 86-21-34970699**  
**勝特力电子(深圳) 86-755-83298787**  
[Http://www.100y.com.tw](http://www.100y.com.tw)

### Reflow Soldering Profile

Pre Heating Temperature  
 Tp1 ~ Tp2 = + 170 °C  
 Heating Temperature  
 TMI = + 220 °C  
 Peak Temperature  
 TMax. = + 260 °C  
  
 Point of measuring  
 In case of Solder ability  
 Terminal.  
 In case of Resistance to soldering heat  
 Surface.



### Taping Specification(Unit: mm)



| Size              | A       | B       | C        | D        | E       | F        | G        | H       |
|-------------------|---------|---------|----------|----------|---------|----------|----------|---------|
| SMD-3225          | 180±2.0 | 8.0±0.3 | 3.80±0.1 | 3.04±0.1 | 4.0±0.1 | 1.54±0.1 | 61.0±1.0 | 8.0±1.0 |
| 3000 pcs per reel |         |         |          |          |         |          |          |         |