

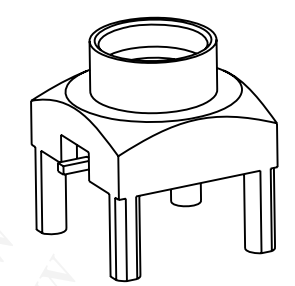
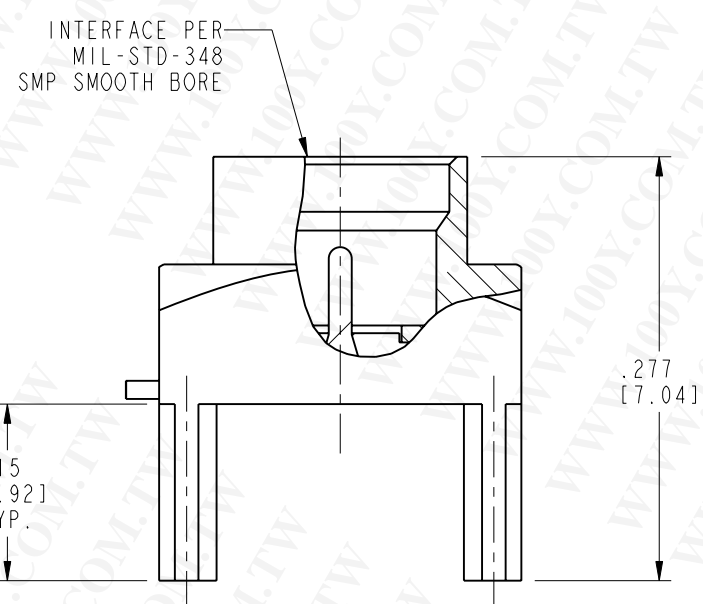
NOTES:

1. MATERIALS AND FINISHES:  
 BODY - BRASS, GOLD PLATING  
 CONTACT - BRASS, GOLD PLATING  
 INSULATOR - LCP
2. ELECTRICAL:  
 A. IMPEDANCE: 50 OHM  
 B. FREQUENCY RANGE: DC - 18 GHz  
 C. VSWR(RETURN LOSS): 1.10 (26 dB), MAX. DC - 6 GHz  
                                   1.15 (23 dB), MAX. 6 - 10 GHz  
                                   1.32 (17 dB), MAX. 10 - 18 GHz  
 D. DIELECTRIC WITHSTANDING VOLTAGE: 500 VRMS, MIN.
3. PHYSICAL:  
 A. DURABILITY: 1000 CYCLES MIN.  
 B. ENGAGEMENT FORCE: 2 LB [9 N] MAX  
 C. DISENGAGEMENT FORCE: 0.5 LB [2.2 N] MIN  
 D. INNER CONTACT RETENTION FORCE: 1.5 LB [7 N] MIN  
 E. TEMPERATURE RANGE: -65° C TO +165° C
4. PACKAGING:  
 A. QUANTITY: SINGLE PACK  
 B. MARK BAG OR TAG:  
     AMPHENOL  
     SMP-MSSB-PCT-5  
     DATE CODE  
     QTY

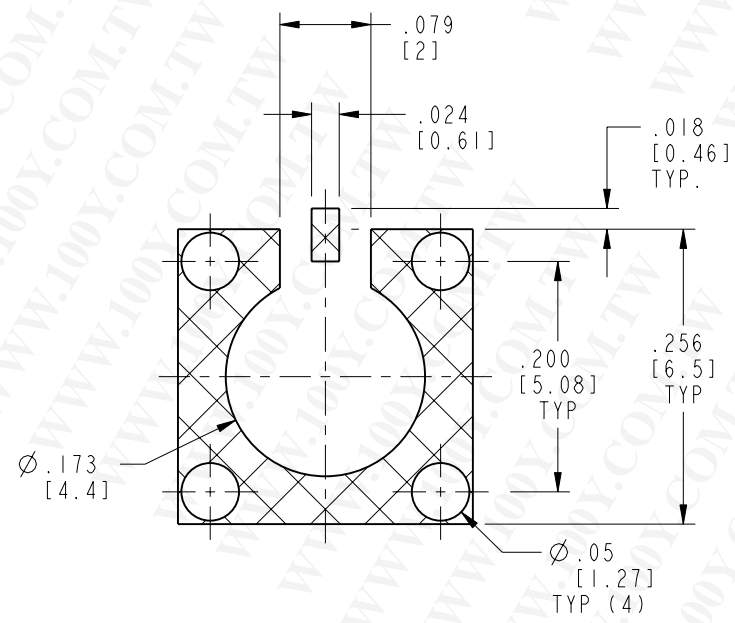
THIRD ANGLE PROJ.

REVISIONS

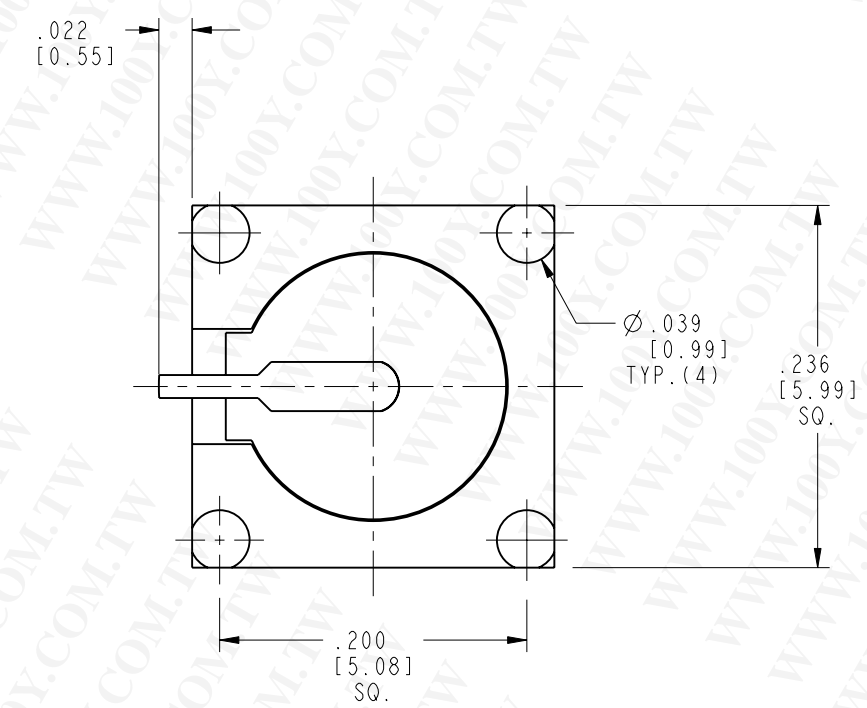
REV	DESCRIPTION	DATE	ECO	APPR
A	RELEASE TO MFG	9/1/06	46251	MY
B	INSULATOR WAS CHANGED	07-May-07	---	ANGELA
C	SYNCH THE DRAWING WITH DANBURY	07-Nov-12	49307	SH
D	SEE SHEET IVRD-DMI3091001J8	24-Sep-13	49741	MD



SCALE 4.000



**RECOMMENDED PCB PAD LAYOUT**



**CUSTOMER OUTLINE DRAWING**  
 ALL OTHER SHEETS ARE FOR INTERNAL USE ONLY

勝特力材料 886-3-5753170  
 勝特力电子(上海) 86-21-34970699  
 勝特力电子(深圳) 86-755-83298787  
[Http://www.100y.com.tw](http://www.100y.com.tw)

UNLESS OTHERWISE SPECIFIED, DIMENSIONS ARE IN INCHES AND TOLERANCES ARE: 2 PLACE DECIMAL      3 PLACE DECIMAL      ANGLES ±.015 (0,381 mm)      ±.005 (0,127 mm)      ± 1°	MATERIAL	DRAWN J. CHEN	DATE 24-Sep-13	TITLE SMP JACK, PIN CONTACT PCB RECEPTACLE SMOOTH BORE	Amphenol RF <a href="http://www.amphenolrf.com">www.amphenolrf.com</a>
	REFERENCE EAR # 2143	ENGINEER H. PARIKH	DATE 10-Aug-06		
NOTICE - These drawings, specifications, or other data (1) are, and remain the property of Amphenol corp. (2) must be returned upon request; and (3) are confidential and not to be disclosed to any person other than those to whom they are given by Amphenol Corp. the furnishing of these drawings, specifications, or other data by Amphenol Corp., or to any other person for any purpose is not to be regarded by implication or otherwise in any manner licensing, granting rights to permitting such holder or any other person to manufacture, use or sell any product, process or design, patented or otherwise, that may in any way be related to or disclosed by said drawings, specifications, or other data.	CONFIGURATION LEVEL:	APPROVED S. HSIEH	DATE 27-Sep-13	SCALE: 8.0:1.0      SHEET 2 OF 2	ITEM NO. SMP-MSSB-PCT-5
	FINISH	CAD FILE			DWG SIZE B
					PART NO. SMP-MSSB-PCT-5