

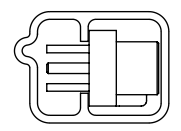
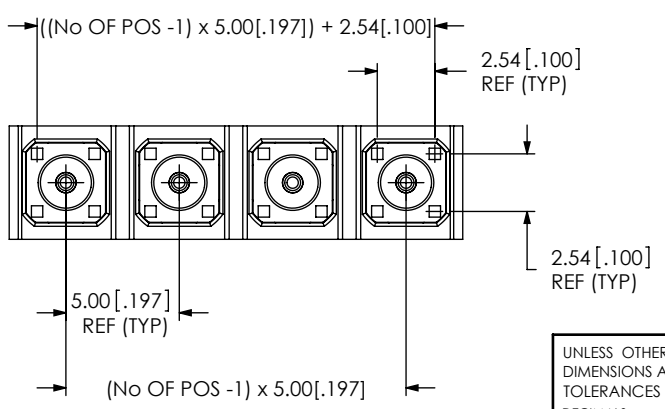
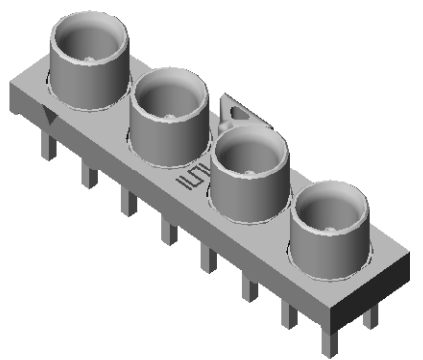
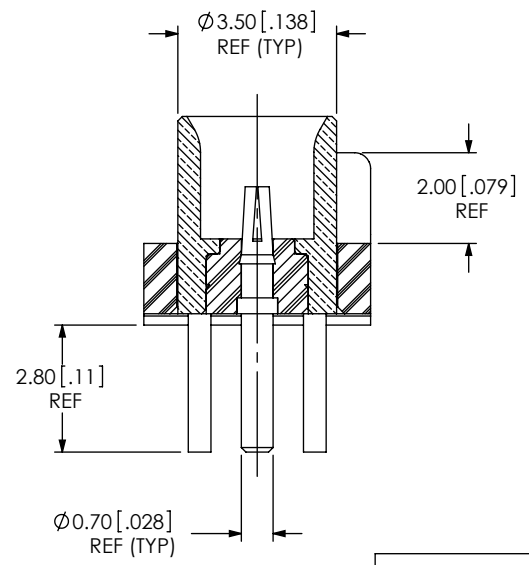
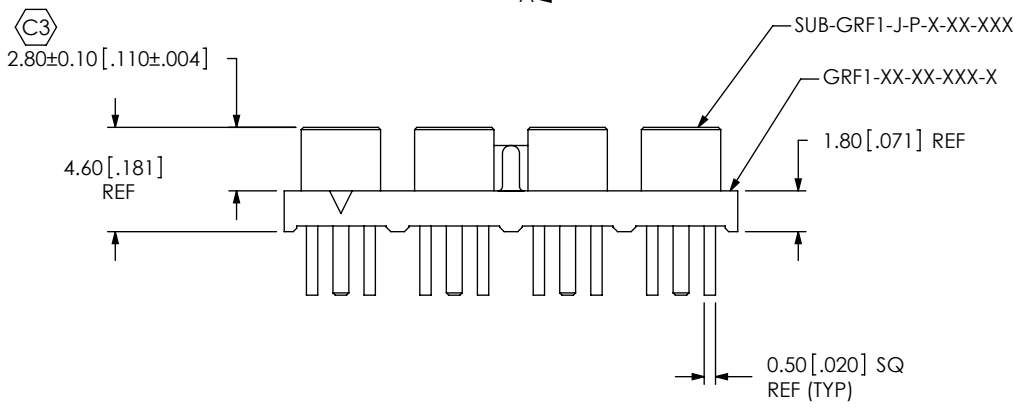
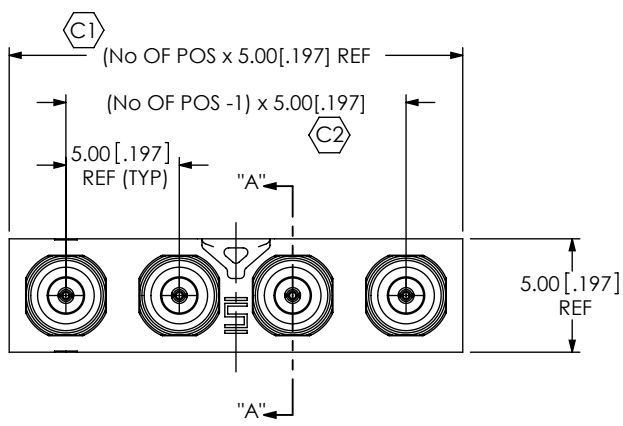
DO NOT SCALE FROM THIS PRINT

勝特力材料 886-3-5753170
 勝特力电子(上海) 86-21-34970699
 勝特力电子(深圳) 86-755-83298787
 Http://www.100y.com.tw

DESIGNED & DIMENSIONED IN MILLIMETERS [INCHES]

GRF1-J-P-XX-X-XX-XXX-X

GENDER
 -J: JACK
 PCB
 -P: PCB MOUNT
 No OF POSITIONS
 -02, -04, -06, -08
 PLATING
 -E: 50u" GOLD ON CENTER CONDUCTOR CONTACT AREA AND SOLDER TAIL.
 3u" GOLD ON SHELL AND SHELL SOLDER TAILS
 INSERT OPTIONS
 -E: #1-64 THRU HOLE THREADED INSERT (SEE FIG. 2, SHT 2)
 TERMINATION
 -TH1: THRU HOLE
 ORIENTATION
 -ST: STRAIGHT



PACKAGING VIEW
 USE: PT 1-24-04-36-TP-09

FIG. 1
 GRF1-J-P-04-E-ST-TH1 SHOWN

NOTES:
 1. Ⓢ REPRESENTS A CRITICAL DIMENSION.
 2. MINIMUM PUSHOUT FORCE: 2.22N [.5 LB].

UNLESS OTHERWISE SPECIFIED, DIMENSIONS ARE IN MILLIMETERS. TOLERANCES ARE:
 DECIMALS ANGLES
 X.X: ±0.3 2°
 X.XX: ±0.13
 X.XXX: ±0.050

PROPRIETARY NOTE
 THIS DOCUMENT CONTAINS INFORMATION CONFIDENTIAL AND PROPRIETARY TO SAMTEC, INC. AND SHALL NOT BE REPRODUCED OR TRANSFERRED TO OTHER DOCUMENTS OR DISCLOSED TO OTHERS OR USED FOR ANY PURPOSE OTHER THAN THAT WHICH IT WAS OBTAINED WITHOUT THE EXPRESSED WRITTEN CONSENT OF SAMTEC, INC.



520 PARK EAST BLVD, NEW ALBANY, IN 47150
 PHONE: 812-944-6733 FAX: 812-948-5047
 e-Mail: info@SAMTEC.com code: 55322

MATERIAL:
 INSULATOR: L.C.P. COLOR: BLACK
 SHELL: BRASS
 PIN: BeCu
 INSULATOR: TEFLON

DO NOT SCALE DRAWING SHEET SCALE: 3:1

DESCRIPTION: GANGED RF JACK CONNECTOR

DWG. NO. GRF1-J-P-XX-X-XX-XXX-X

BY: CHAD F 9/3/2004 SHEET 1 OF 2

勝特力材料 886-3-5753170
 勝特力电子(上海) 86-21-34970699
 勝特力电子(深圳) 86-755-83298787
[Http://www.100y.com.tw](http://www.100y.com.tw)

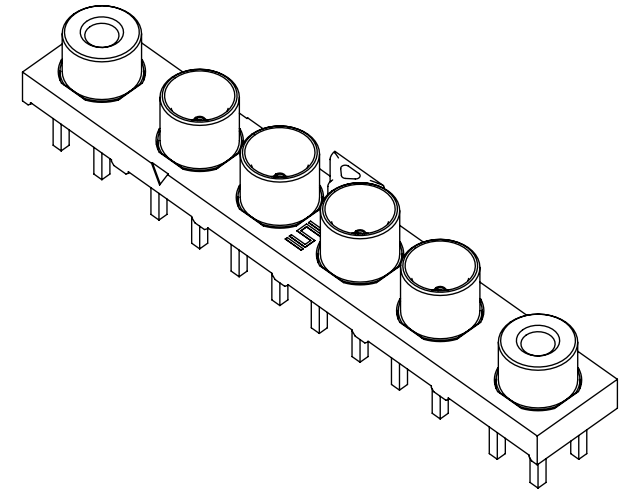
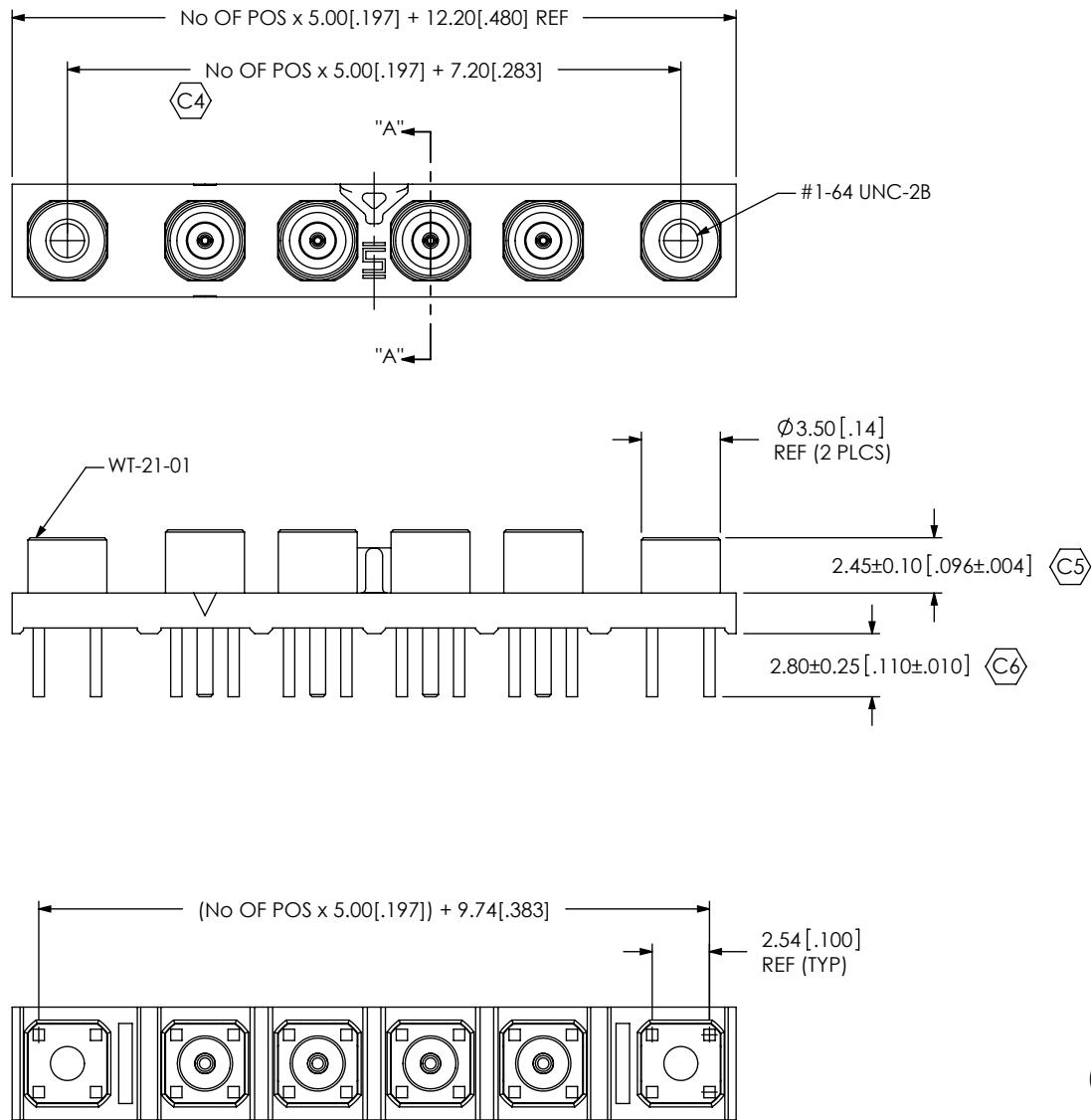


FIG. 2
 GRF1-J-P-04-E-ST-TH1-E SHOWN
 (SAME AS FIG.1, UNLESS OTHERWISE STATED)

PROPRIETARY NOTE
 THIS DOCUMENT CONTAINS INFORMATION CONFIDENTIAL AND PROPRIETARY TO SAMTEC, INC. AND SHALL NOT BE REPRODUCED OR TRANSFERRED TO OTHER DOCUMENTS OR DISCLOSED TO OTHERS OR USED FOR ANY PURPOSE OTHER THAN THAT WHICH IT WAS OBTAINED WITHOUT THE EXPRESSED WRITTEN CONSENT OF SAMTEC, INC.

DO NOT SCALE DRAWING

SHEET SCALE: 3:1

samtec

520 PARK EAST BLVD, NEW ALBANY, IN 47150
 PHONE: 812-944-6733 FAX: 812-948-5047
 e-Mail: info@SAMTEC.com code: 55322

DESCRIPTION: GANGED RF JACK CONNECTOR

DWG. NO. GRF1-J-P-XX-X-XX-XXX-X

BY: CHAD F 9/3/2004 SHEET 2 OF 2