

DO NOT SCALE FROM THIS PRINT

TABLE 1			
ITEM	COMPONENT	-HF	-GF
1	SHELL	GRF7V-J-P-F-ST-TH1-SHL	
2	SOCKET	GRF7-J-P-H-ST-TH1-SKT	GRF7-J-P-G-ST-TH1-SKT
3	INSULATOR	GRF7-J-P-ST-INS	

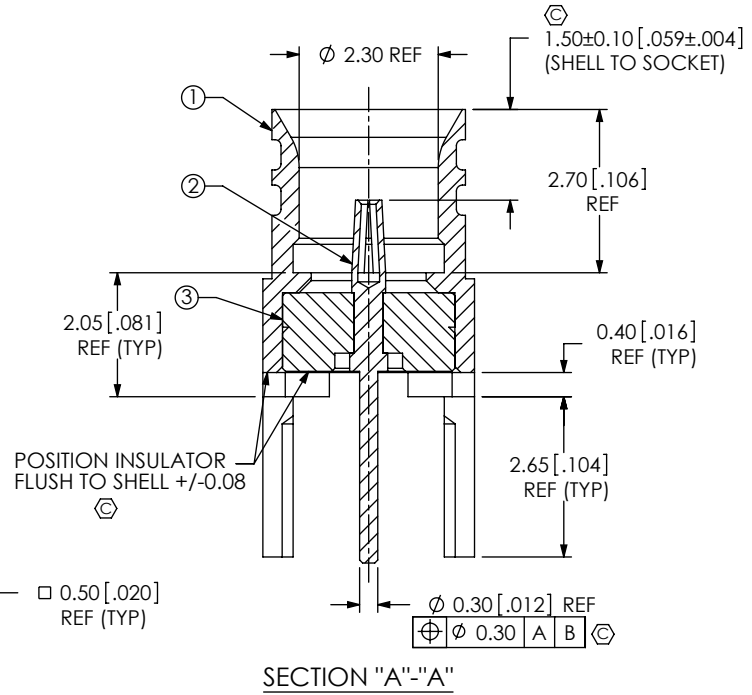
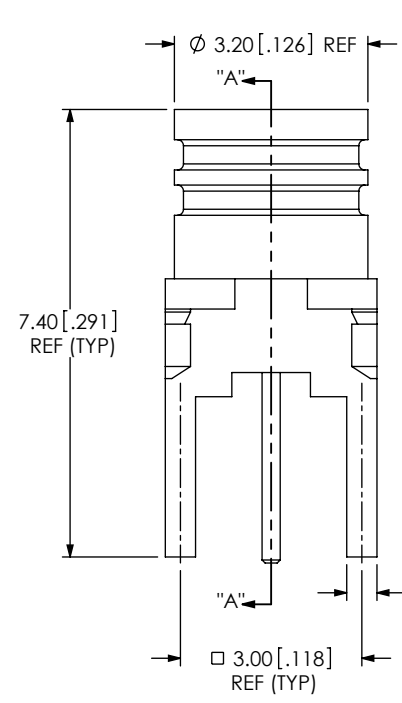
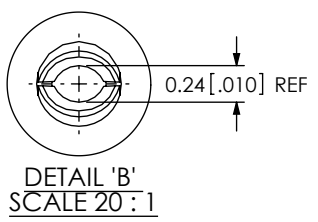
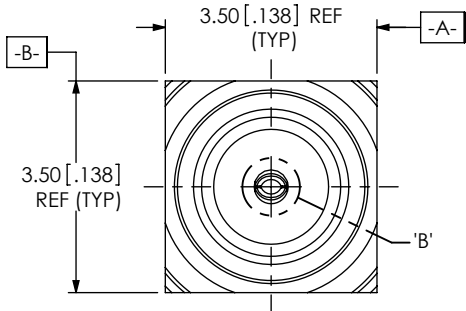


FIG 1
MMCX7-J-P-XX-ST-TH1-ASM SHOWN

MMCX7-J-P-XX-ST-TH1

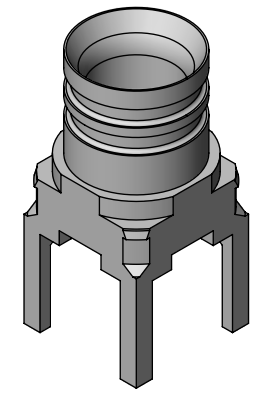
TERMINATION
-TH1: THROUGH HOLE

ORIENTATION
-ST: STRAIGHT

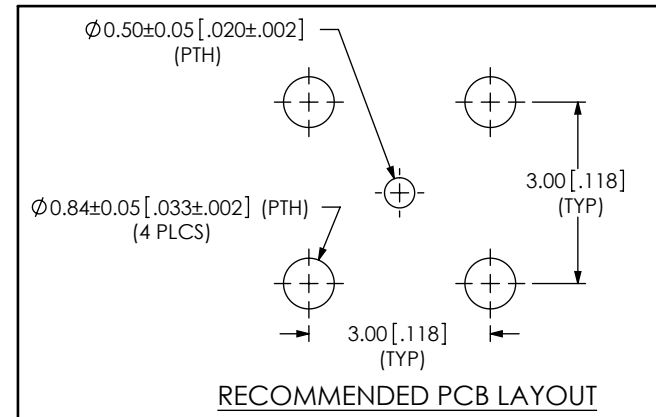
GENDER
-J: JACK

TYPE
-P: PCB

PLATING SPECIFICATION
-HF: 30μ" GOLD CENTER CONTACT,
3μ" GOLD OUTER CONTACT
-GF: 10μ" GOLD CENTER CONTACT,
3μ" GOLD OUTER CONTACT
(SEE TABLE 1)



MMCX7-J-P-XX-ST-TH1-ASM SHOWN



RECOMMENDED PCB LAYOUT

- NOTES:
- ① REPRESENTS A CRITICAL DIMENSION.
 - MINIMUM PUSHOUT FORCE FOR INSULATOR: 22.24N [5.0 LBS].
 - MINIMUM PUSHOUT FORCE FOR CENTER CONTACT: 11.12N [2.5 LBS].
 - PRODUCT TO BE PACKAGED PER PACKING STANDARD CO-HD-WI-3040-M.
- TRAY: TY-SMA001-1
COVER: TY-SMA001-2
200 PARTS PER TRAY (2 PARTS PER POCKET)

勝特力材料 886-3-5753170
勝特力电子(上海) 86-21-34970699
勝特力电子(深圳) 86-755-83298787
[Http://www.100y.com.tw](http://www.100y.com.tw)

UNLESS OTHERWISE SPECIFIED, DIMENSIONS ARE IN MILLIMETERS [INCHES].

TOLERANCES ARE:
 DECIMALS ANGLES
 X.X: ±0.3 [.01] 5°
 X.XX: ±0.13 [.005]
 X.XXX: ±0.051 [.0020]

PROPRIETARY NOTE
 THIS DOCUMENT CONTAINS INFORMATION CONFIDENTIAL AND PROPRIETARY TO SAMTEC, INC. AND SHALL NOT BE REPRODUCED OR TRANSFERRED TO OTHER DOCUMENTS OR DISCLOSED TO OTHERS OR USED FOR ANY PURPOSE OTHER THAN THAT WHICH IT WAS OBTAINED WITHOUT THE EXPRESSED WRITTEN CONSENT OF SAMTEC, INC.

samtec
 520 PARK EAST BLVD., NEW ALBANY, IN 47150
 PHONE: 812-944-6733 FAX: 812-948-5047
 e-Mail: info@SAMTEC.com code 55322

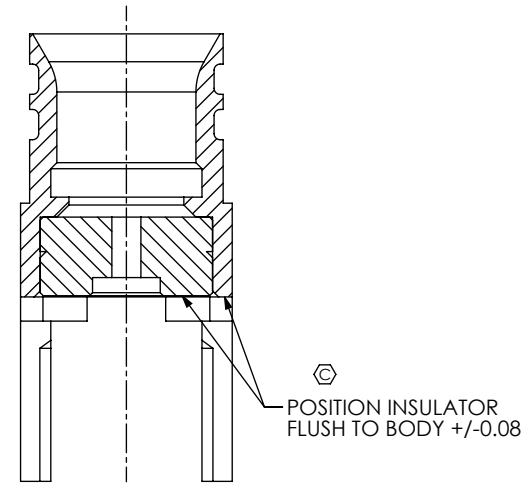
MATERIAL: SHELL: BRASS
 SOCKET: BeCu
 INSULATOR: PTFE

DO NOT SCALE DRAWING SHEET SCALE: 8:1

DESCRIPTION: MMCX STRAIGHT THROUGH HOLE, JACK- 75 OHM


DWG. NO. **MMCX7-J-P-XX-ST-TH1**

BY: ALVINW 10/08/2011 SHEET 1 OF 2



IN PROCESS 1
INSERT INSULATOR

勝特力材料 886-3-5753170
 勝特力电子(上海) 86-21-34970699
 勝特力电子(深圳) 86-755-83298787
[Http://www.100y.com.tw](http://www.100y.com.tw)

<p>PROPRIETARY NOTE THIS DOCUMENT CONTAINS INFORMATION CONFIDENTIAL AND PROPRIETARY TO SAMTEC, INC. AND SHALL NOT BE REPRODUCED OR TRANSFERRED TO OTHER DOCUMENTS OR DISCLOSED TO OTHERS OR USED FOR ANY PURPOSE OTHER THAN THAT WHICH IT WAS OBTAINED WITHOUT THE EXPRESSED WRITTEN CONSENT OF SAMTEC, INC.</p> <p>DO NOT SCALE DRAWING</p> <p>SHEET SCALE: 8:1</p>		
	<p>520 PARK EAST BLVD, NEW ALBANY, IN 47150 PHONE: 812-944-6733 FAX: 812-948-5047 e-Mail info@SAMTEC.com code 55322</p>	
	<p>DESCRIPTION: MMCX STRAIGHT THROUGH HOLE, JACK- 75 OHM</p> <p>DWG. NO. MMCX7-J-P-XX-ST-TH1</p>	
BY: ALVINW	10/08/2011	SHEET 2 OF 2